

STR-DA5400ES

SERVICE MANUAL

Ver. 1.0 2008.08

US Model
Canadian Model
AEP Model
UK Model



• "Neural-THX" and "neural THX" introduced in the Operating Instructions and displayed in the display window and on the GUI menu screen mean Neural-THX Surround.

This receiver incorporates Dolby® Digital and Pro Logic Surround and the DTS** Digital Surround System.

* Manufactured under license from Dolby Laboratories.

Dolby, Pro Logic, Surround EX, and the double-D symbol are trademarks of Dolby Laboratories.

** Manufactured under license under U.S. Patent # s 5,451,942; 5,956,674; 5,974,380; 5,978,762; 6,226,616; 6,487,535 & other U.S. and worldwide patents issued & pending. DTS is a registered trademark and the DTS logos, Symbol, DTS-HD and DTS-HD Master Audio are trademarks of DTS, Inc. © 1996-2007 DTS, Inc. All Rights Reserved.

This receiver incorporates High-Definition Multimedia Interface (HDMI™) technology.

HDMI, the HDMI logo and High-Definition Multimedia Interface are trademarks or registered trademarks of HDMI Licensing LLC.

XM Ready® is a registered trademark of XM Satellite Radio Inc. All rights reserved.

©2008 SIRIUS Satellite Radio Inc. "SIRIUS" and the SIRIUS dog logo are registered trademarks of SIRIUS Satellite Radio Inc.

This product using Neural-THX® Surround is manufactured under license from Neural Audio Corporation and THX Ltd. Sony Corporation hereby grants the user a non-exclusive, non-transferable, limited right of use to this product under USA and foreign patent, patent pending and other technology or trademarks owned by Neural Audio Corporation and THX Ltd. "Neural Surround", "Neural Audio", "Neural" and "NRL" are trademarks and logos owned by Neural Audio Corporation, THX is a trademark of THX Ltd., which may be registered in some jurisdictions. All rights reserved.

The font type (Shin Go R) installed in this receiver is provided by MORISAWA & COMPANY LTD.

These names are the trademarks of MORISAWA & COMPANY LTD., and the copyright of the font also belongs to MORISAWA & COMPANY LTD.

iPod is a trademark of Apple Inc., registered in the U.S. and other countries.

All other trademarks and registered trademarks are of their respective holders. In this manual, ™ and ® marks are not specified.

The Bluetooth word mark and logos are owned by the Bluetooth SIG, Inc. and any use of such marks by Sony Corporation is under license. Other trademarks and trade names are those of their respective owners.

"M-crew Server" is a trademark of Sony Corporation.

"BRAVIA" is a trademark of Sony Corporation.

SPECIFICATIONS

AUDIO POWER SPECIFICATIONS

POWER OUTPUT AND TOTAL HARMONIC DISTORTION: (US model)

With 8 ohm loads, both channels driven, from 20 – 20,000 Hz; rated 120 watts per channel minimum RMS power, with no more than 0.09% total harmonic distortion from 250 milliwatts to rated output.

Amplifier section

POWER OUTPUT

Rated Power Output at Stereo Mode¹⁾²⁾
(8 ohms 20 Hz – 20 kHz,
THD 0.09%)
120 W + 120 W

Reference Power Output at Stereo Mode
(4 ohms 20 Hz – 20 kHz,
THD 0.15%)
120 W + 120 W

Reference Power Output

(8 ohms 1 kHz, THD 0.7%)
FRONT²⁾
130 W + 130 W
CENTER²⁾ 130 W
SURROUND²⁾
130 W + 130 W
SURROUND BACK²⁾
130 W + 130 W

Reference Power Output

(4 ohms 1 kHz, THD 0.7%)
FRONT²⁾
120 W + 120 W
CENTER²⁾ 120 W
SURROUND²⁾
120 W + 120 W
SURROUND BACK²⁾
120 W + 120 W

¹⁾ Depending on the sound field settings and the source, there may be no sound output.

²⁾ Measured under the following conditions:
Power requirements: 120 V AC, 60 Hz (in U.S.A. and Canada), 230 V AC, 50/60 Hz (in Europe and general area)

Frequency response

PHONO	RIAA equalization curve ± 0.5 dB
MULTI CHANNEL INPUT, SA-CD/CD, TAPE, MD, TV, VIDEO 1/2, BD, DVD, SAT	10 Hz – 100 kHz ± 3 dB

Inputs (Analog)

PHONO	Sensitivity: 2.5 mV Impedance: 50 kohms S/N: 90 dB (A, 20 kHz LPF)
MULTI CHANNEL INPUT, SA-CD/CD, TAPE, MD, TV, VIDEO 1/2, BD, DVD, SAT	Sensitivity: 150 mV Impedance: 50 kohms S/N: 100 dB (A, 20 kHz LPF)

Inputs (Digital)

BD, DVD, SA-CD/CD (Coaxial)	Impedance: 75 ohms S/N: 96 dB (A, 20 kHz LPF)
VIDEO 1, TV, SAT, TAPE, MD (Optical)	S/N: 96 dB (A, 20 kHz LPF)

Outputs

TAPE (REC OUT), MD (REC OUT), VIDEO 1, ZONE 2, ZONE 3 (AUDIO OUT)	Voltage: 150 mV Impedance: 1 kohm
FRONT L/R, CENTER, SURROUND L/R, SURROUND BACK L/R, SUBWOOFER	Voltage: 2 V Impedance: 1 kohm

FM tuner section

Tuning range	87.5 – 108.0 MHz
Antenna (aerial)	FM wire antenna (aerial) terminals
Antenna (aerial) terminals	75 ohms, unbalanced

AM tuner section

Tuning range	Tuning scale	
Area	10 kHz step	9 kHz step
U.S.A., Canada	530 – 1,710 kHz	531 – 1,710 kHz
Europe	–	531 – 1,602 kHz

Intermediate frequency

450 kHz
Antenna (aerial) Loop antenna (aerial)

Video section

Inputs/Outputs	
Video	1 V p-p, 75 ohms
COMPONENT VIDEO	Y 1 V p-p, 75 ohms P _B /C _B 0.7 V p-p, 75 ohms P _R /C _R 0.7 V p-p, 75 ohms 80 MHz HD Pass Through

HDMI Video

Input/Output (HDMI Repeater block)

640 × 480p@60 Hz
720 × 480p@59.94/60 Hz
1280 × 720p@59.94/60 Hz
1280 × 720p@59.94/60 Hz
1920 × 1080i@59.94/60 Hz
720 × 576p@50 Hz
1280 × 720p@50 Hz
1920 × 1080i@50 Hz
1920 × 1080p@50 Hz
1920 × 1080p@24 Hz

General

Power requirements	120 V AC, 60 Hz (in U.S.A. and Canada)
	230 V AC, 50/60 Hz (in Europe and general area)

Power output (DIGITAL MEDIA PORT)	DC OUT 5 V, 700 mA
Power output (ZONE 2 VIDEO OUT)	DC OUT 11 V, 30 mA

Power consumption

Area	
U.S.A.	480 W
Canada	580 VA
Europe	480 W

Power consumption (during standby mode)

0.9 W (when "Control for HDMI" and "RS-232C Control" are set to "OFF")

Dimensions 430 × 175 × 430 mm (17 × 6 7/8 × 17 inches) (width/height/depth) including projecting parts and controls

Mass (Approx.) 16.5 kg (36 lb 7 oz)

Supplied accessories

Operating Instructions
Quick Setup Guide (1)
GUI Menu List (1)
Optimizer microphone ECM-AC1 (1)
FM wire antenna (aerial) (1)
AM loop antenna (aerial) (1)
AC power cord (mains lead) (1)
Main remote commander (1)
Zone 2/Zone 3 remote commander (1)
R6 (size-AA) batteries (4)

Design and specifications are subject to change without notice.

MULTI CHANNEL AV RECEIVER

9-889-212-01

2008H05-1

© 2008.08

Sony Corporation

Audio&Video Business Group

Published by Sony Techno Create Corporation

SONY®

NOTES ON CHIP COMPONENT REPLACEMENT

- Never reuse a disconnected chip component.
- Notice that the minus side of a tantalum capacitor may be damaged by heat.

SAFETY CHECK-OUT

After correcting the original service problem, perform the following safety check before releasing the set to the customer: Check the antenna terminals, metal trim, “metallized” knobs, screws, and all other exposed metal parts for AC leakage. Check leakage as described below.

LEAKAGE TEST

The AC leakage from any exposed metal part to earth ground and from all exposed metal parts to any exposed metal part having a return to chassis, must not exceed 0.5 mA (500 microamperes.). Leakage current can be measured by any one of three methods.

1. A commercial leakage tester, such as the Simpson 229 or RCA WT-540A. Follow the manufacturers’ instructions to use these instruments.
2. A battery-operated AC milliammeter. The Data Precision 245 digital multimeter is suitable for this job.
3. Measuring the voltage drop across a resistor by means of a VOM or battery-operated AC voltmeter. The “limit” indication is 0.75 V, so analog meters must have an accurate low-voltage scale. The Simpson 250 and Sanwa SH-63Trd are examples of a passive VOM that is suitable. Nearly all battery operated digital multimeters that have a 2 V AC range are suitable. (See Fig. A)

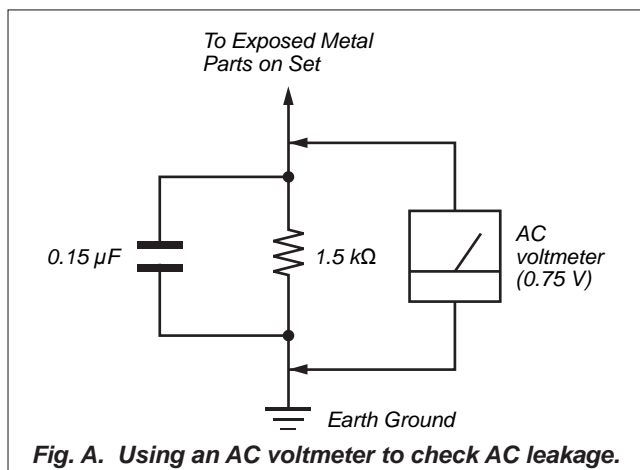


Fig. A. Using an AC voltmeter to check AC leakage.

SAFETY-RELATED COMPONET WARNING!

COMPONENTS IDENTIFIED BY MARK \triangle OR DOTTED LINE WITH MARK \triangle ON THE SCHEMATIC DIAGRAMS AND IN THE PARTS LIST ARE CRITICAL TO SAFE OPERATION. REPLACE THESE COMPONENTS WITH SONY PARTS WHOSE PART NUMBERS APPEAR AS SHOWN IN THIS MANUAL OR IN SUPPLEMENTS PUBLISHED BY SONY.

ATTENTION AU COMPOSANT AYANT RAPPORT À LA SÉCURITÉ!

LES COMPOSANTS IDENTIFIÉS PAR UNE MARQUE \triangle SUR LES DIAGRAMMES SCHÉMATIQUES ET LA LISTE DES PIÈCES SONT CRITIQUES POUR LA SÉCURITÉ DE FONCTIONNEMENT. NE REMPLACER CES COMPOSANTS QUE PAR DES PIÈCES SONY DONT LES NUMÉROS SONT DONNÉS DANS CE MANUEL OU DANS LES SUPPLÉMENTS PUBLIÉS PAR SONY.

TABLE OF CONTENTS

1. SERVICING NOTES	4
2. GENERAL	10
3. DISASSEMBLY	
3-1. Disassembly Flow	15
3-2. Case	16
3-3. Tuner (FM/AM), SPTM Board	16
3-4. DSP/DIGITAL/CIS/CONTROL Boards.....	17
3-5. D VIDEO/DMPORT Boards	17
3-6. Front Panel Block	18
3-7. A-VIDEO Board	18
3-8. ANALOG Board.....	19
3-9. Heat Sink Block	19
3-10. Power Transformer (T1), E-VOL/MAIN Boards	20
4. TEST MODE	21
5. ELECTRICAL ADJUSTMENTS	25
6. DIAGRAMS	
6-1. Block Diagram - CONTROL Section -.....	27
6-2. Block Diagram - DSP Section -	28
6-3. Block Diagram - DIGITAL AUDIO Section -.....	29
6-4. Block Diagram - HDMI Section (1/2) -	30
6-5. Block Diagram - HDMI Section (2/2) -	31
6-6. Block Diagram - VIDEO PROCESS Section -.....	32
6-7. Block Diagram - ANALOG AUDIO Section (1/2) -	33
6-8. Block Diagram - ANALOG AUDIO Section (2/2) -	34
6-9. Block Diagram - POWER AMP Section -	35
6-10. Block Diagram - VIDEO Section -	36
6-11. Block Diagram - PANEL, CIS, XM/ SIRIUS RECEIVER, DMPORT Section -.....	37
6-12. Block Diagram - POWER SUPPLY Section -	38
6-13. Printed Wiring Board - MAIN Board (Component Side) -	40
6-14. Printed Wiring Board - MAIN Board (Conductor Side) -	41
6-15. Schematic Diagram - MAIN Board (1/3) -	42
6-16. Schematic Diagram - MAIN Board (2/3) -	43
6-17. Schematic Diagram - MAIN Board (3/3) -	44
6-18. Schematic Diagram - DIGITAL Board (1/3) -	45
6-19. Schematic Diagram - DIGITAL Board (2/3) -	46
6-20. Schematic Diagram - DIGITAL Board (3/3) -	47
6-21. Printed Wiring Board - DIGITAL Board (Component Side) -	48
6-22. Printed Wiring Board - DIGITAL Board (Conductor Side) -	49
6-23. Printed Wiring Board - DSP Board (Component Side) -	50
6-24. Printed Wiring Board - DSP Board (Conductor Side) -	51
6-25. Schematic Diagram - DSP Board (1/4) -	52
6-26. Schematic Diagram - DSP Board (2/4) -	53
6-27. Schematic Diagram - DSP Board (3/4) -	54
6-28. Schematic Diagram - DSP Board (4/4) -	55
6-29. Printed Wiring Board - ANALOG Board (Component Side) -	56
6-30. Printed Wiring Board - ANALOG Board (Conductor Side) -	57
6-31. Schematic Diagram - ANALOG Board (1/4) -	58
6-32. Schematic Diagram - ANALOG Board (2/4) -	59
6-33. Schematic Diagram - ANALOG Board (3/4) -	60
6-34. Schematic Diagram - ANALOG Board (4/4) -	61
6-35. Printed Wiring Board - E-VOL Board -	62

6-36. Schematic Diagram - E-VOL Board (1/2) -	63
6-37. Schematic Diagram - E-VOL Board (2/2) -	64
6-38. Schematic Diagram - A CLASS AMP Board (1/2) -	65
6-39. Schematic Diagram - A CLASS AMP Board (2/2) -	66
6-40. Printed Wiring Board - A CLASS AMP Board -	67
6-41. Printed Wiring Board - DMPORT Board -	68
6-42. Schematic Diagram - DMPORT Board -	69
6-43. Printed Wiring Board - POWER AMP Board -	70
6-44. Schematic Diagram - POWER AMP Board -	71
6-45. Printed Wiring Board - SPTM Board -	72
6-46. Schematic Diagram - SPTM Board -	73
6-47. Printed Wiring Board	
- D VIDEO Board (Component Side) -	74
6-48. Printed Wiring Board	
- D VIDEO Board (Conductor Side) -	75
6-49. Schematic Diagram - D VIDEO Board (1/10) -	76
6-50. Schematic Diagram - D VIDEO Board (2/10) -	77
6-51. Schematic Diagram - D VIDEO Board (3/10) -	78
6-52. Schematic Diagram - D VIDEO Board (4/10) -	79
6-53. Schematic Diagram - D VIDEO Board (5/10) -	80
6-54. Schematic Diagram - D VIDEO Board (6/10) -	81
6-55. Schematic Diagram - D VIDEO Board (7/10) -	82
6-56. Schematic Diagram - D VIDEO Board (8/10) -	83
6-57. Schematic Diagram - D VIDEO Board (9/10) -	84
6-58. Schematic Diagram - D VIDEO Board (10/10) -	85
6-59. Printed Wiring Board	
- A-VIDEO Board (Component Side) -	86
6-60. Printed Wiring Board	
- A-VIDEO Board (Conductor Side) -	87
6-61. Schematic Diagram - A-VIDEO Board (1/2) -	88
6-62. Schematic Diagram - A-VIDEO Board (2/2) -	89
6-63. Printed Wiring Boards - CONNECTOR Section -	90
6-64. Schematic Diagram - CONNECTOR Section -	91
6-65. Printed Wiring Board - BIAS Board -	92
6-66. Schematic Diagram - BIAS Board -	93
6-67. Printed Wiring Board - PROTECTOR (F-C) Board -	94
6-68. Schematic Diagram - PROTECTOR (F-C) Board -	95
6-69. Printed Wiring Boards	
- PROTECTOR (SB/SURR) Section -	96
6-70. Schematic Diagram	
- PROTECTOR (SB/SURR) Section -	96
6-71. Printed Wiring Board - VIDEO 3 Board -	97
6-72. Schematic Diagram - VIDEO 3 Board -	97
6-73. Schematic Diagram - CIS Board -	98
6-74. Printed Wiring Board - CIS Board -	99
6-75. Printed Wiring Board	
- TEMPERATURE DETECTION Board -	99
6-76. Schematic Diagram	
- TEMPERATURE DETECTION Board -	99
6-77. Printed Wiring Board	
- CONTROL Board (Component Side) -	100
6-78. Printed Wiring Board	
- CONTROL Board (Conductor Side) -	101
6-79. Schematic Diagram - CONTROL Board (1/2) -	102
6-80. Schematic Diagram - CONTROL Board (2/2) -	103
6-81. Printed Wiring Board - DISPLAY Board -	104
6-82. Schematic Diagram - DISPLAY Board -	105
6-83. Printed Wiring Boards - PANEL Section -	106
6-84. Schematic Diagram - PANEL Section -	106
6-85. Printed Wiring Boards - DCDC Section -	108
6-86. Schematic Diagram - DCDC Section -	109
6-87. Printed Wiring Boards - POWER SUPPLY Section -	110
6-88. Schematic Diagram - POWER SUPPLY Section -	111

7. EXPLODED VIEWS

7-1. Case Section.....	161
7-2. DIGITAL Board Section	162
7-3. D VIDEO Board Section	163
7-4. DISPLAY Board Section	164
7-5. Front Panel Section	165
7-6. A-VIDEO Board Section	166
7-7. ANALOG Board Section.....	167
7-8. Heat Sink Section.....	168
7-9. MAIN Board Section	169

8. ELECTRICAL PARTS LIST 170

Accessories are given in the last of the electrical parts list.

SECTION 1 SERVICING NOTES

UNLEADED SOLDER

Boards requiring use of unleaded solder are printed with the lead-free mark (LF) indicating the solder contains no lead.

(Caution: Some printed circuit boards may not come printed with the lead free mark due to their particular size)

LF : LEAD FREE MARK

Unleaded solder has the following characteristics.

- Unleaded solder melts at a temperature about 40 °C higher than ordinary solder.

Ordinary soldering irons can be used but the iron tip has to be applied to the solder joint for a slightly longer time.

Soldering irons using a temperature regulator should be set to about 350 °C.

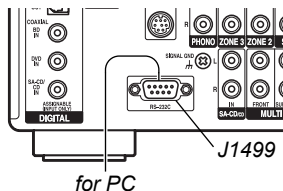
Caution: The printed pattern (copper foil) may peel away if the heated tip is applied for too long, so be careful!

- Strong viscosity
Unleaded solder is more viscous (sticky, less prone to flow) than ordinary solder so use caution not to let solder bridges occur such as on IC pins, etc.
- Usable with ordinary solder
It is best to use only unleaded solder but unleaded solder may also be added to ordinary solder.

UPDATE OF SOFTWARE OF IC2513 ON THE CONTROL BOARD, IC3610 ON THE D VIDEO BOARD AND IC5208 ON THE DSP BOARD

Perform operation of the following when the update of software of the IC2513 on the CONTROL board, IC3610 on the D VIDEO board and IC5208 on the DSP board is necessary.

Connect:



Procedure:

1. Connect J1499 on the MAIN board and PC by using the RS-232C cable.
2. Turn on the main power.
3. The update is executed by using PC.
4. When the update ends, turn off the main power.
5. Remove the RS-232C cable from the J1499 on the MAIN board and PC.

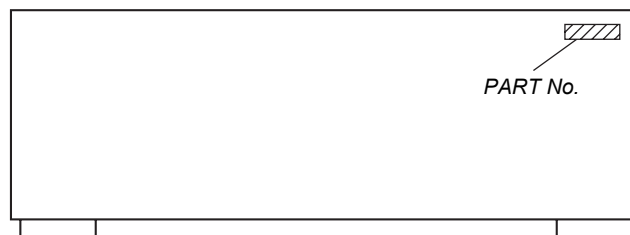
ERROR MESSAGES

If there is a malfunction, the display shows a code of two numbers and a message. You can check the condition of the system by the message. Refer to the following table to solve the problem.

messages	cause and response
PROTECTOR	Irregular current is output to the speakers, or the upper panel of the receiver is covered with something. The receiver will automatically turn off after a few seconds. Check the speakers connection and turn on the power again.

MODEL IDENTIFICATION

– Back Panel –



Model	Part No.
US and Canadian models	3-296-122-0□
AEP model	3-296-122-1□
Continental European, East European and Russian models	3-296-122-2□
UK model	3-296-122-5□

NOTE OF REPLACING THE IC3601 ON THE D VIDEO BOARD

Replacement of IC3601 on the D VIDEO board used in this set requires a special tool.

NOTE OF REPLACING THE IC3511, IC3513 AND IC3514 ON THE D VIDEO BOARD

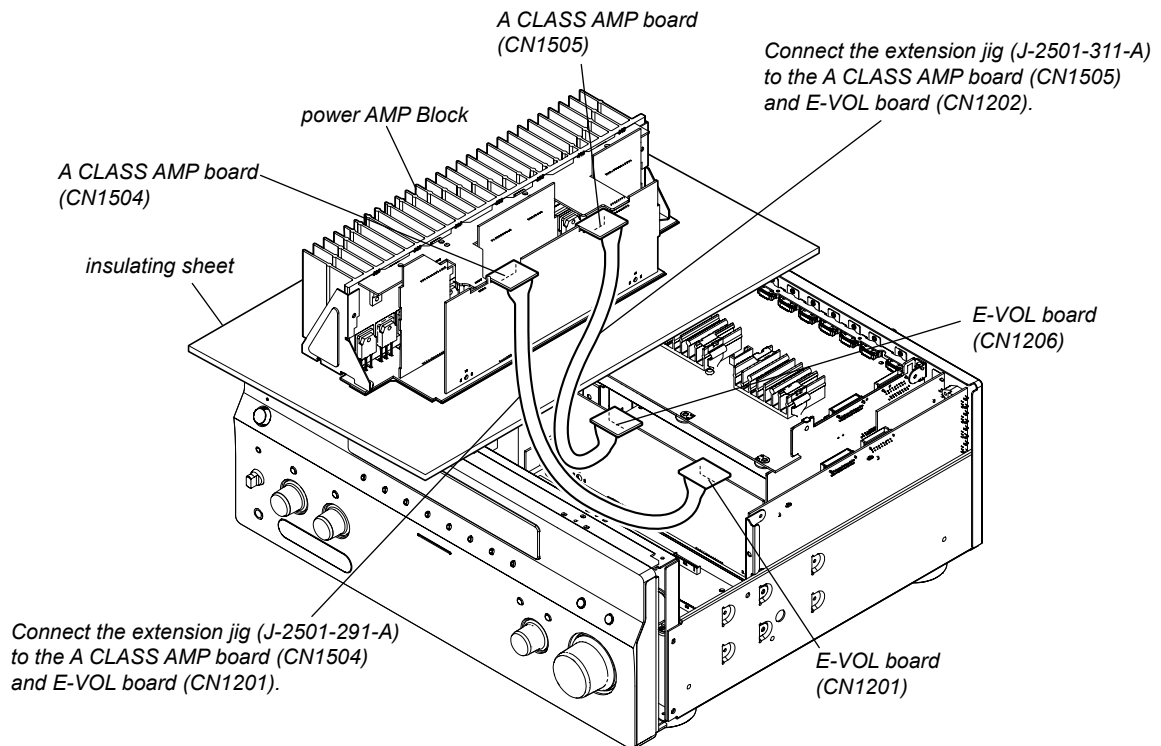
IC3511, IC3513 and IC3514 on the D VIDEO board cannot exchange with single. When these parts on the D VIDEO board are damaged, exchange the entire mounted board.

NOTE OF REPLACING THE IC5002 AND IC5202 ON THE DSP BOARD

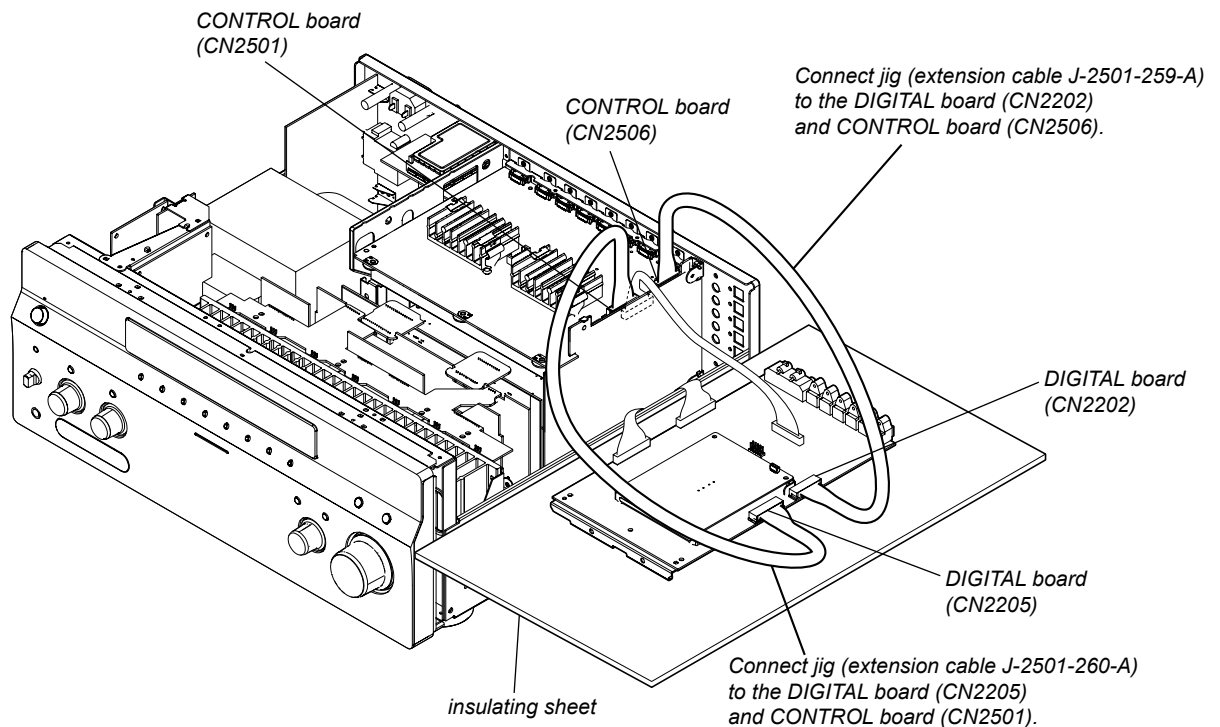
IC5002 and IC5202 on the DSP board cannot exchange with single. When these parts on the DSP board are damaged, exchange the entire mounted board.

POWER AMP BLOCK SERVICE POSITION

In checking the Power AMP block, prepare jig (extension cable J-2501-291-A: 2 mm Pitch, 12 cores, Length 300 mm/J-2501-311-A: 2 mm Pitch, 15 cores, Length 300 mm).

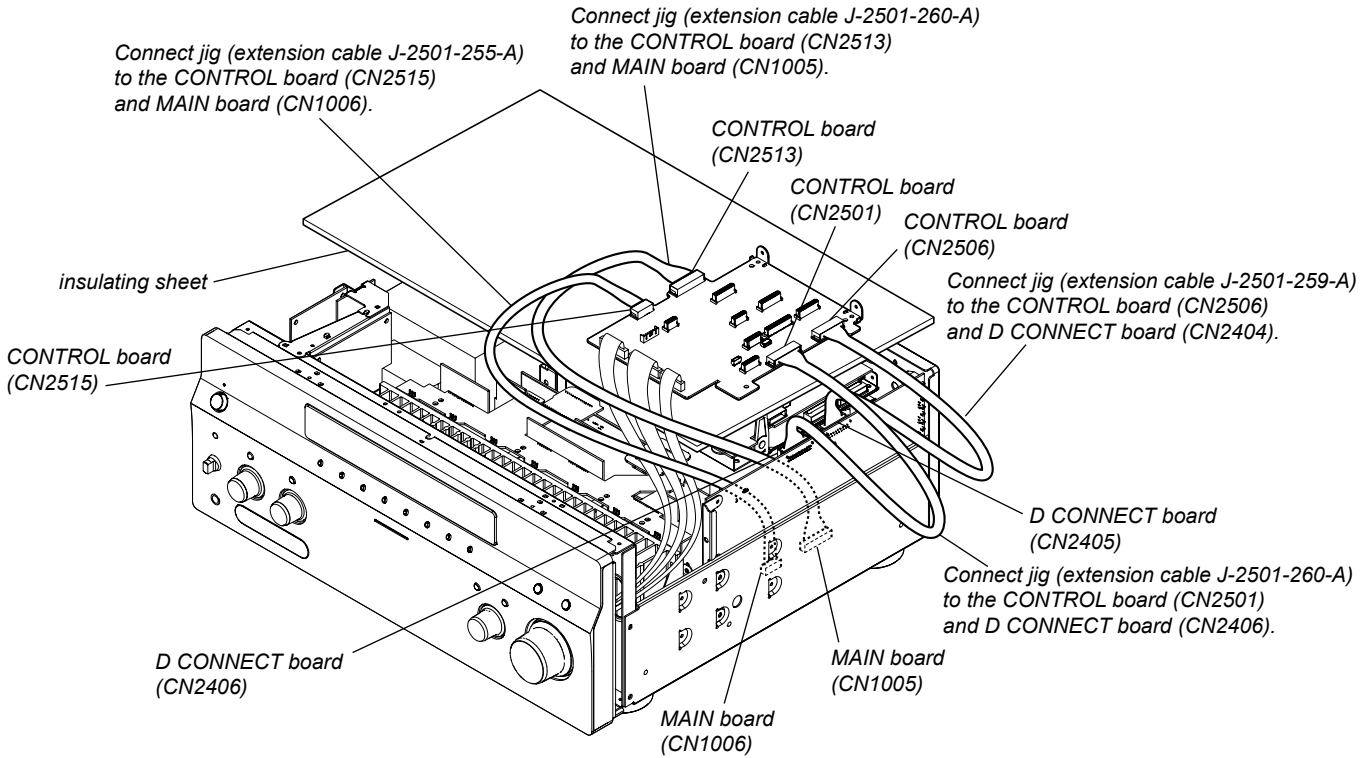
**DIGITAL BOARD SERVICE POSITION**

In checking the DIGITAL board, prepare jig (extension cable J-2501-259-A: 1.25 mm Pitch, 11 cores, Length 300 mm/J-2501-260-A: 1.25 mm Pitch, 20 cores, Length 300 mm).



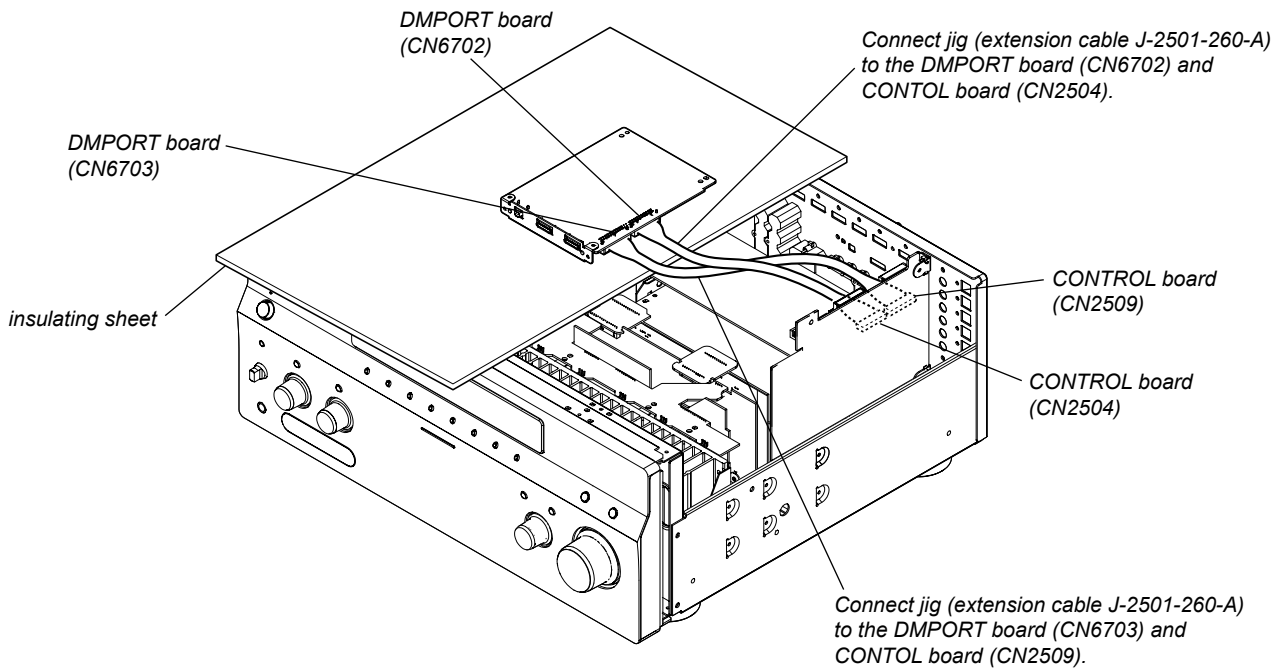
CONTROL BOARD SERVICE POSITION

In checking the CONTROL board, prepare jig (extension cable J-2501-255-A: 1.25 mm Pitch, 10 cores, Length 300 mm/J-2501-259-A: 1.25 mm Pitch, 18 cores, Length 300 mm/J-2501-260-A: 1.25 mm Pitch, 20 cores, Length 300 mm).



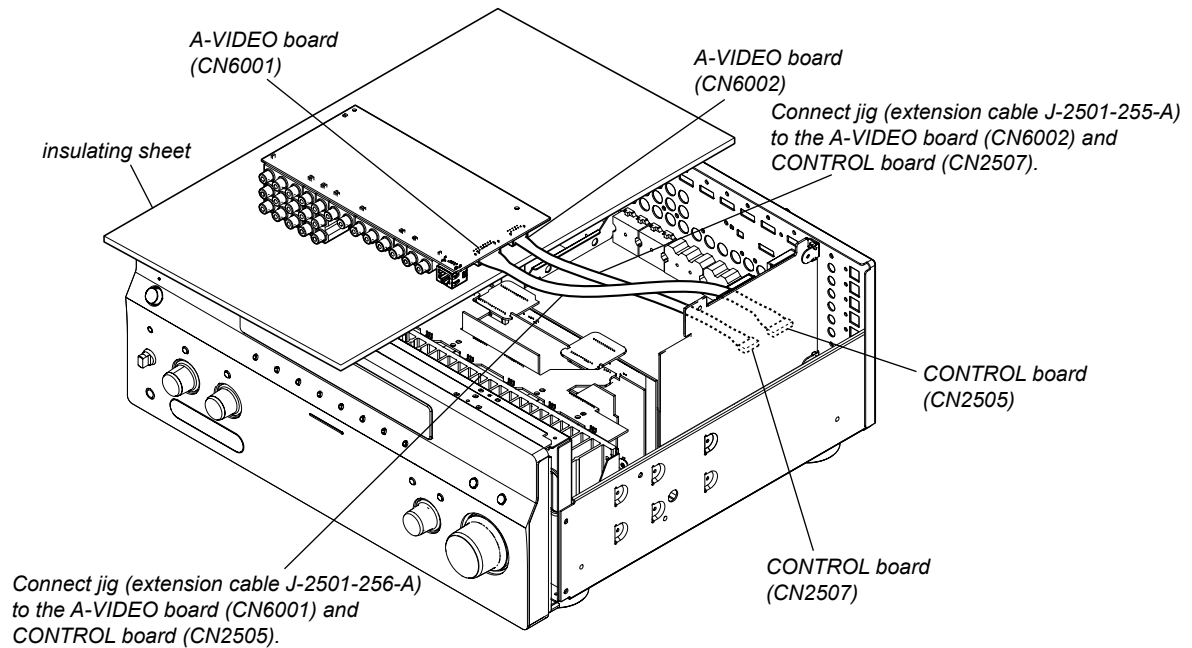
DMPORT BOARD SERVICE POSITION

In checking the DMPORT board, prepare jig (extension cable J-2501-260-A: 1.25 mm Pitch, 20 cores, Length 300 mm).

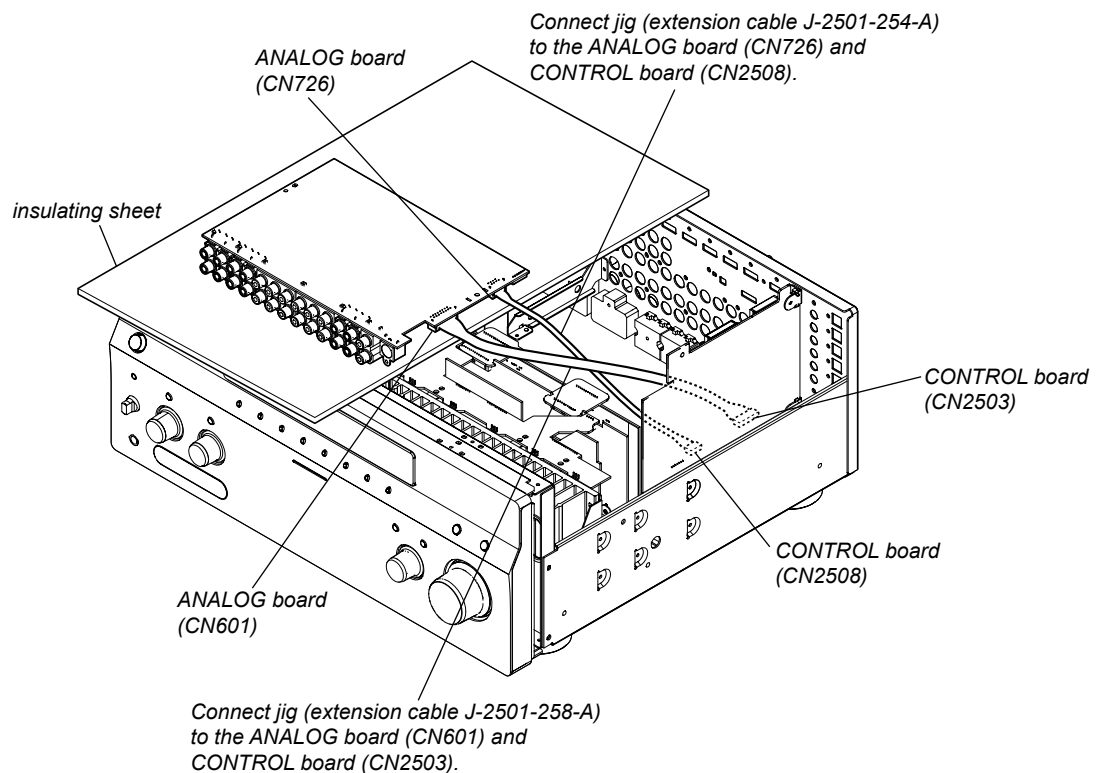


A-VIDEO BOARD SERVICE POSITION

In checking the A-VIDEO board, prepare jig (extension cable J-2501-255-A: 1.25 mm Pitch, 10 cores, Length 300 mm/J-2501-256-A: 1.25 mm Pitch, 12 cores, Length 300 mm).

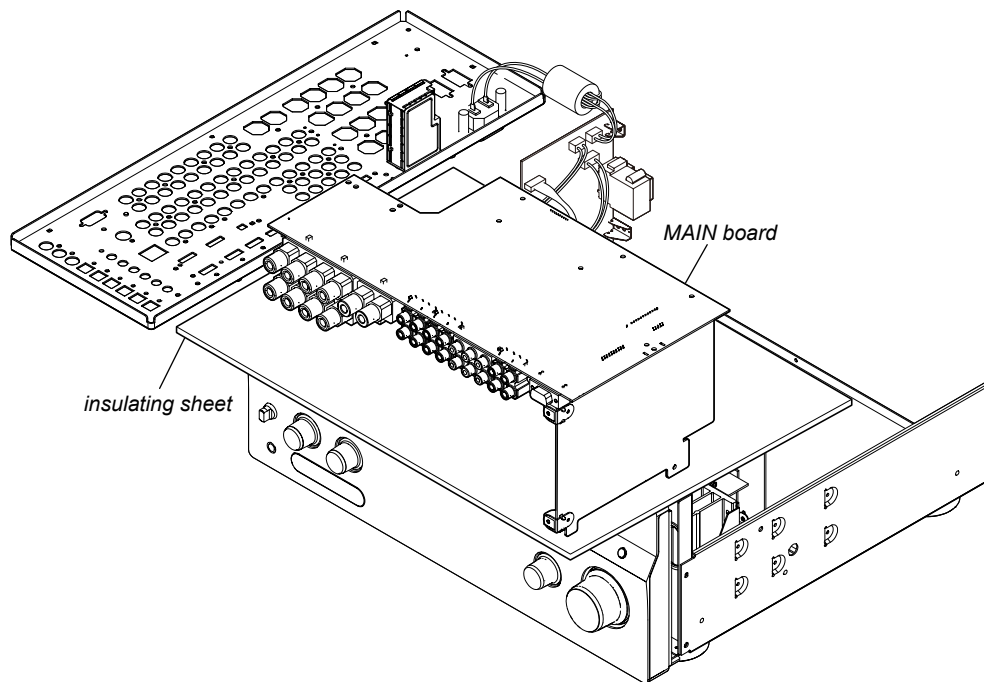
**ANALOG BOARD SERVICE POSITION**

In checking the ANALOG board, prepare jig (extension cable J-2501-254-A: 1.25 mm Pitch, 8 cores, Length 300 mm/J-2501-258-A: 1.25 mm Pitch, 16 cores, Length 300 mm).



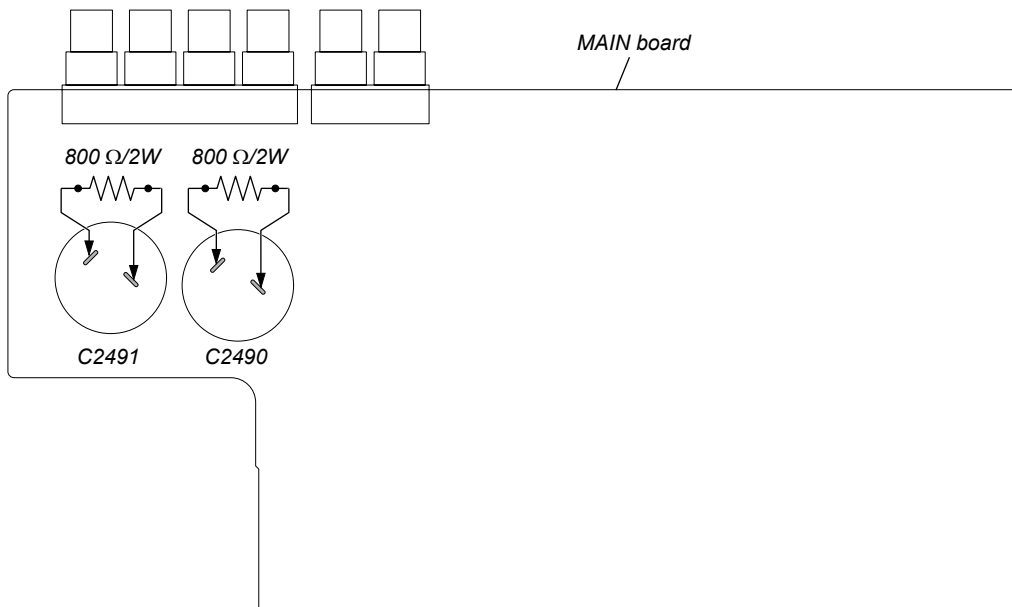
STR-DA5400ES

MAIN BOARD SERVICE POSITION



CAPACITOR DISCHARGE

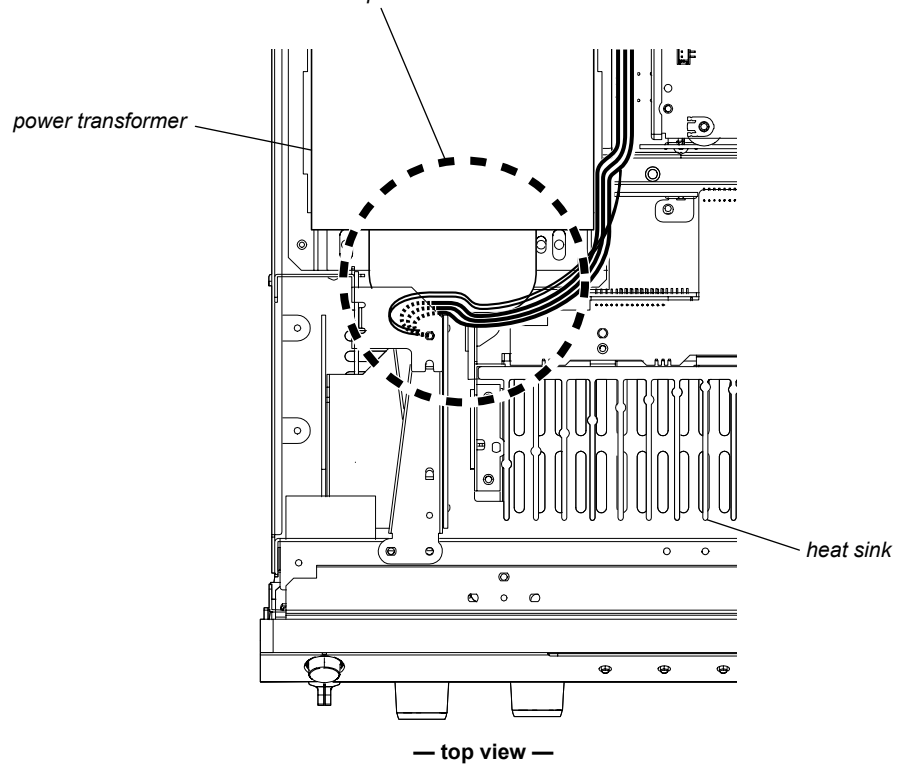
CAUTION: In checking the MAIN board, make a capacitor discharge of C2490 or C2491 for electric shock prevention.



LEAD WIRE SETTING

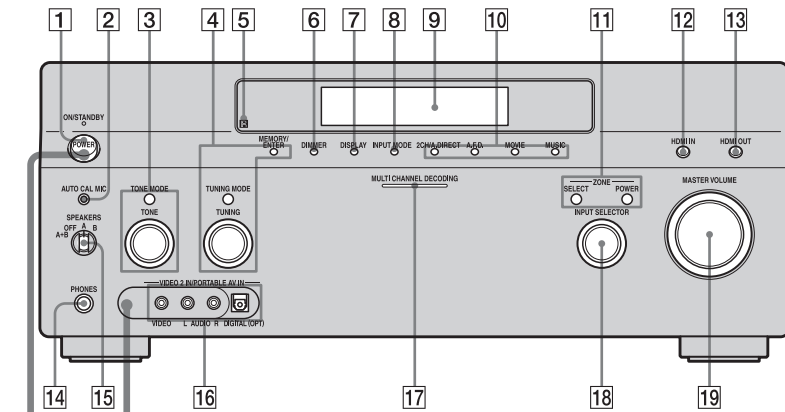
The lead wire must not come in contact with the power transformer and the heat sink.

Please band together so that a primary side cable cannot touch a power transformer and heat sink.





This section is extracted from instruction manual.

Front panel



To remove the cover
Press PUSH.
When you remove the cover, keep it out of reach from children.

Status of the POWER button

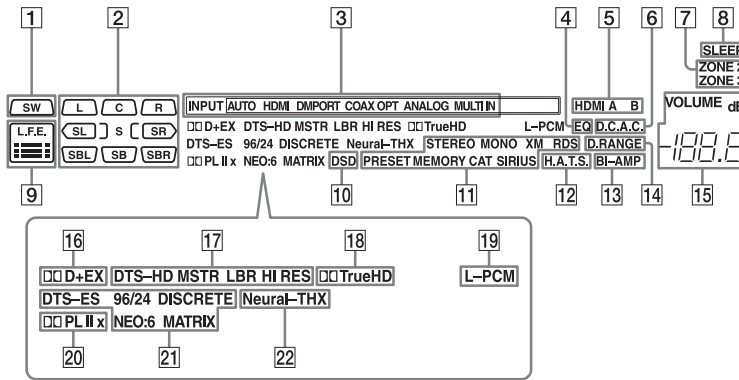
-  **Off**
The receiver is turned off (initial setting).
Press POWER to turn the receiver on. You cannot turn the receiver on using the remote.
-  **On/Standby**
Press I/⏻ on the remote to turn the receiver on or set it to the standby mode. When you press POWER on the receiver, the receiver will be turned off.

Name	Function
1 POWER	Press to turn the receiver on or off.
2 AUTO CAL MIC jack	Connects to the supplied optimizer microphone for the Digital Cinema Auto Calibration function.
3 TONE MODE TONE	Adjusts FRONT/CENTER/SURROUND/SURROUND BACK BASS and TREBLE. Press TONE MODE repeatedly to select BASS or TREBLE, then turn TONE to adjust the level.
4 MEMORY/ENTER TUNING MODE TUNING	Press to operate a tuner (FM/AM) and satellite radio (XM/SIRIUS) (U.S.A./Canadian model only).

Name	Function
5 Remote sensor	Receives signals from remote commander.
6 DIMMER	Press repeatedly to adjust brightness of the display.
7 DISPLAY	Press repeatedly to select information displayed on the display.
8 INPUT MODE	Press to select the input mode when the same components are connected to both digital and analog jacks.
9 Display window	The current status of the selected component or a list of selectable items appears here.
10 2CH/A.DIRECT A.F.D. MOVIE MUSIC	Press to select sound field.

Name	Function
11 ZONE/POWER, SELECT	Press SELECT repeatedly to select zone 2, zone 3 or main zone. Each time you press POWER, the output signals for the selected zone will be turned on or off.
12 HDMI IN	Press to select the input signal from the component connected to the HDMI IN jacks.
13 HDMI OUT	Press to select output signal to the component connected to the HDMI OUT jacks.
14 PHONES jack	Connects to headphones.
15 SPEAKERS (OFF/A/B/A+B)	Switch to OFF, A, B, A+B of the front speakers.
16 VIDEO 2 IN/PORTABLE AV IN jacks	Connect to a portable audio/video component such as a camcorder or video game.
17 MULTI CHANNEL DECODING lamp	Lights up when multi-channel audio signals are decoded.
18 INPUT SELECTOR	Turn to select the input source to play back. To select the input source for zone 2 or zone 3, press ZONE/SELECT (11) to select zone 2 or zone 3 first ("ZONE 2 INPUT" or "ZONE 3 INPUT" appears on the display), then turn INPUT SELECTOR to select the input source.
19 MASTER VOLUME	Turn to adjust the volume level of all speakers at the same time.

Indicators on the display

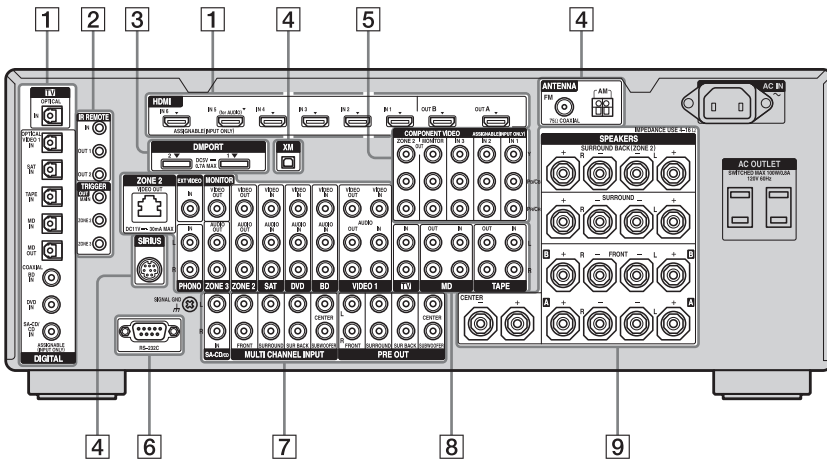


Name	Function
1 SW	Lights up when subwoofer is connected and the audio signal is output from the SUBWOOFER jack. While this indicator lights up, the receiver creates a subwoofer signal based on the L.F.E. signal in the disc being played back or the low frequency components of the front channels.
2 Playback channel indicators	The letters (L, C, R, etc.) indicate the channels being played back. The boxes around the letters vary to show how the receiver downmixes the source sound (based on the speaker settings).
L	Front Left
R	Front Right
C	Center (monaural)
SL	Surround Left
SR	Surround Right
S	Surround (monaural or the surround components obtained by Pro Logic processing)
SBL	Surround Back Left
SBR	Surround Back Right
SB	Surround Back (the surround back components obtained by 6.1 channel decoding)
Example: Recording format (Front/Surround): 3/2.1 Output channel: Surround speakers are set to "NO." Sound Field: A.F.D. AUTO	
3 Input indicators	Light up to indicate the current input.
INPUT	Lights up constantly with either following the corresponding indicators that indicate the current input status.
HDMI	The receiver recognizes a component connected via an HDMI IN jacks.
DMPORT	The DIGITAL MEDIA PORT adapter is connected and "DMPORT" is selected.
MULTI IN	The multi-channel input is selected.
AUTO	Lights up with the corresponding indicators that indicate the current input when INPUT MODE is set to "Auto."
COAX	Digital signal is input through the COAXIAL jack.




Name	Function
OPT	Digital signal is input through the OPTICAL jack.
ANALOG	No digital signal is being input. When INPUT MODE is set to "Analog," or when the "2ch Analog Direct" is being selected, it also lights up.
4 EQ	Lights up when the equalizer is activated.
5 HDMI A B	Lights up when the signals are output from the HDMI OUT A or B jack.
6 D.C.A.C.	Lights up when auto calibration is activated.
7 ZONE 2/ ZONE 3	Lights up while operation in zone 2/zone 3 is being enabled.
8 SLEEP	Lights up when the sleep timer is activated.
9 L.F.E.	Lights up when the disc being played back contains an L.F.E. (Low Frequency Effects) channel and the L.F.E. channel signal is actually being reproduced, the bars underneath the letters light up to indicate the level. Since the L.F.E. signal is not recorded in all parts of the input signal the bar indication will fluctuate (and may turn off) during playback.
10 DSD	Lights up when the receiver is receiving DSD (Direct Stream Digital) signals.
11 Tuning indicators	Lights up when the receiver tunes in radio stations, or satellite radio stations.
STEREO	Stereo broadcast
MONO	Monaural broadcast
XM	The XM Mini Tuner and Home Dock are connected and "XM" is selected.
SIRIUS	The SiriusConnect Home tuner is connected and "SIRIUS" is selected.
CAT	The category mode is selected during the satellite radio operation.
RDS	RDS information is received.
PRESET	The tuning mode is set to the preset mode.
MEMORY	A memory function, such as Name Input, etc., is activated.

Name	Function
12 H.A.T.S. (European model only)	Lights up when the H.A.T.S. (High quality digital Audio Transmission System) function is activated.
13 BI-AMP	Lights up when surround back speakers selection is set to "BI-AMP."
14 D.RANGE	Lights up when dynamic range compression is activated.
15 VOLUME	Displays the current volume.
16 Dolby Digital Surround indicators	Lights up one of the respective indicators when the receiver is decoding the corresponding Dolby Digital format signals.
DD	Dolby Digital
DD+	Dolby Digital Plus
DD EX	Dolby Digital Surround EX
Note When playing a Dolby Digital format disc, be sure that you have made digital connections and that INPUT MODE is not set to "Analog."	
17 DTS-HD indicators	Light up when the receiver is decoding DTS-HD.
DTS-HD	Lights up constantly with the one of the following indicators.
MSTR	DTS-HD Master Audio
LBR	DTS-HD Low Bit Rate Audio
HI RES	DTS-HD High Resolution Audio
18 TrueHD	Lights up when the receiver is decoding Dolby TrueHD.
19 L-PCM	Lights up when Linear PCM (Pulse Code Modulation) signals are input.
20 Dolby Pro Logic indicators	Lights up one of the respective indicators when the receiver applies Dolby Pro Logic processing to 2 channel signals in order to output the center and surround channel signals.
PL	Dolby Pro Logic
PLII	Dolby Pro Logic II
PLIIx	Dolby Pro Logic IIx
Note This indicator does not light when either the center speaker and surround speaker is not connected.	
21 DTS-(ES) indicators	Light up when DTS or DTS-ES signals are input.
DTS	Lights up when the receiver is decoding DTS signals. Either 96/24 or NEO:6 also lights up depending on the input signal format or decoding format.
96/24	DTS 96/24 (96 kHz/24 bit) decoding
NEO:6	DTS Neo:6 Cinema/Music
DTS-ES	Lights up with the either following indicator depending on the input signal decoding format.
DISCRETE	DTS-ES Discrete 6.1
MATRIX	DTS-ES Matrix 6.1
Note When playing a DTS format disc, be sure that you have made digital connections and that INPUT MODE is not set to "Analog."	
22 Neural-THX	Lights up when the receiver applies Neural-THX processing to input signals.



Rear panel



1 DIGITAL INPUT/OUTPUT section

-  OPTICAL IN/OUT jacks Connect to a DVD player, Super Audio CD player, etc. The COAXIAL jack provides a better quality sound.
-  COAXIAL IN jacks
-  HDMI IN/OUT* jacks Connect to a DVD player, Blu-ray Disc Player, or a satellite tuner. An image and the sound are output to TV or a projector.



2 Control jacks for Sony equipment and other external components


-  IR REMOTE IN/OUT jacks Connect an IR repeater.
-  TRIGGER OUT jacks Connect to interlock on/off of the power supply of other 12V TRIGGER compliant components, or the amplifier/receiver of zone 2 or zone 3.


3 DMPORT

-  Connect to a Sony DIGITAL MEDIA PORT adapter.




4 ANTENNA section

-  FM ANTENNA jack Connects to the FM wire antenna (aerial) supplied with this receiver.
-  AM ANTENNA jack Connects to the AM loop antenna (aerial) supplied with this receiver.

-  XM jack Connects to the XM Mini Tuner and Home Dock (not supplied).
(U.S.A./Canadian model only)

-  SIRIUS jack Connects to a SiriusConnect Home tuner (not supplied).
(U.S.A./Canadian model only)



5 COMPONENT VIDEO INPUT/OUTPUT section


-  Y, P_B/C_B, P_R/C_R IN/OUT* jacks Connect to a DVD player, TV, or a satellite tuner.
-  P_{W/CW}
-  P_{W/CW}


6 RS-232C port

-  Used for maintenance and service.



7 AUDIO INPUT/OUTPUT section

-  L AUDIO IN/OUT jacks Connect to a tape deck or MD deck, etc.
-  R

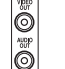
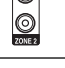
-  MULTI CHANNEL INPUT jacks Connect to a Super Audio CD player or DVD player with an analog audio jack for 7.1 channel or 5.1 channel sound.

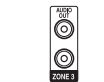
-  PRE OUT jacks Connect to an external power amplifier.


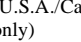
8 VIDEO/AUDIO INPUT/OUTPUT section


-  L AUDIO IN/OUT jacks Connect to a VCR or a DVD player etc..
-  R

-  VIDEO IN/OUT* jacks

-  AUDIO OUT jacks Connect to the component in zone 2 or zone 3.
-  VIDEO OUT jacks



-  ZONE 2 VIDEO OUT jack An RJ-45 jack used to send a video signal to the component in zone 2. Use a CAT5 cable for the connection. Used for custom installation. For information on how to use this jack, consult your dealer. **Attention** Do not use this jack for an Ethernet LAN connection. Doing so may cause a malfunction.
-  ZONE 3

-  EXT VIDEO IN jack Connects to the component when you want to watch in PIP (Picture in Picture) window.

9 SPEAKERS section

-  Connects to speakers.

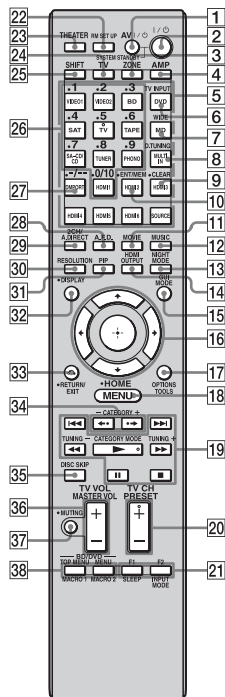
* You can watch the selected input image when you connect the HDMI OUT or MONITOR OUT jacks to a TV. You can operate this receiver using a GUI (Graphical User Interface).

Remote commander




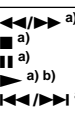
You can use the supplied remote to operate the receiver and to control the Sony audio/video components that the remote is assigned to operate.

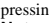
Main remote commander (RM-AAL013/RM-AAL014)

The RM-AAL013 remote is supplied with the U.S.A./Canadian model only and RM-AAL014 is supplied with the European model only. The RM-AAL013 remote is used for illustration purpose. Any differences in operation are clearly indicated in the text, for example, "European model only."



Name	Function
1 AV I/O (on/standby)	Press to turn on or off the audio/video components that the remote is assigned to operate. If you press I/O (2) button at the same time, it will turn off the receiver and other Sony components (SYSTEM STANDBY). Note The function of the AV I/O switch changes automatically each time you press the input button (5).
2 I/O (on/standby)	Press to turn the receiver on or off. If zone 2 or zone 3 is selected, only the main receiver is turned on or off with this button. To turn off all components including an amplifier in zone 2 or zone 3, press I/O and AV I/O (1) at the same time (SYSTEM STANDBY). Saving the power in standby mode. When "Control for HDMI" and "RS-232C Control" are set to "OFF."
3 ZONE	Press to switch the zone 2 or zone 3 operation.
4 AMP	Press to enable the receiver operation.

Name	Function
5 Input buttons	Press one of the buttons to select the component you want to use. When you press any of the input buttons, the receiver turns on. The buttons are factory assigned to control Sony components. You can program the remote to control non-Sony components following the steps in "Programming the remote".
6 TV INPUT	Press TV (24), then press TV INPUT to select the input signal of a TV.
7 WIDE	Press TV (24), then press WIDE repeatedly to select the wide picture mode.
8 D.TUNING	Press SHIFT (25), then press to enter direct tuning mode.
9 CLEAR	Press SHIFT (25), then press to – clear a mistake when you press the incorrect numeric button. – return to continuous playback, etc. of the satellite tuner or DVD player.
10 ENT/MEM	Press SHIFT (25), then press ENT/MEM to enter the value after selecting a channel, disc, or track using the numeric buttons, or to store a station during tuner operation.
11 MOVIE	Press to select sound field for movies.
12 MUSIC	Press to select sound field for music.
13 NIGHT MODE	Press AMP (4), then press NIGHT MODE to activate the NIGHT MODE function.
14 HDMI OUTPUT	Press to select output signal to the component connected to the HDMI OUT jacks.
15 GUI MODE	Press to switch the display mode of the menu between GUI MODE (to display the menu on the TV screen) and DISPLAY MODE (to display the menu in the display window).
16 	Press  to select the menu items. Then press  to enter the selection.
17 OPTIONS TOOLS	Press to display and select items from option menus for receiver, DVD player, TV, or Blu-ray Disc Player, etc.
18 MENU HOME	Press to display the menu used to operate audio/video components or a TV.
19 	Press to operate the DVD player, Blu-ray Disc Player, CD player, MD deck, tape deck, or component connected to the DIGITAL MEDIA PORT adapter etc.
CATEGORY MODE (U.S.A./Canadian model only)	Press to select the category mode for satellite tuner.
TUNING +/-	Press to select station.
20 PRESET + b)/-	Press to register FM/AM/satellite tuner stations or to select preset stations.
TV CH + b)/-	Press TV (24), then press TV CH + /- to operate the TV, satellite tuner, VCR, etc.

Name	Function
21 F1/F2	Press BD or DVD (5), then press F1 or F2 to select a component to operate. • HDD/DISC combo F1: HDD F2: DVD disc, Blu-ray Disc • DVD/VHS combo F1: DVD disc, Blu-ray Disc F2: VHS
INPUT MODE	Press AMP (4), then press INPUT MODE to select the input mode when the same components are connected to both digital and analog jacks.
SLEEP	Press AMP (4), then press SLEEP to activate the sleep timer function and the duration which the receiver turns off automatically.
22 RM SET UP	Press to set up the remote.
23 THEATER	Press to turn the Theater mode on and off when connecting the receiver to products featuring "BRAVIA" Sync.
24 TV	Press to enable the TV operation.
25 SHIFT	Press to light up the button. It changes the remote button function to activate the buttons with pink printing.
26 Numeric buttons	Press SHIFT (25), then press to – preset/tune to preset stations. – select track numbers of the CD player, DVD player, Blu-ray Disc Player or MD deck. Press -/- (27) to select track number 10. – select channel numbers of the VCR or satellite tuner. – After pressing TV (24), press the numeric buttons to select the TV channels.
27 -/-	Press to select – track numbers over 10 of the VCR, satellite tuner, CD player or MD deck. – channel numbers of the Digital CATV terminal.
28 A.F.D.	Press to select sound field.
29 2CH/A.DIRECT	Press to select sound field or to switch the audio of the selected input to analog signal without any adjustment.
30 RESOLUTION	Press RESOLUTION repeatedly to change the resolution of signals output from the HDMI OUT or COMPONENT VIDEO MONITOR OUT jack.
31 PIP	Press PIP to switch the image of the PIP (Picture in Picture) window. The image of the PIP window is the one from the EXT VIDEO IN jack. You can swap the position of the main screen and the PIP window by pressing  (16). Note When the HDMI input is selected on the main screen, you cannot swap the position of the main screen and the PIP window.
32 DISPLAY	Press to select information displayed in the display window, TV screen of the VCR, satellite tuner, CD player, DVD player, Blu-ray Disc Player, or MD deck. Note In the GUI MODE, press the button to display the menu on the TV screen.

Name	Function
33 RETURN/EXIT ↶	Press to return to the previous menu or exit the menu while the menu or on-screen guide of the VCR, DVD player, or satellite tuner is displayed on the TV screen.
34 CATEGORY +/- (U.S.A./Canadian model only)	Press to select the category for satellite tuner.
↔/↔	Press to select an album.
35 DISC SKIP	Press to skip a disc when using a multi-disc changer.
36 MASTER VOL +/-	Press to adjust the volume level of all speakers at the same time.
TV VOL +/-	Press TV (24), then press TV VOL +/- to adjust the volume level of the TV.
37 MUTING	Press to turn off the sound temporarily. Press the button again to restore the sound.
38 BD/DVD/TOP MENU, MENU	Press to display the menus of the DVD player on the TV screen. Then use ↶/↷/↵ and Ⓞ to perform a menu operations.
MACRO1, MACRO2	Press AMP (4), then press MACRO 1 or MACRO 2 to set up the macro function.

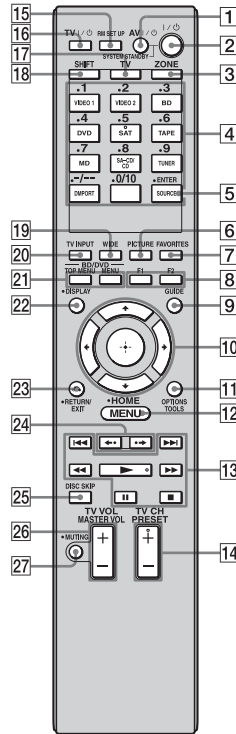
a) See the table for information on the buttons that you can use to control each component.
 b) The tactile dot is attached to these buttons (TV/5, ▶, PRESET +/-TV CH +). Use as a mark of operation.

Notes

- Some functions explained in this section may not work depending on the model.
- The above explanation is intended to serve as an example only. Therefore, depending on the component, the above operation may not be possible or may operate differently than described.

Zone 2/Zone 3 remote commander (RM-AAP027)

This remote is for zone 2/zone 3 operations.



Name	Function
1 AV I/O (on/standby)	Press to turn on or off the audio/video components that the remote is assigned to operate. Press I/O (2) at the same time, to turn off the receivers in the main zone, zone 2 and zone 3, and any other Sony components (SYSTEM STANDBY). Note The function of the AV I/O switch changes automatically each time you press the input button (4).
2 I/O (on/standby)	Press to turn the receiver on or off in zone 2 or zone 3. Press AV I/O (1) at the same time to turn off the receivers in the main zone, zone 2 and zone 3, and any other Sony components (SYSTEM STANDBY).
3 ZONE	Press to enable the zone 2 or zone 3 operation.
4 Input buttons	Press one of the buttons to select the component you want to use. Press a pink-labeled button after pressing SHIFT (18). When you press any of the input buttons, the receiver turns on. The buttons are factory assigned to control Sony components. You can program the remote to control non-Sony components following the steps in "Programming the remote"
5 ENTER	Press to enter the value after selecting a channel, disc or track using the numeric buttons.
6 PICTURE	Press repeatedly to cycle through the available picture modes of TV.
7 FAVORITES	Press once to display the stored favorite channel list of TV.

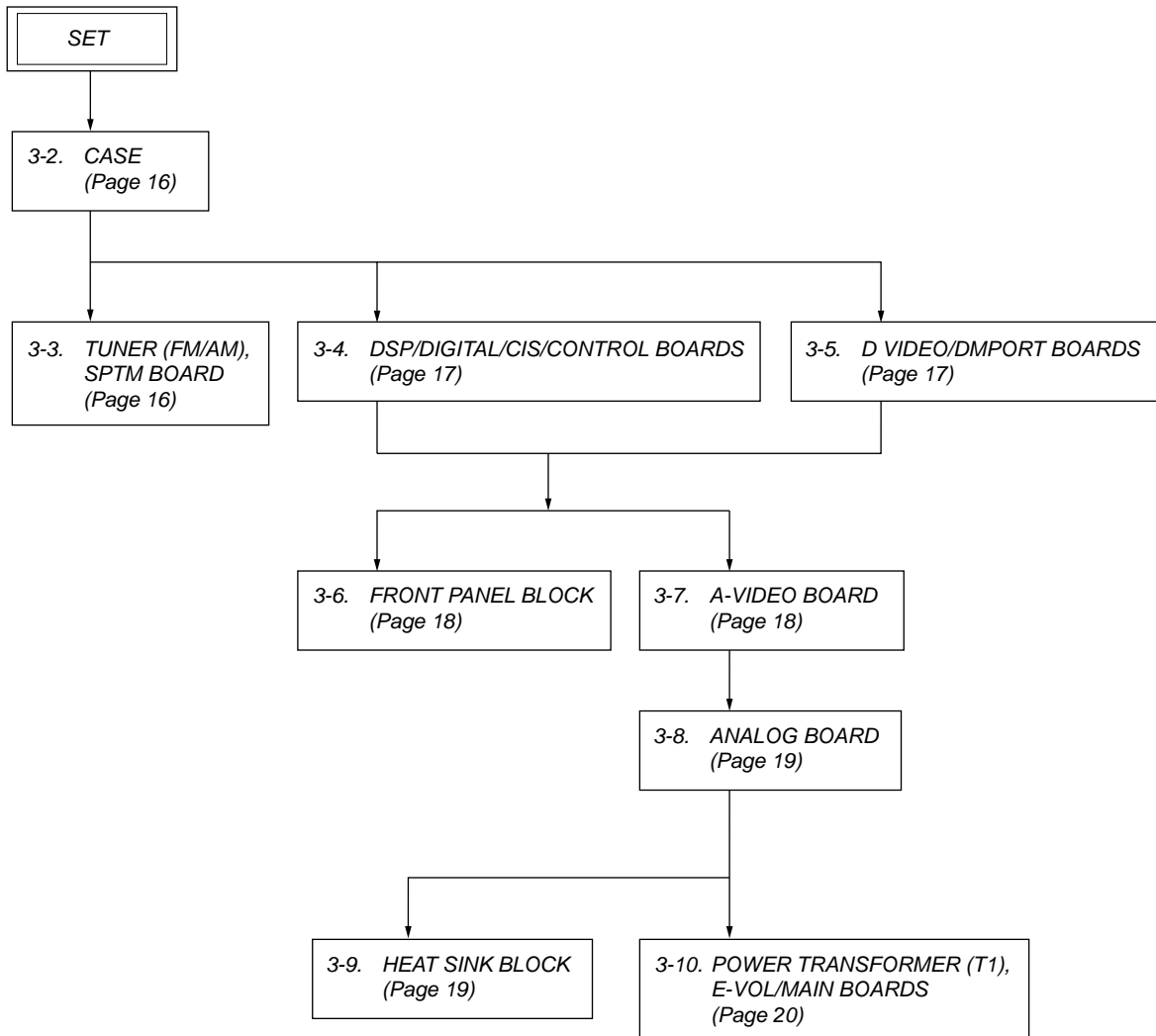
Name	Function
8 F1/F2	Press BD or DVD (4), then press F1 or F2 to select a component to operate. • HDD/DISC combo F1: HDD F2: DVD disc, Blu-ray Disc • DVD/VHS combo F1: DVD disc, Blu-ray Disc F2: VHS Note The F1/F2 function does not work for video components that have no recording function.
9 GUIDE	Press to display a guide list of the DVD player or satellite tuner on the TV screen.
10 ↶/↷/↵/↶/↷	Press ↶/↷/↵/↶/↷ to select the menu items for zone 2/zone 3. Then press Ⓞ to enter the selection.
11 OPTIONS TOOLS	Press to display and select items from option menus for receiver, DVD player, TV, or Blu-ray Disc Player, etc.
12 MENU HOME	Press to display the menu used to operate audio/video components or a TV.
13 ◀/▶ a) ■ a) II a) ▶ a) b) ◀◀/▶▶ a)	Press to operate the DVD player, Blu-ray Disc Player, CD player, MD deck, tape deck, or component connected to the DIGITAL MEDIA PORT adapter etc.
14 PRESET + b) / -	Press to register FM/AM/ satellite tuner stations or to select preset stations. TV CH + b) / - Press TV (17), then press TV CH +/- to operate the TV, satellite tuner, VCR, etc.
15 RM SET UP	Press to set up the remote.
16 TV I/O	Press to turn the TV on or off.
17 TV	Press to enable the TV operation.
18 SHIFT	Press to light up the button. It changes the remote button function to activate the buttons with pink printing.
19 WIDE	Press repeatedly to select the wide picture mode.
20 TV INPUT	Press TV (17), then press TV INPUT to select the input signal of a TV.
21 BD/DVD TOP MENU, MENU	Press to display the menus of the DVD player on the TV screen. Then use ↶/↷/↵ and Ⓞ to perform a menu operations.
22 DISPLAY	Press to select information displayed in the display window, TV screen of the VCR, satellite tuner, CD player, DVD player, Blu-ray Disc Player, or MD deck. Note In the GUI mode, press the button to display the menu on the TV screen.
23 RETURN/EXIT ↶	Press to return to the previous menu or exit the menu while the menu or on-screen guide of the VCR, DVD player, or satellite tuner is displayed on the TV screen.
24 ↔/↔	Press to select an album.
25 DISC SKIP	Press to skip a disc when using a multi-disc changer.
26 MASTER VOL +/-	Press to adjust the volume level of all speakers in zone 2/zone 3 at the same time. TV VOL +/- Press TV (17), then press TV VOL +/- to adjust the volume level of the TV in zone 2/zone 3.
27 MUTING	Press to turn off the sound temporarily. Press the button again to restore the sound.

a) See the table for information on the buttons that you can use to control each component.
 b) The tactile dot is attached to these buttons (SAT/5, ▶, PRESET +/-TV CH +). Use as a mark of operation.

SECTION 3 DISASSEMBLY

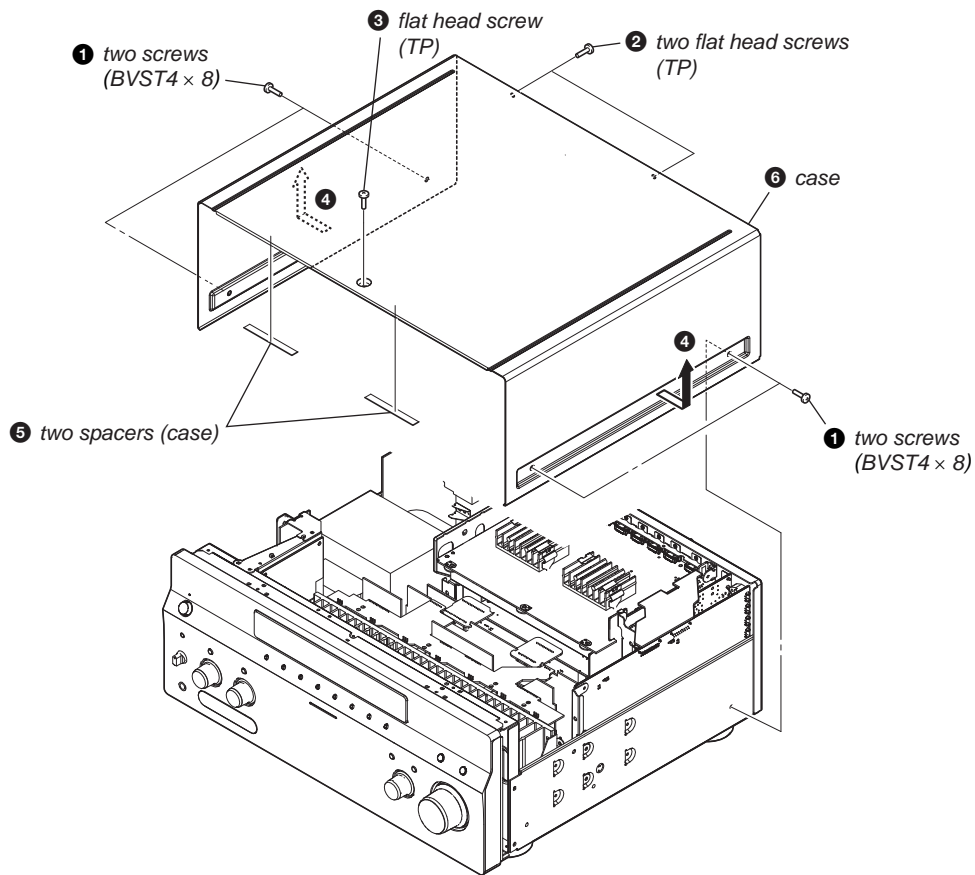
- This set can be disassembled in the order shown below.

3-1. DISASSEMBLY FLOW

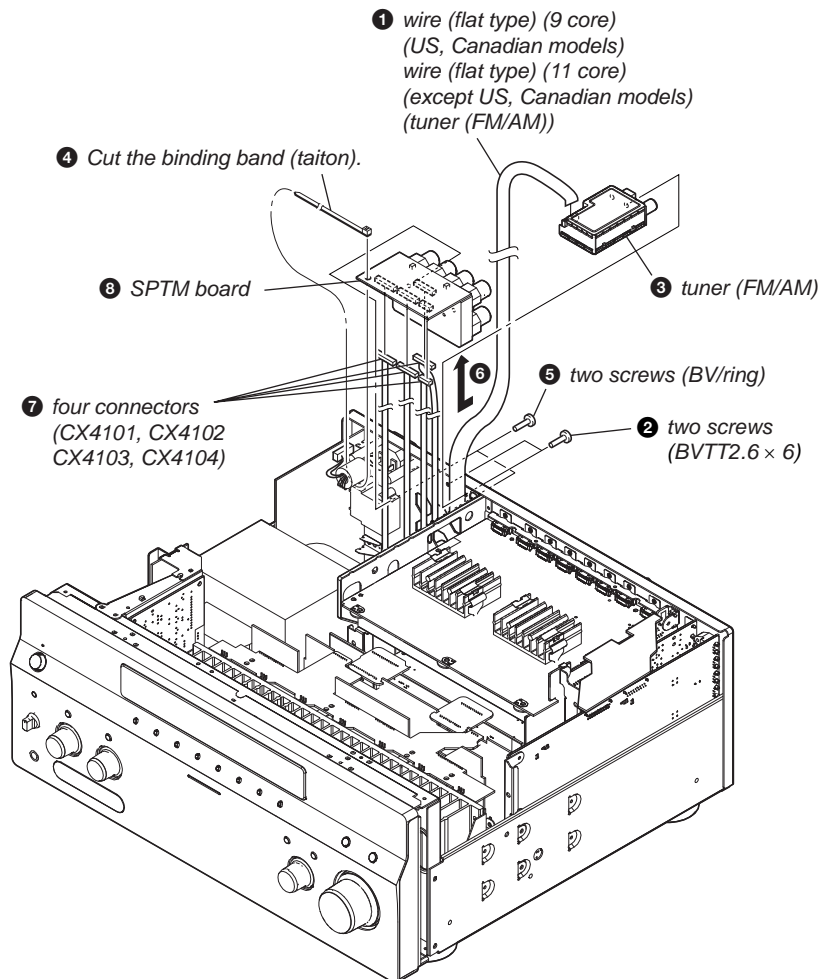


Note: Follow the disassembly procedure in the numerical order given.

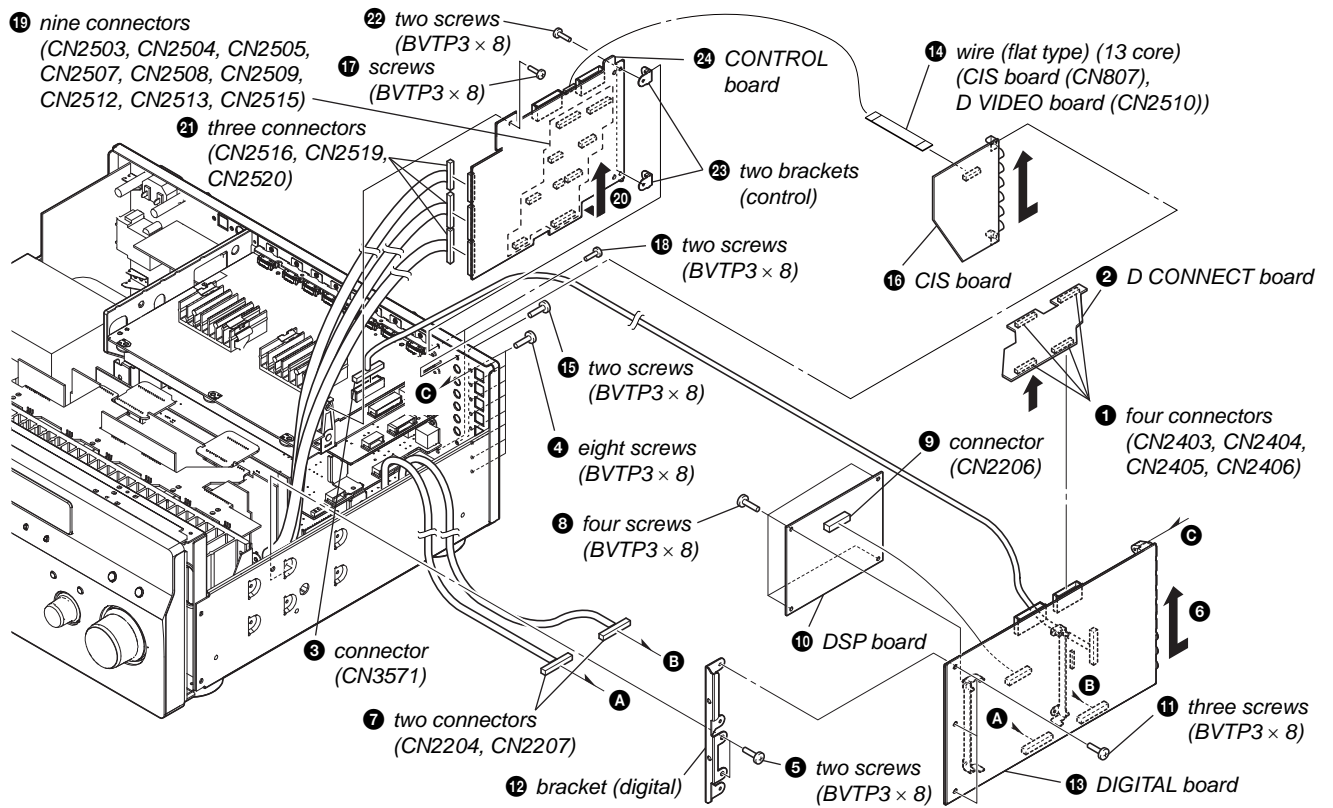
3-2. CASE



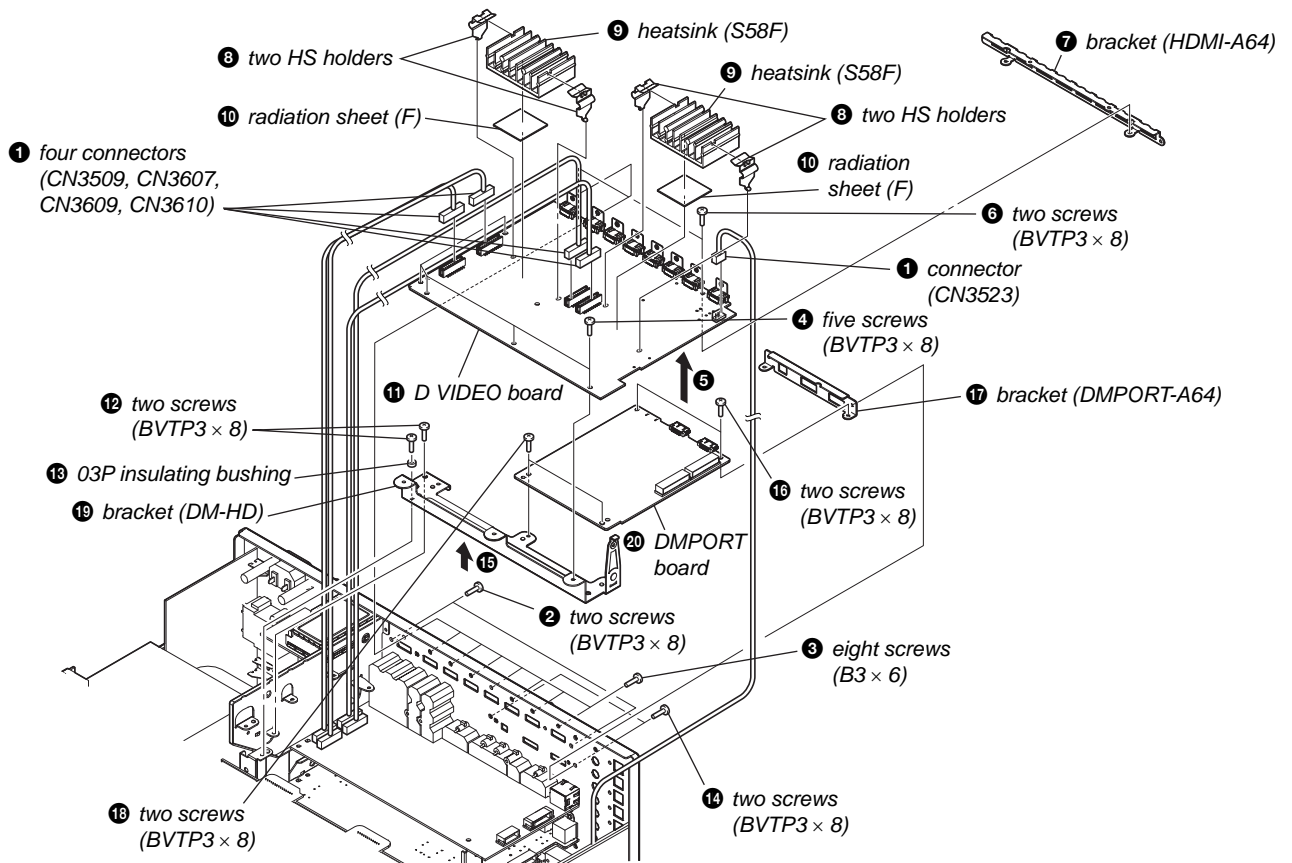
3-3. TUNER (FM/AM), SPTM BOARD



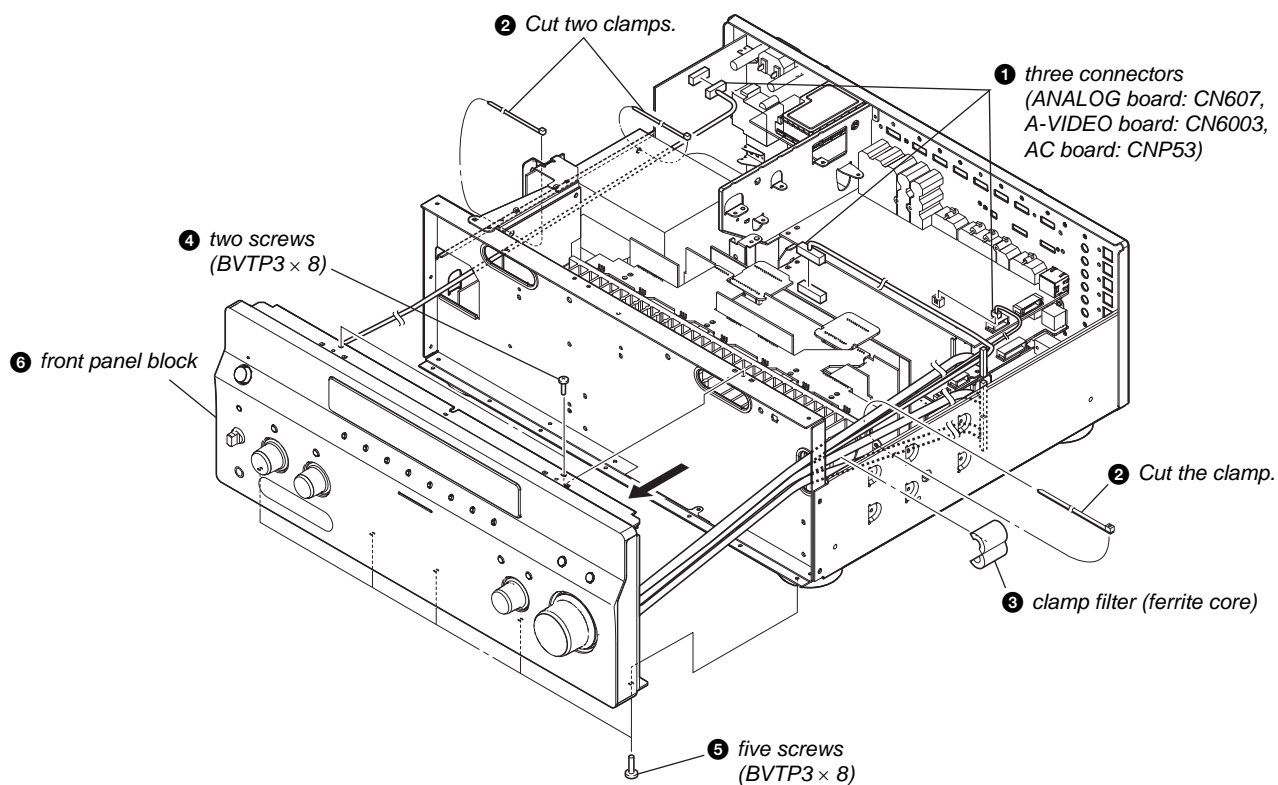
3-4. DSP/DIGITAL/CIS/CONTROL BOARDS



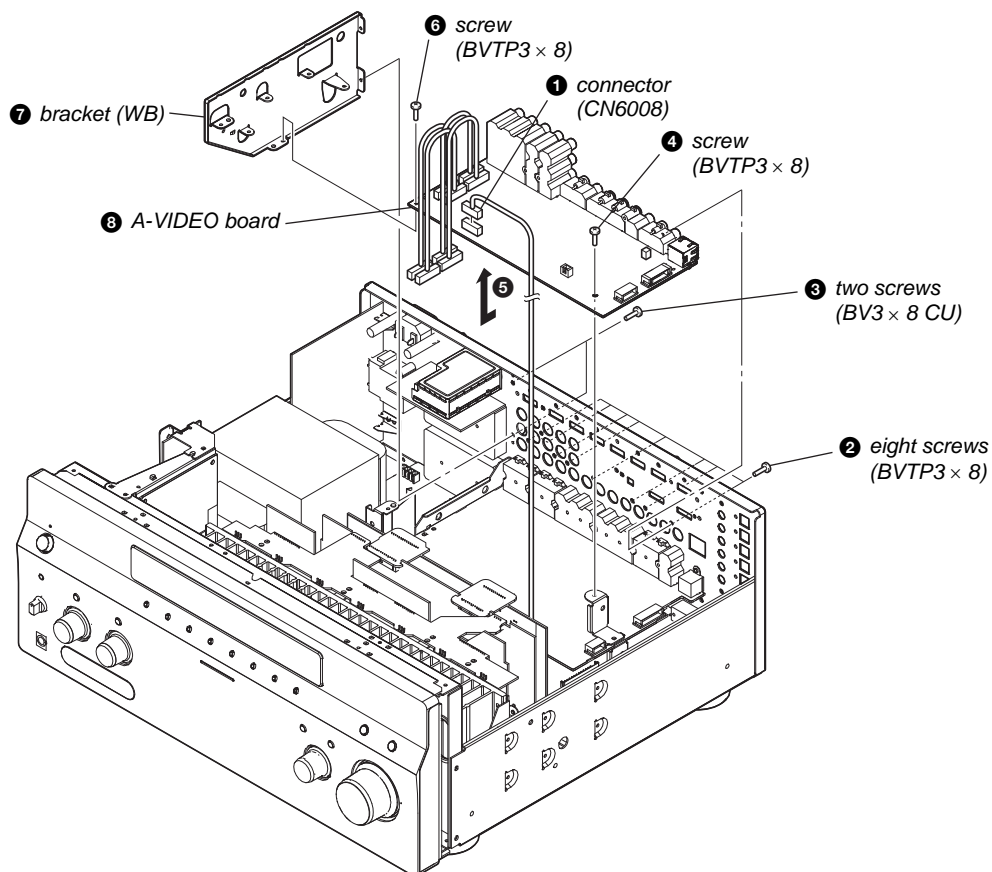
3-5. D VIDEO/DMPORT BOARDS



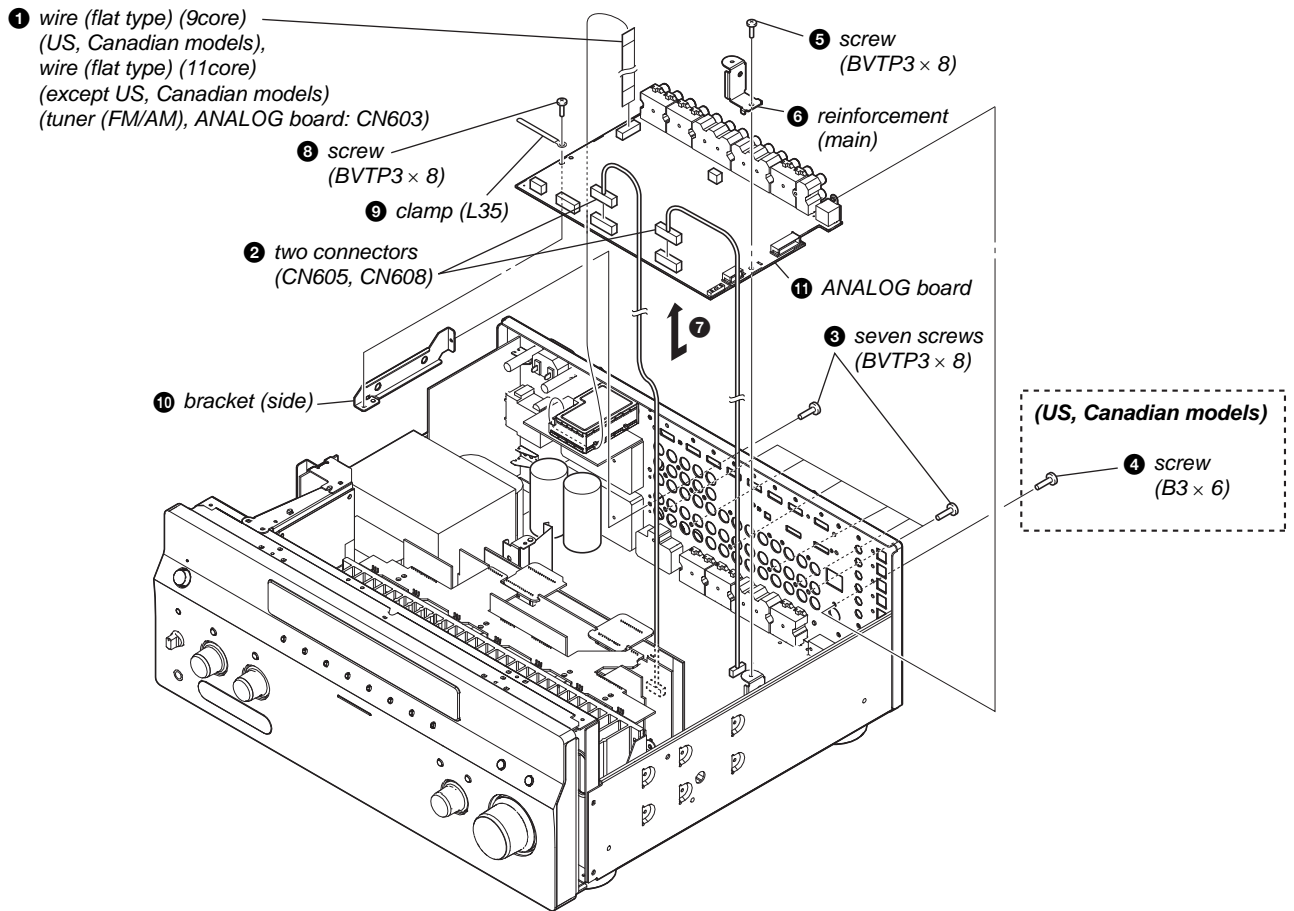
3-6. FRONT PANEL BLOCK



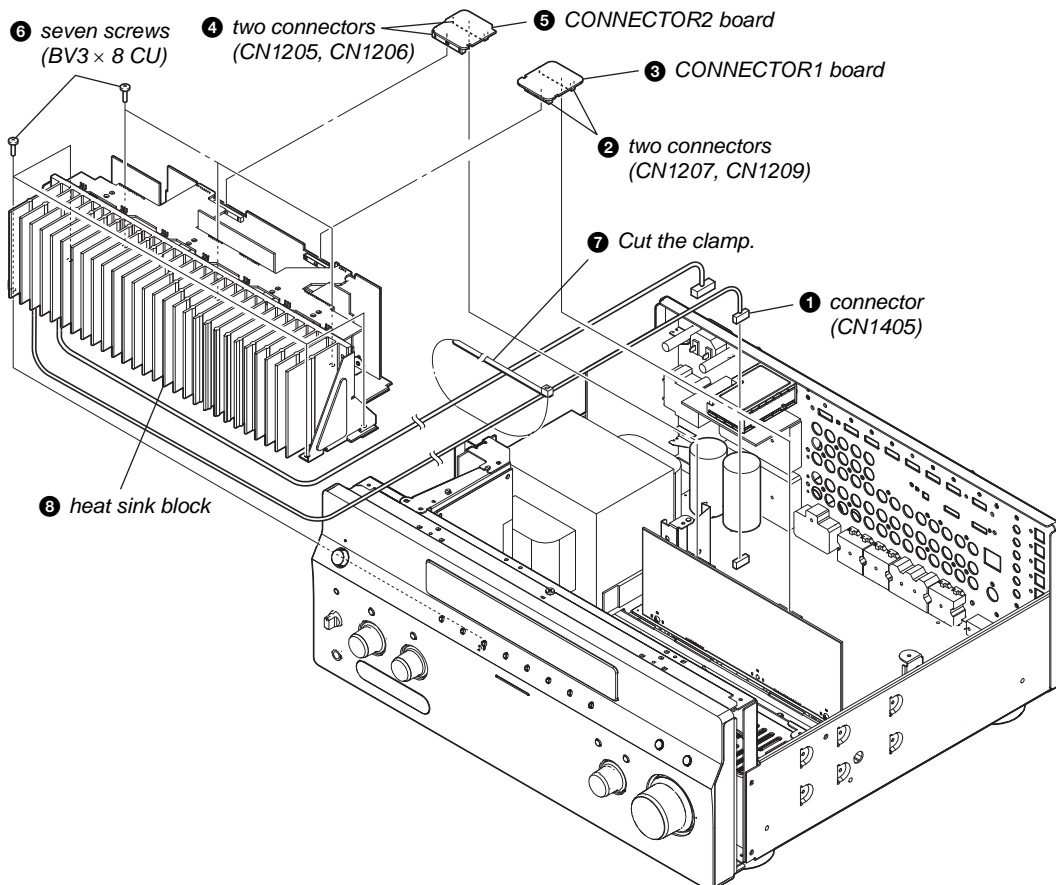
3-7. A-VIDEO BOARD



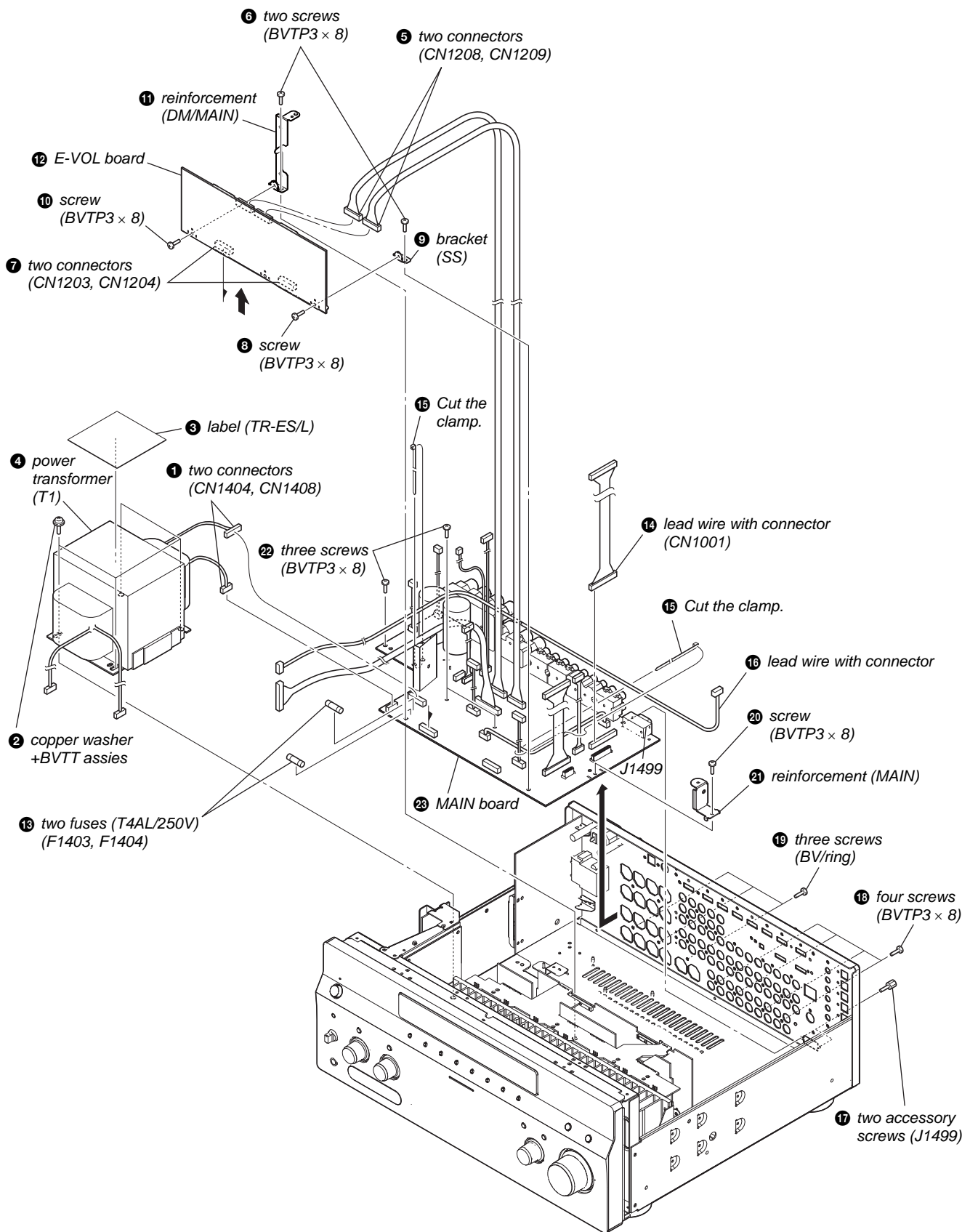
3-8. ANALOG BOARD



3-9. HEAT SINK BLOCK



3-10. POWER TRANSFORMER (T1), E-VOL/MAIN BOARDS



SECTION 4 TEST MODE

HISTORY MODE

The state that the set is used is memorized.

Procedure:

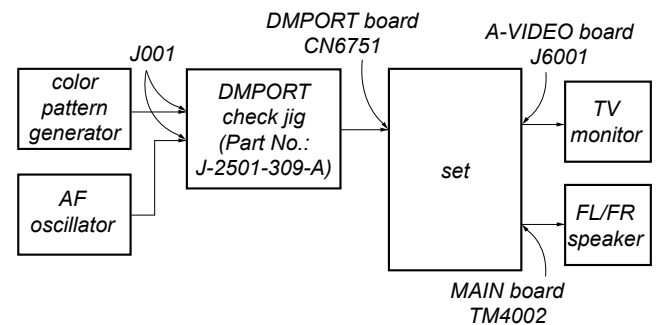
- While pressing the [MUSIC] and [MEMORY/ENTER] buttons, press the [POWER] button to turn on the power and "HISTORY MODE" is displayed.
- Each time the [↑]/[↓] buttons of remote commander is pressed, the item is switched in order as follows.

Items	Display
Protect code and channel	PRCT NO/CH: XX/XX
Number of protector is generated	PRCT COUNT: XXX
Total use time	TTL_TIME: XXXXH XXM
Sound field	XXXXXXXXXXXXXXXXXX
Input Selector	INPUT: XXXXXXXXXXXX
Input mode	INMODE: XXXXXXXXXXXX
Input mode under lock state	DSEL: XXXXXXXXXXXX
Stream under input	STREAM: XXXXXXXX
Channel information	CONFIG:XXXXXXXX
State of headphone	HEAD PHONES: XXX
Volume	VOL: XXXdB
EQ setting value	BASS: XXXdB
	TREB: XXXdB
Level collection value each channel	Lv FL/FR XXXX/XXXX
	Lv SL/SR XXXX/XXXX
	Lv CT/SW XXXX/XXXX
	Lv BL/BR XXXX/XXXX
Total time of power on	TTL_P_ON: XXXXH XXM

DIGITAL MEDIA PORT TEST

Procedure:

- Connect the DMPORT check jig (P/N: J-2501-309-A) with the DMPORT jack (CN6751) on the DMPORT board.
- While pressing the [A.F.D.] and [HDMI IN] buttons, press the [POWER] button to turn on the main power.
- The message "DMPORT OK." appears on the fluorescent indicator tube and enter the digital media port test mode. (Confirmation of communication line)
When "NO DETECT", "UART NG" and "UART TO" are displayed on the fluorescent indicator tube, confirm the connection of the DMPORT check jig, and enter the mode again. Each time the [▶▶▶] button on the remote commander is pressed, the connect check and adaptor version check are switched.
Press the [◀◀◀] button on the remote commander, connected confirmation of the DMPORT check jig is done again.
- To a pinjack of the DMPORT check jig input information relevant to audio signal (sine-wave 1.0V rms) and composite video signal (white 100% 1.0Vp-p, color bar, etc.).
- Confirm the output of speakers and monitor TV. (Confirmation of analog signal)
- To release from this mode, press the [■] button on the remote commander.



XM FACTORY TEST MODE (US and Canadian models only)

Mode to confirm operation of XM. Doing display of ID of XM antenna and output of audio signal that XM antenna generates, it is confirmed that there are no problems in the communication of the XM antenna and the transmission of the audio signal.

Procedure:

- The XM antenna was connected, while pressing the [TUNING MODE] and [MOVIE] buttons, press the [POWER] button to turn on the main power.
- Whenever the [DISPLAY] button is pressed, the output of the audio signal of 1 kHz L/R, 20 Hz L/R, 5 kHz L/R, muting, 1 kHz L and 1kHz R are switched.

SIRIUS FACTORY TEST MODE (US and Canadian models only)

Mode to confirm operation of SIRIUS. Doing display of ID of SIRIUS antenna and output of audio signal that SIRIUS antenna generates, it is confirmed that there are no problems in the communication of the SIRIUS antenna and the transmission of the audio signal.

Procedure:

- The SIRIUS antenna was connected, while pressing the [TUNING MODE] and [A.F.D.] buttons, press the [POWER] button to turn on the main power.
- Whenever the [DISPLAY] button is pressed, the output of the audio signal of 1 kHz L/R, 20 kHz L/R, 10 Hz L/R, noise L, noise R, muting are switched.

FLUORESCENT INDICATOR TUBE PATTERN CHECK MODE

All fluorescent segments are tested. When this test is activated, all segments turn on at the same time, then each segment turns on one after another.

Procedure:

1. While pressing the [MOVIE] and [HDMI IN] buttons, press the [POWER] button to turn on the main power.
2. All segments and all LEDs turn on. Each time [DISPLAY] button to change as follows all on, test pattern 1, test pattern 2, all off, all on in this order.

S.F LOCK ON/OFF CHANGE MODE

Procedure:

1. While pressing the [MUSIC] and [HDMI IN] buttons, press the [POWER] button to turn on the main power.
2. Either the message "SF LOCK [OFF]" or "SF LOCK [ON]" appears.

SOUND FIELD CLEAR MODE

The preset sound field is cleared when this mode is activated. Use this mode before returning the product to clients upon completion of repair.

Procedure:

1. While pressing the [MUSIC] button, press the [POWER] button to turn on the main power.
2. The message "S. F. Initialize" appears and initialization is performed.

TUNER AM STEP CHANGE (9 kHz/10 kHz) MODE (US and Canadian models only)

Either the 9 kHz step or 10 kHz step can be selected for the AM channel step.

Procedure:

1. Press the [POWER] button to turn on the main power.
2. Turn the [INPUT SELECTOR] dial to select the "AM".
3. Press the [POWER] button to turn off the main power.
4. While pressing the [TUNING MODE] button, press the [POWER] button to turn on the main power.
5. Either the message "AM 9k Step" or "AM 10k Step" appears, select the desired step.

MEMORY CLEARING MODE

All preset contents are cleared when this mode is activated. Use this mode before returning the product to clients upon completion of repair.

Procedure:

1. While pressing the [TONE MODE] and [HDMI IN] buttons, press the [POWER] button to turn on the main power.
2. The message "MEMORY CLEARING***" appears and the memories are reset to the default values.
3. When done, the message "MEMORY CLEARED*" appears.

COMMAND MODE CHANGE MODE

The command mode of the remote-commander which this set receives can be changed.

Procedure:

1. While pressing the [2CH/A. DIRECT] button, press the [POWER] button to turn on the main power.
2. Either the message "COMMAND MODE [AV1]" or "COMMAND MODE [AV2]" appears. Select the desired mode.

SPECIAL MENU MODE

Procedure:

1. Press the [POWER] button to turn on the main power, then while pressing the [TONE MODE] button, press the [A.F.D.], [2CH/A. DIRECT], [MUSIC], [MOVIE] button in order, the message "MENU SPECIALIZED!" appears.
2. Press the [↑]/[↓] buttons of the remote commander, the message "<<< SPECIAL >>>" appears.
3. Press the [→] button of the remote commander, the item is appears.
4. Each time the [↑]/[↓] buttons of the remote commander is pressed, the item is switched in order as follows.
Some items can change the content. Display the cursor by pressing the [→] button of the remote commander, and changing the content by pressing the [↑]/[↓] buttons of the remote commander, and fix the content by pressing the [←] button of the remote commander when you want to change the content of the item.
5. To release from this mode, while pressing the [TONE MODE] button, press the [A.F.D.], [2CH/A. DIRECT], [MUSIC], [MOVIE] button in order again, the message "MENU SPECIALIZED OFF" appears.

Items	Display	Remark
SYSTEM version display	SYSTEM VERSION X.XXX	X.XXX: System software version
MAIN Ucom version display	MAIN ##### ** vX. XX	#####: Model **: Destination X.XX: Main controller software version
Video Ucom version display	Video Ucom Ver X. XX	X.XX: Video system controller software version
FAROUDJA version display	FAROUDJA Ver X. XX	X.XX: Video processor software version (main zone)
FAROUDJA (2nd) version display	FAROUDJA2ND Ver X. XX	X.XX: Video processor software version (2nd zone)
GUI CG-ROM version display	GUI CGROM Ver X. XX	X.XX: CG-ROM software version
DSP Ucom version display	DSP Ucom Ver X. XX	X.XX: DSP controller version
DSP serial flash version display	DSP SFLASH Ver X. XX	X.XX: Serial flash software version
DSP parallel flash version display	DSP PFLASH Ver X. XX	X.XX: DSP parallel flash version
DSP debug menu	<DSP DEBUG MENU>	Not used for the servicing
FAROUDJA update	FAROUDJA UPDATE [XXX]	XXX: ON or OFF
HDCP key read	HDCP KEY READ [XXX]	Not used for the servicing
Model/destination change	MODEL [##### **** XX]	Not used for the servicing
Video factory menu	<VIDEO FACTORY MENU>	Menu mode to enter video calibration menu and DDR access check menu If the [ENTER] button of the remote commander is pressed, entering the menu, and operating two the following menu become possible
Video calibration (Video factory menu)	V.CALIBRATION START?	Procedure: 1. "DVD" is selected by using [INPUT SELECTOR] dial. 2. Connect a color pattern generator to the COMPONENT VIDEO ASSIGNABLE (INPUT ONLY) IN2 jack (J6007) on the A-VIDEO board and DVD VIDEO IN jack (J6003) on the A-VIDEO board. 3. Input 100% color bars signal from the color pattern generator. 4. Menu that measures individual difference of hardness by automatic operation in pressing the [ENTER] button of the remote commander, and corrects reference value. In a measurement once, only one of NTSC/PAL/HD can be measured, repeat NTSC/PAL/HD calibration from procedure 4. "Check XXXX V-IN" at display: Video signal necessary for the measurement while measuring it last time was not detected and it became an error Confirm the input of the video of the terminal connection etc., and measure the [ENTER] button of the remote commander again pressing
DDR access check	DDR CHECK [XX] sec	XX: Time to do access check on DDR (for design evaluation) (Video factory menu)
Auto cal mic test	SPEAKER OUT [XXXXX]	XXXXX: Selection of speaker output audio [SOURCE]: normally mode, [MIC]: mode that output audio from mic from speaker
FL display fonts test	FL FONT [0x ** = X]	** : 20 to FE, X: character
FL display test	ALL ON	Each time [DISPLAY] button to change as follows all on → test pattern 1 → test pattern 2 → all off → all on
Super reset	SUPER RESET [XXX]	Not used for the servicing If super reset is performed, "up convert signal level adjustment" will also be initialized When EEPROM initialization is required, perform the "memory clearing mode"
RAM watch menu	XXX	Not used for the servicing

STR-DA5400ES

Items	Display	Remark
EERROM debug	EEPROM [****] [XX]	Not used for the servicing
Protector on/off	PROTECTOR ON/OFF [XXX]	Not used for the servicing
Audio swap	SWAP [XXXXXXXXXXXX]	Not used for the servicing
Volume value display (FL/FR)	FL**** FR XXXX	Not used for the servicing
Volume value display (SL/SR)	SL**** SR XXXX	Not used for the servicing
Volume value display (CT/SW)	CT**** SW XXXX	Not used for the servicing
Volume value display (SBL/SBR)	SBL**** SBR XXXX	Not used for the servicing
DAC mute flag upper	DAC MUTE U XXXXXXXX	Not used for the servicing
DAC mute flag lower	DAC MUTE L XXXXXXXX	Not used for the servicing
2nd volume value display	2nd VOLUME XXX	Not used for the servicing
FL display duty change	DARK OUT DUTY [XXX%]	Not used for the servicing
CORTEZ debug read	CORTEZ READ [XXX]	Not used for the servicing
Check H.A.T.S. playback component	CHK HATS COMP [XXX]	Not used for the servicing
H.A.T.S. mode fix	HATS FIX [XXXXXXXX]	Not used for the servicing
H.A.T.S. rate cotrol	HATS RATE [XXXXXX]	Not used for the servicing
H.A.T.S. error process	HATS ERR PROC [XXX]	Not used for the servicing
H.A.T.S. error trig	HATS ERR TRIG	Not used for the servicing

SECTION 5 ELECTRICAL ADJUSTMENTS

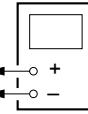
BIAS ALIGNMENT ADJUSTMENT

Note: Afer 10 minutes or more have passed since the power supply was turned on, this adjustment is done.

Connection:

digital voltmeter

CN1561 (CN1611, CN1761, CN1861) pin ①, CN1561 (CN1761, CN1861) pin ③
 CN1561 (CN1611, CN1761, CN1861) pin ②, CN1561 (CN1761, CN1861) pin ④



Note: Pin ③, ④ of CN1611 are open.

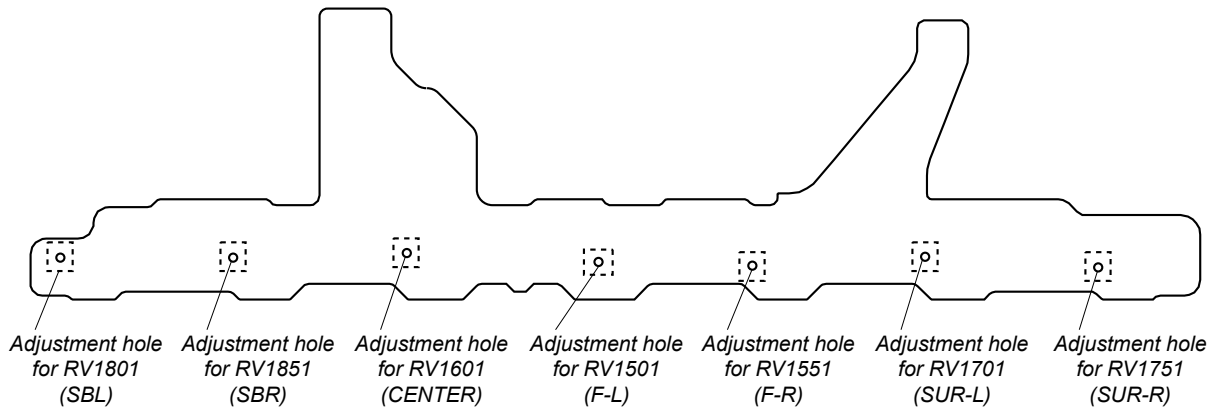
Procedure:

1. Connect a digital voltmeter to the CN1561 (CN1611, CN1761, CN1861).
2. Press the [POWER] button to turn on the main power.
3. Adjust the RV1501 (RV1551, RV1601, RV1701, RV1751, RV1801, RV1851) so that the digital voltmeter reading is 5 mV to 20 mV.

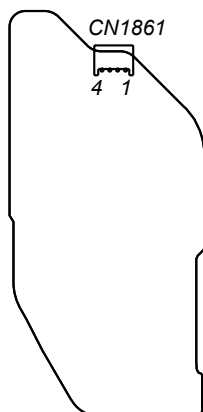
Note: Adjust for the digital voltmeter reading to become 5 mV as much as possible.

Adjustment and Connection Location:

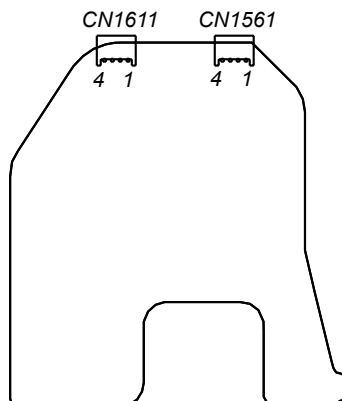
– BIAS Board (Conductor Side) –



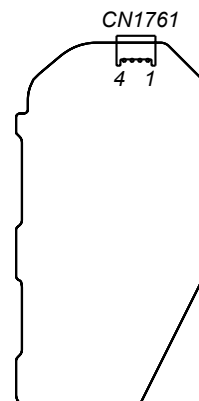
– PROTECTOR (SB) Board (Component Side) –



– PROTECTOR (F-C) Board (Component Side) –



– PROTECTOR (SURR) Board (Component Side) –

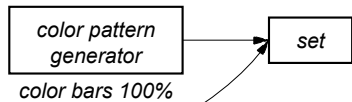


VIDEO CALIBRATION ADJUSTMENT

Adjustment to decide the standard of the video input signal.

Note: After replacing D VIDEO board, or after "SUPER RESET" of the special menu mode is executed, perform this adjustment.

Connection:



A-VIDEO board COMPONENT VIDEO ASSIGNABLE
(INPUT ONLY) IN 2 jack (J6007)

A-VIDEO board DVD VIDEO IN jack (J6003)

A-VIDEO board EXT VIDEO IN jack (J6001)

Procedure:

1. "DVD" is selected by using [INPUT SELECTOR] dial.
2. Connect a color pattern generator to the COMPONENT VIDEO ASSIGNABLE (INPUT ONLY) IN 2 jack (J6007) on the A-VIDEO board and DVD VIDEO IN jack (J6003) on the A-VIDEO board and EXT VIDEO IN jack (J6001) on the A-VIDEO board.
3. Input NTSC color bars signal from the color pattern generator.
4. Enter the special menu mode referring to the "SPECIAL MENU MODE" (refer to page 23) of the test mode.
5. Press the [↑]/[↓] buttons on the remote commander to select the "VIDEO FACTORY MENU", and press the [ENTER] button on the remote commander. It enters the test mode, and display as below.

```

U.CALIBRATION START? ↔ NTSC : MW--____
(PAL input) PAL : MW--____
(HD input) HD-U : MW--____
  
```

6. In state of step 5, press the [MEMORY/ENTER] button. The adjustment is automatically completed, and result is written in the EEPROM, and display as below.

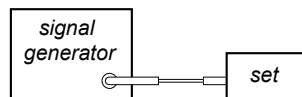
```

(NTSC input) U. CAL. OK N: _:_/N: _ _
(PAL input) U. CAL. OK N: P:_/N: P: _
(HD input) U. CAL. OK N: P:H/N: P: H
  
```

When "Check XXXX V-IN" is displayed, Video signal necessary for the measurement while measuring it last time was not detected and it became an error. Confirm the input of the video of the terminal connection etc., and measure the [MEMORY/ENTER] button again pressing.

7. Input PAL color bars signal from the color pattern generator.
8. Perform step 4 to 6.
9. Input HD color bars signal (720p or 1080p) from the color pattern generator.
10. Perform step 4 to 6.

FM AUTO STOP CHECK



Procedure:

1. Turn on the set.
2. Input the following signal from signal generator to FM antenna input directly.

Carrier frequency: A = 87.5 MHz, B = 98 MHz, C = 108 MHz

Deviation : 75 kHz

Modulation : 1 kHz

ANT input : 35 dBu (EMF)

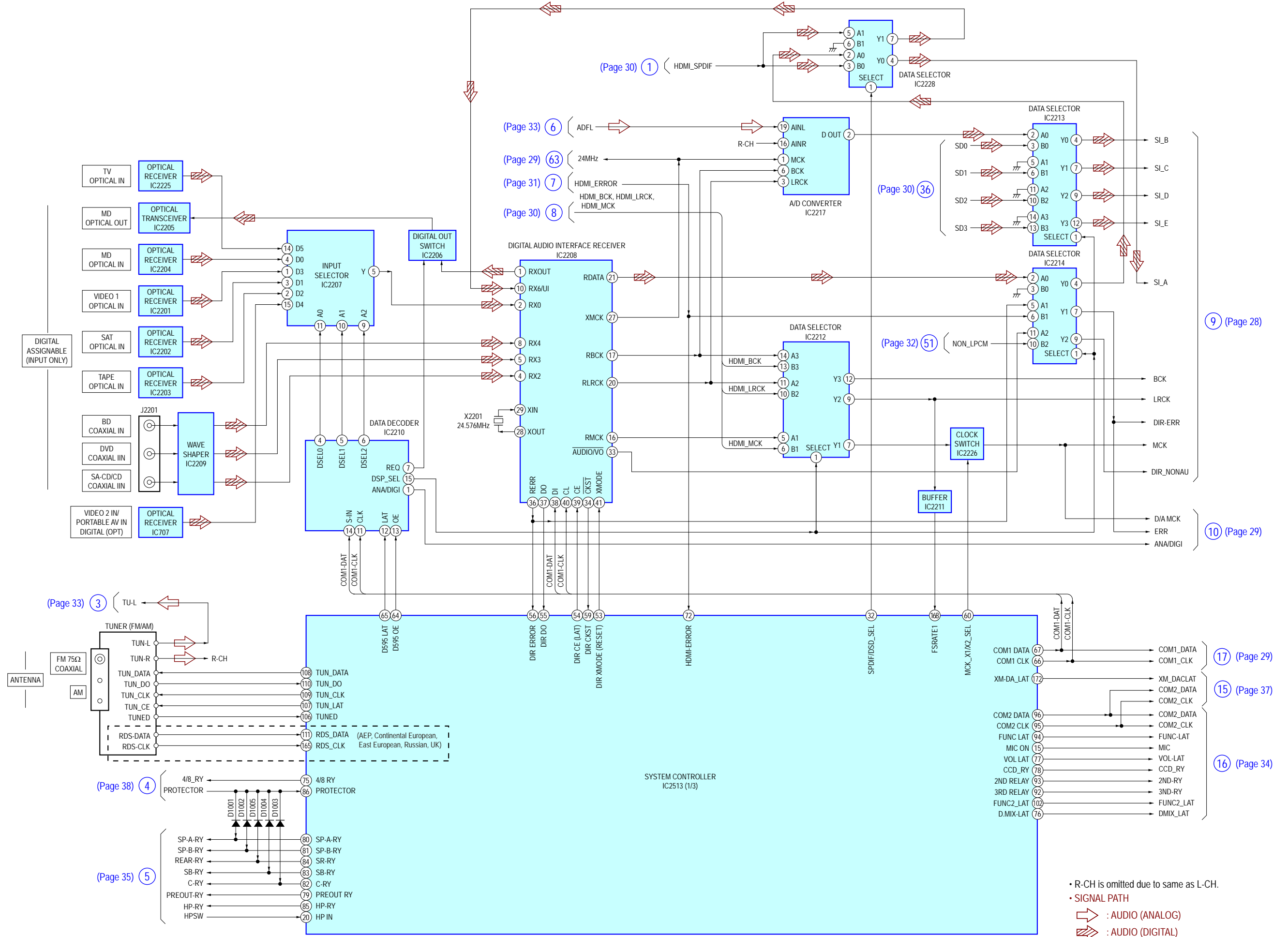
Note: Use 75 ohm coaxial cable to connect signal generator and the set.
You cannot use video cable for checking.
Use signal generator whose output impedance is 75 ohm.

3. Set to FM tuner function and scan the input FM signal with automatic scanning.
4. Confirm that input frequency of A, B and C are detected and automatic scanning stops.

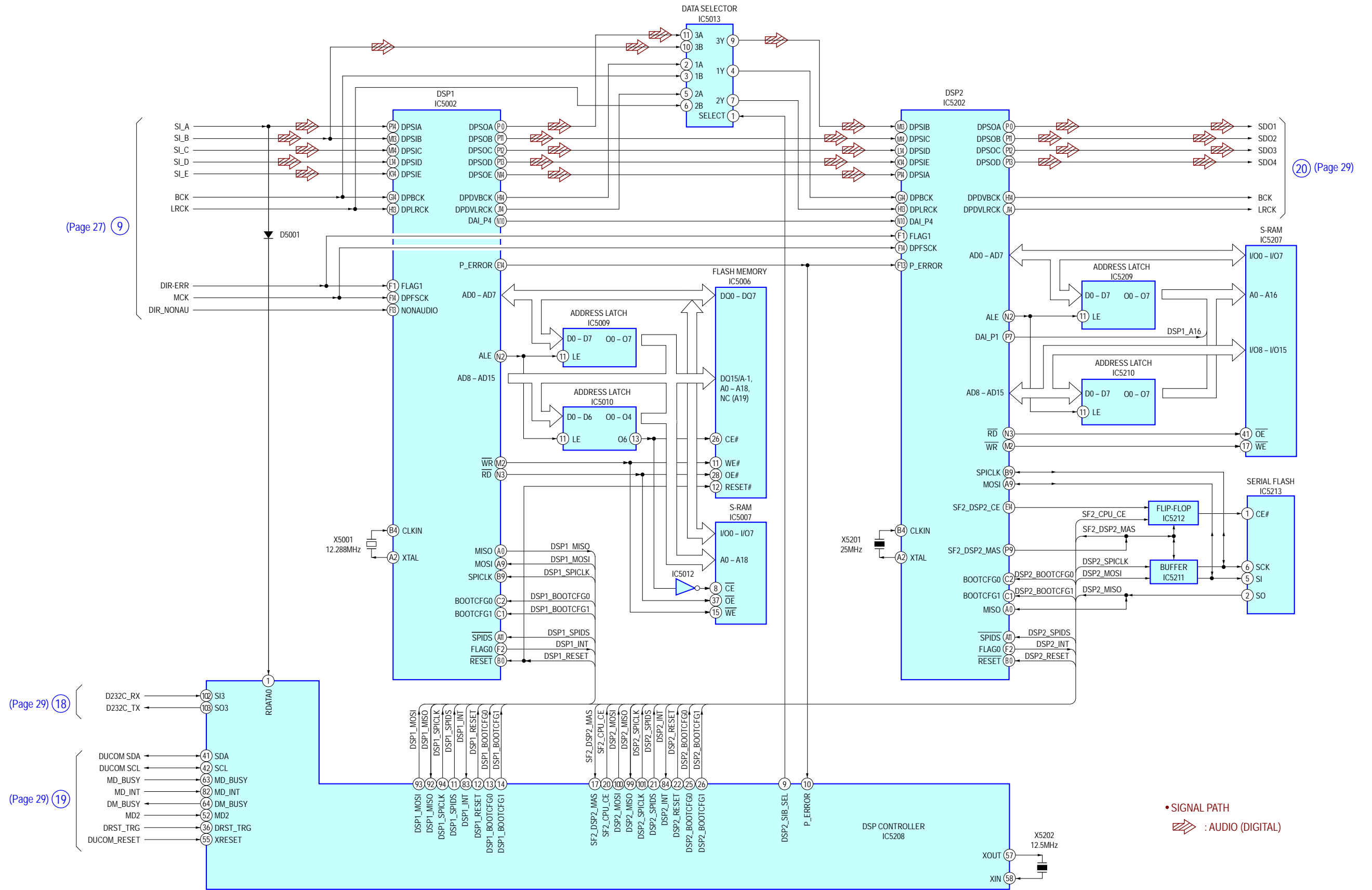
When the station signal is received in good condition, automatic scanning stops.

SECTION 6
DIAGRAMS

6-1. BLOCK DIAGRAM - CONTROL Section -



6-2. BLOCK DIAGRAM - DSP Section -



(Page 27) 9

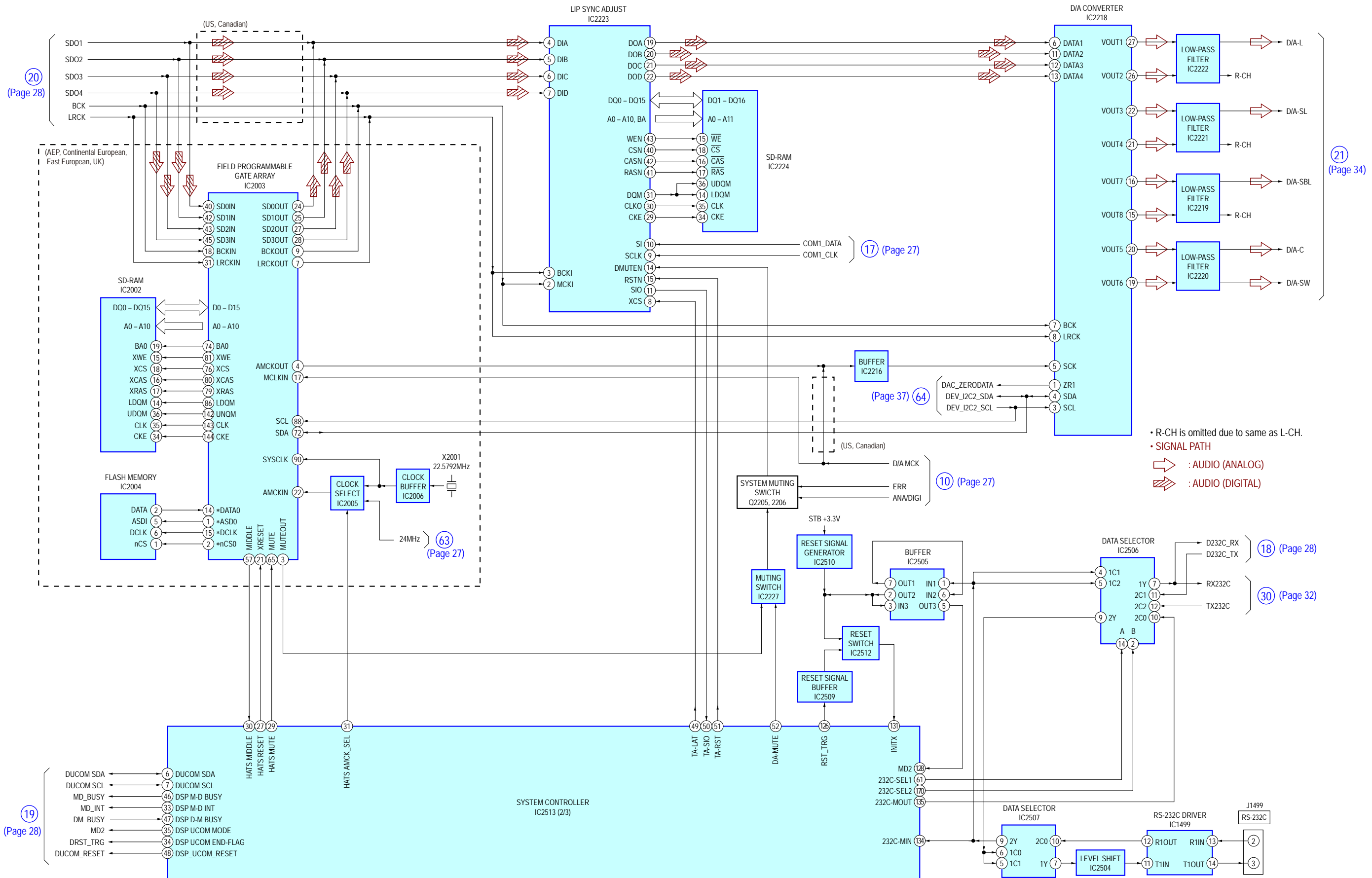
(Page 29) 18

(Page 29) 19

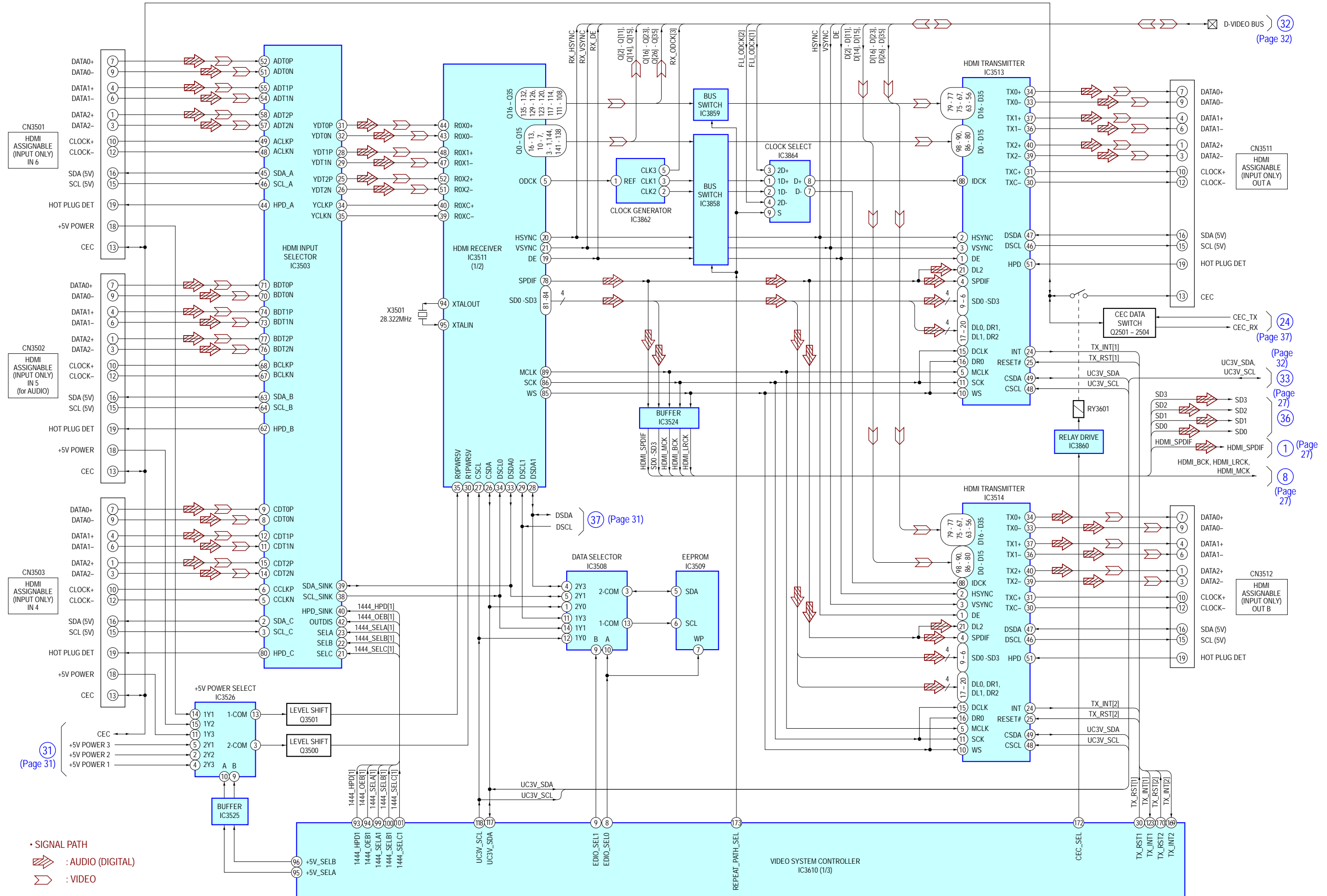
20 (Page 29)

• SIGNAL PATH
 : AUDIO (DIGITAL)

6-3. BLOCK DIAGRAM - DIGITAL AUDIO Section -



6-4. BLOCK DIAGRAM - HDMI Section (1/2) -



(Page 32)

(Page 37)

(Page 32)

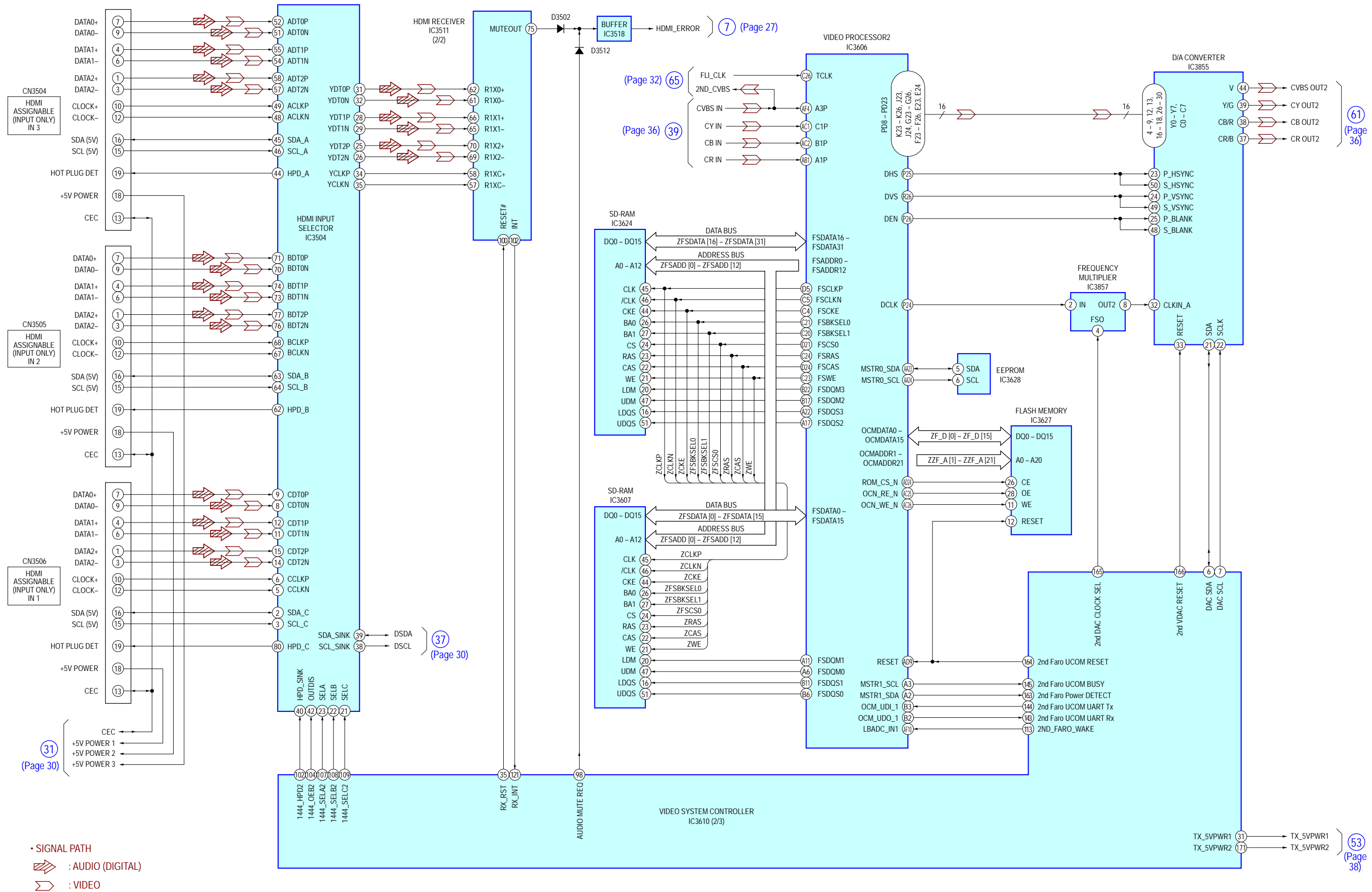
(Page 27)

(Page 36)

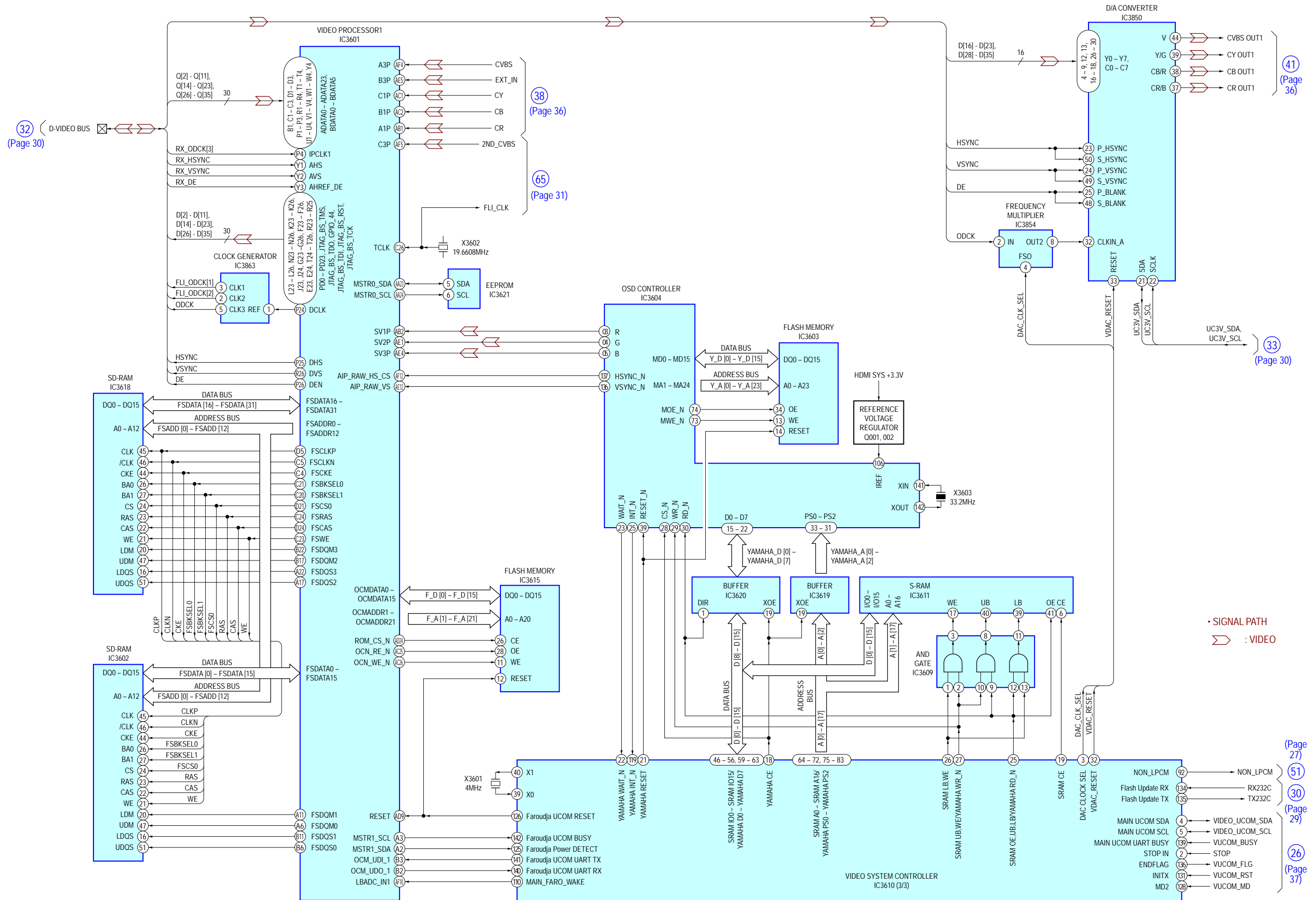
(Page 27)

(Page 27)

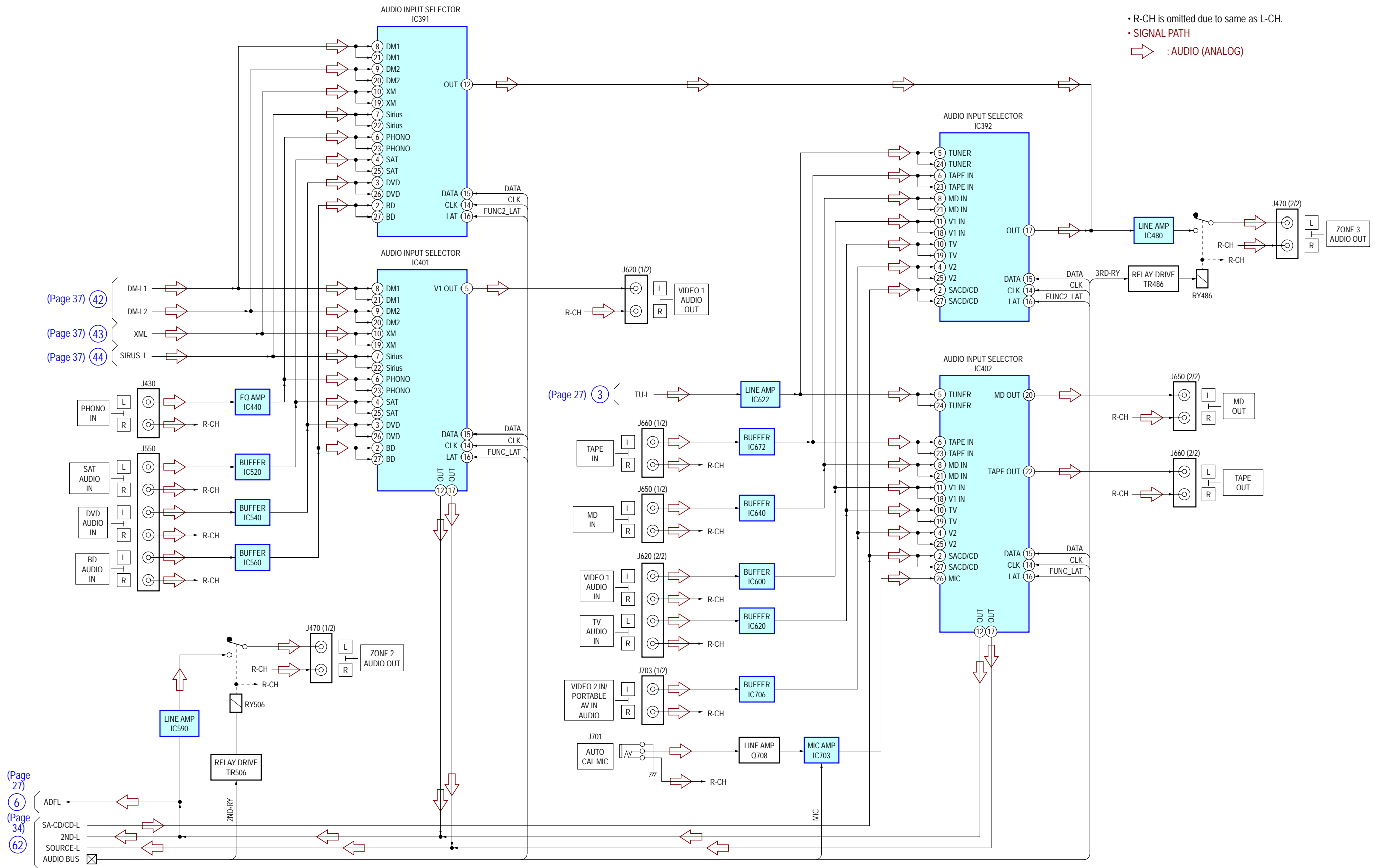
6-5. BLOCK DIAGRAM - HDMI Section (2/2) -



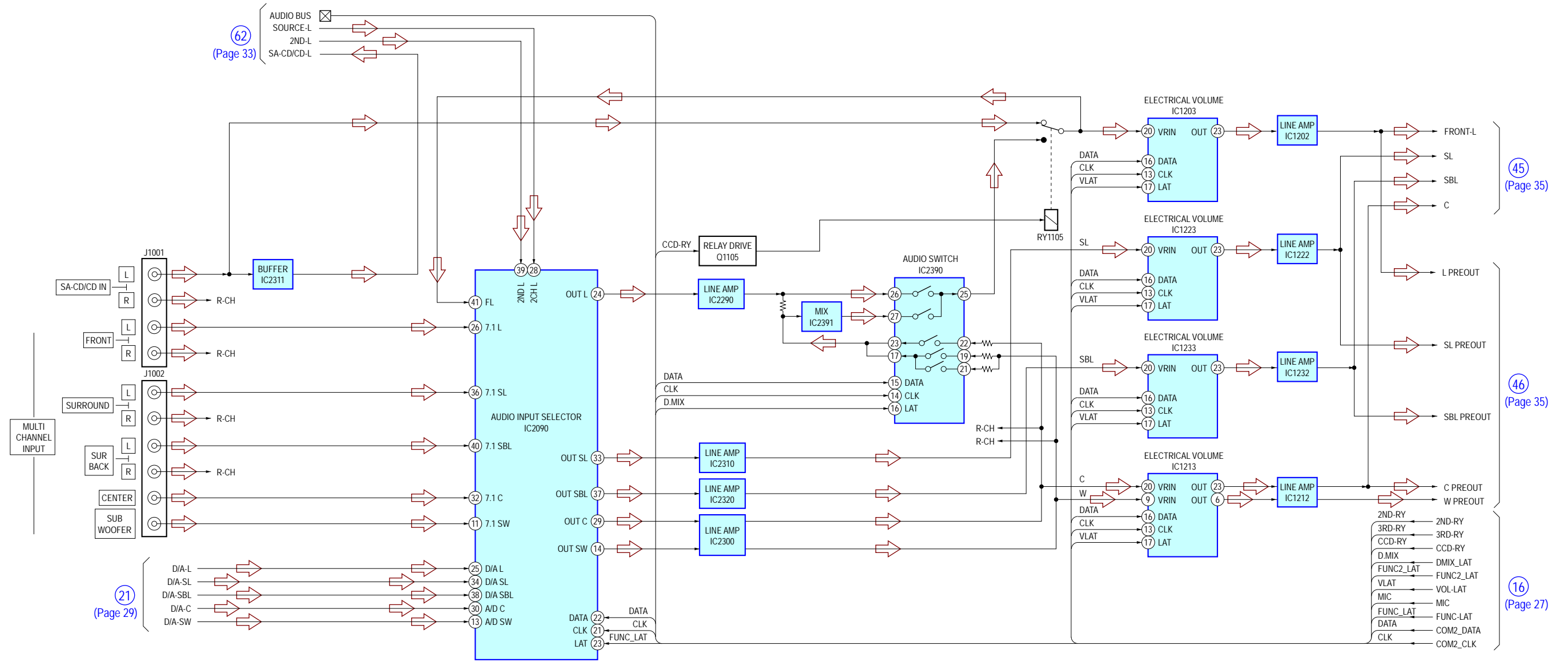
6-6. BLOCK DIAGRAM - VIDEO PROCESS Section -



6-7. BLOCK DIAGRAM - ANALOG AUDIO Section (1/2) -



6-8. BLOCK DIAGRAM - ANALOG AUDIO Section (2/2) -



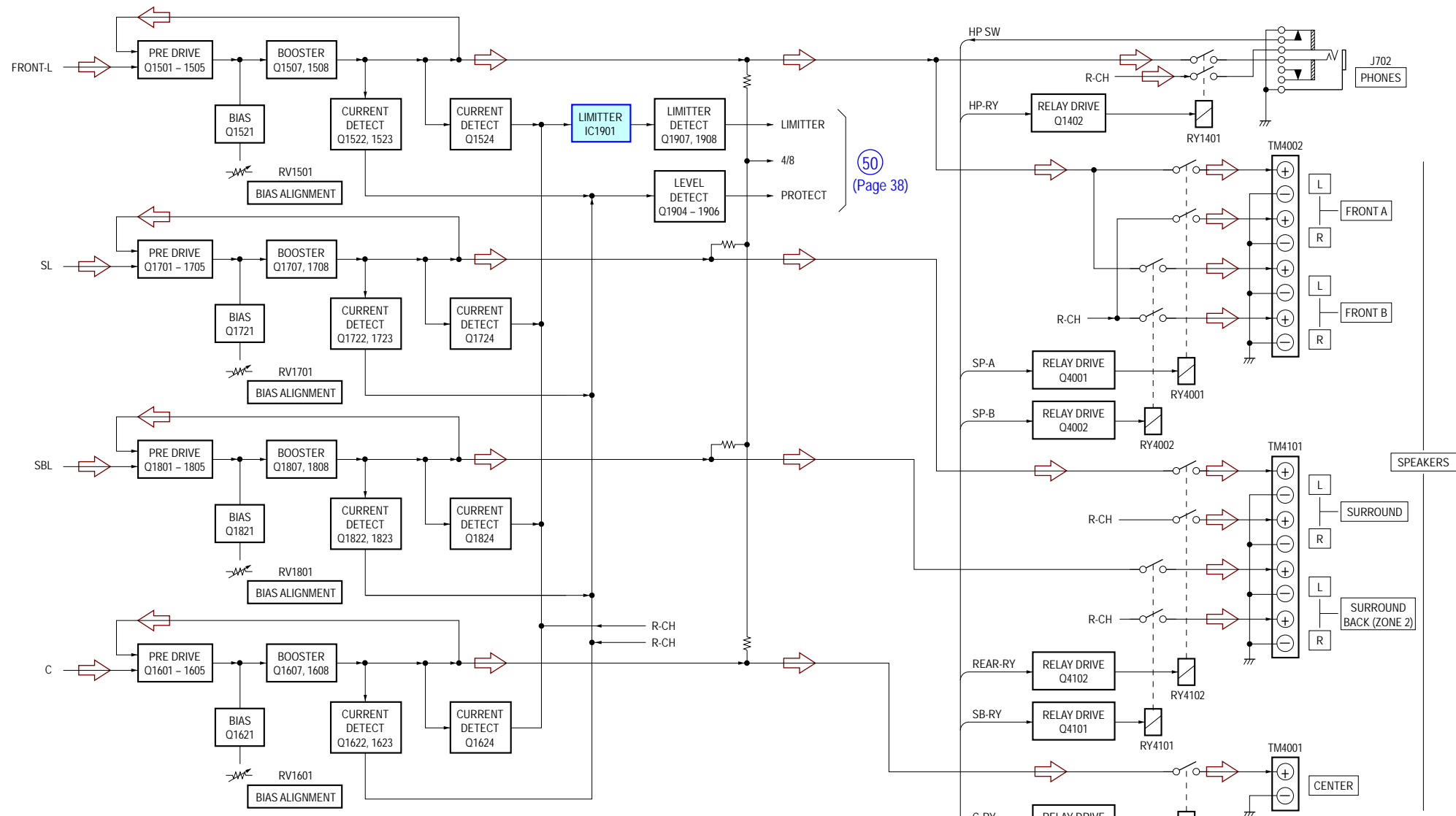
• R-CH is omitted due to same as L-CH.

• SIGNAL PATH

➡ : AUDIO (ANALOG)

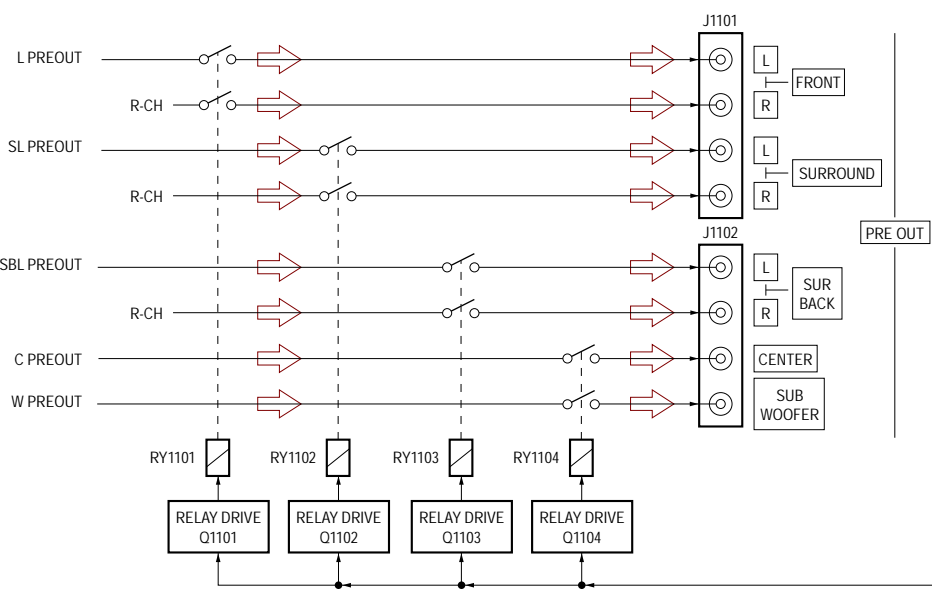
6-9. BLOCK DIAGRAM - POWER AMP Section -

45
(Page 34)



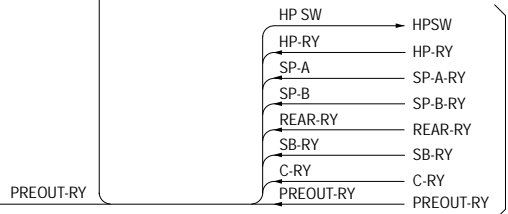
50
(Page 38)

46
(Page 34)

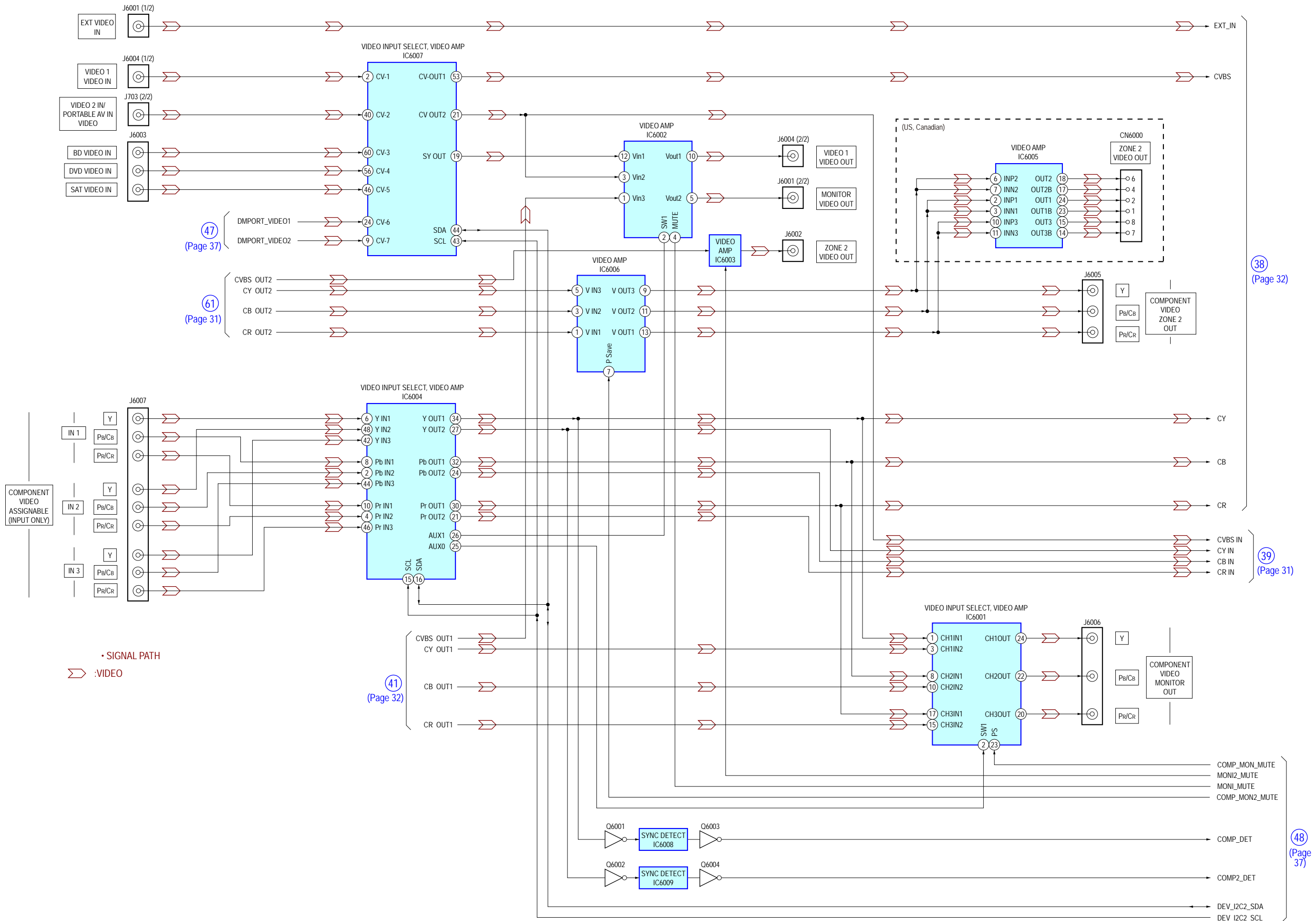


• R-CH is omitted due to same as L-CH.
• SIGNAL PATH
⇒ : AUDIO (ANALOG)

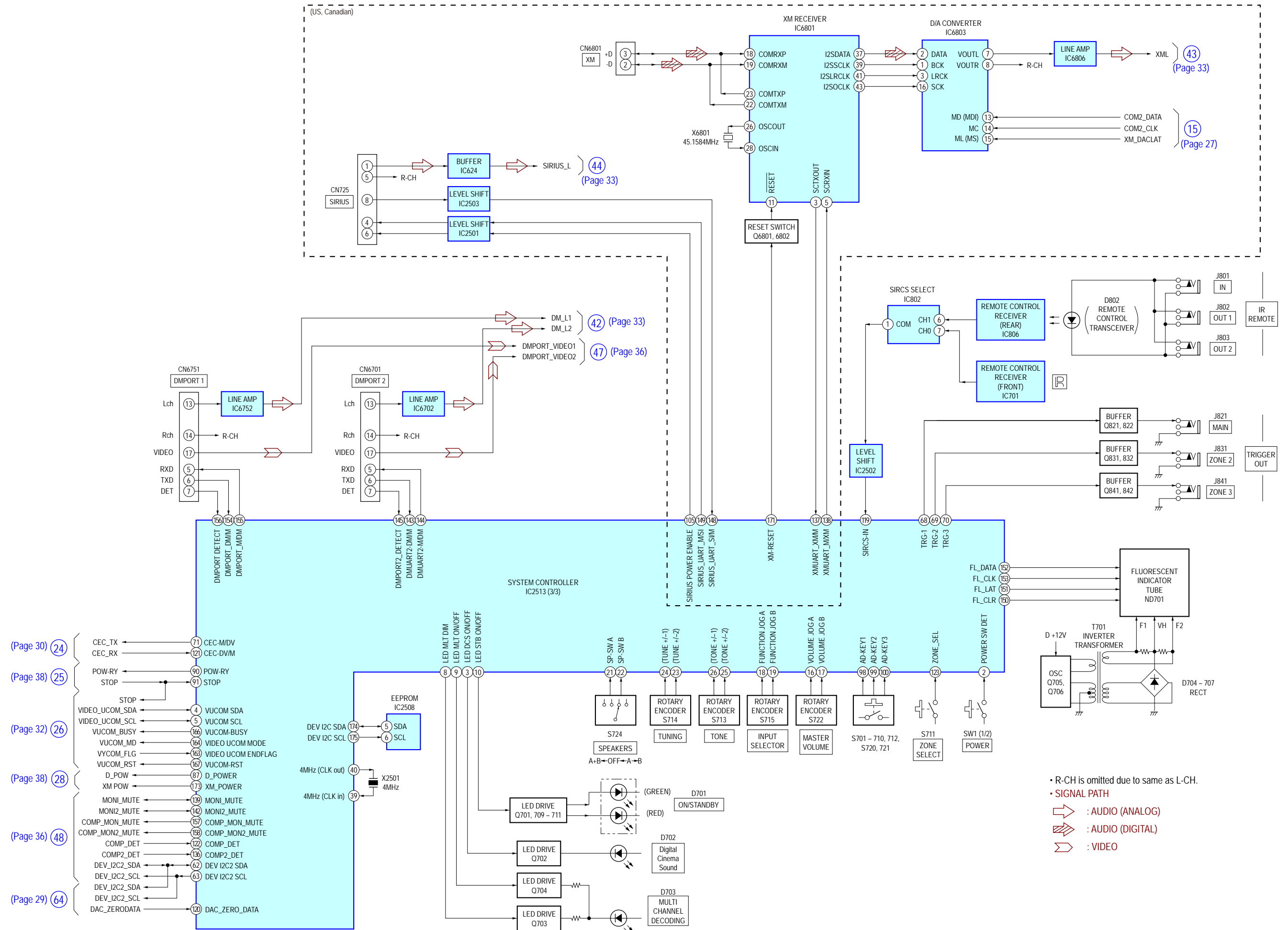
5
(Page 27)



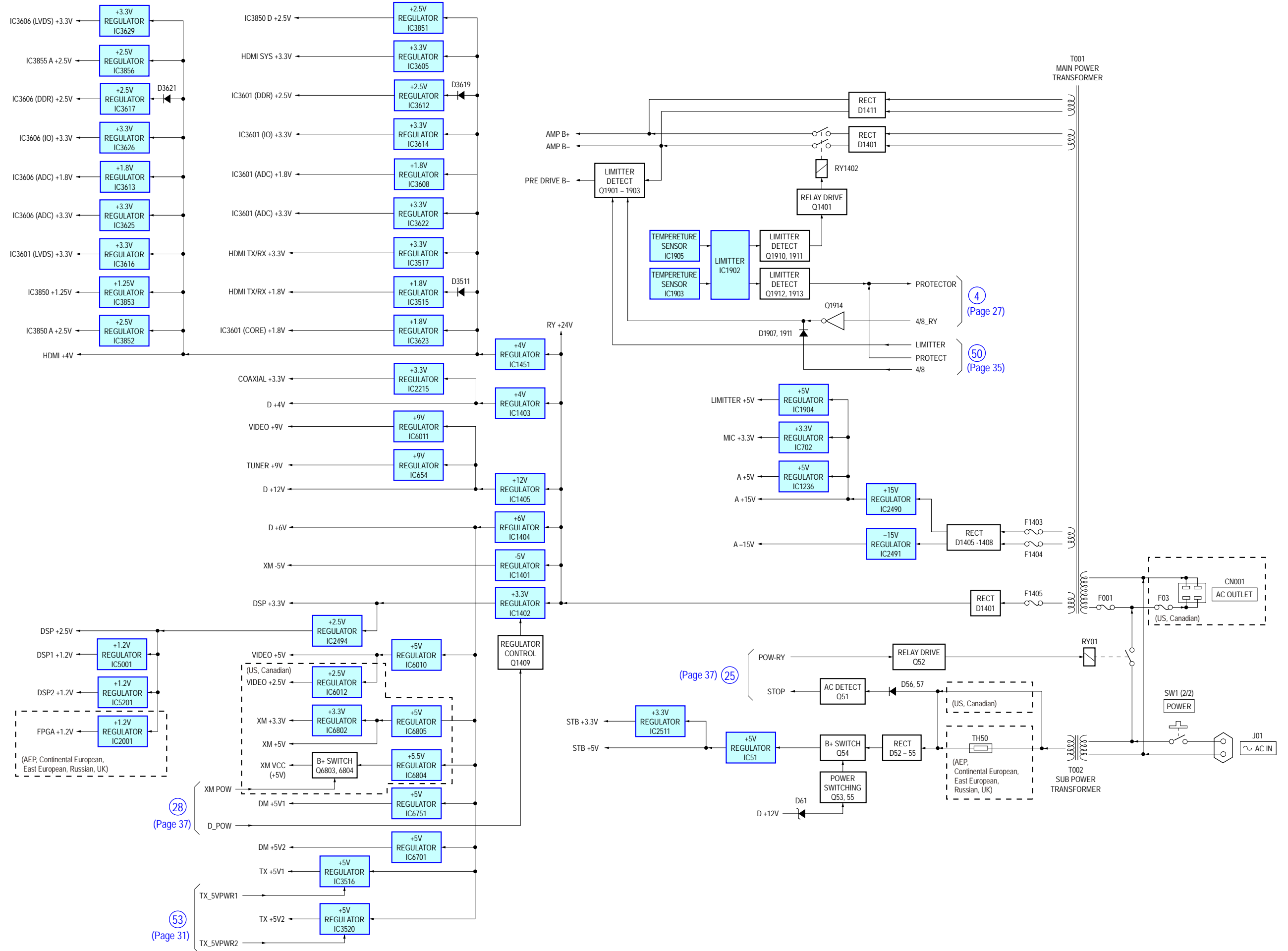
6-10. BLOCK DIAGRAM - VIDEO Section -



6-11. BLOCK DIAGRAM - PANEL, CIS, XM/SIRIUS RECEIVER, DMPort Section -



6-12. BLOCK DIAGRAM - POWER SUPPLY Section -



THIS NOTE IS COMMON FOR PRINTED WIRING BOARDS AND SCHEMATIC DIAGRAMS.
(In addition to this, the necessary note is printed in each block.)

For Printed Wiring Boards.

Note:

- : Parts extracted from the component side.
- : Parts extracted from the conductor side.
- △: internal component.
- : Pattern from the side which enables seeing. (The other layers' patterns are not indicated.)

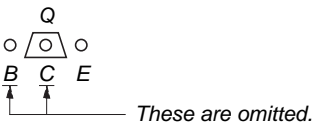
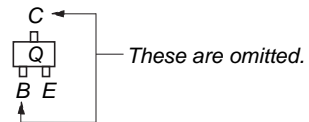
Caution:

Pattern face side: Parts on the pattern face side seen from the pattern face are indicated.
 (Conductor Side)
 Parts face side: Parts on the parts face side seen from the parts face are indicated.
 (Component Side)

Caution:

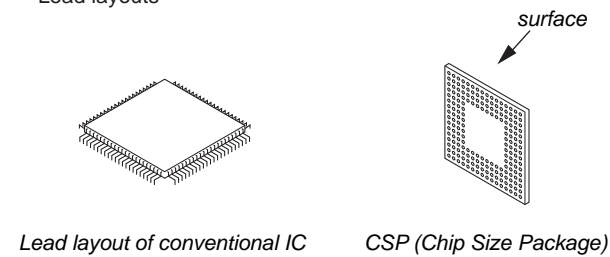
Pattern face side: Parts on the pattern face side seen from the pattern face are indicated.
 (SIDE B)
 Parts face side: Parts on the parts face side seen from the parts face are indicated.
 (SIDE A)

- D VIDEO and DSP boards are multi-layer printed board. However, the patterns of intermediate-layers have not been included in this diagrams.
- Indication of transistor.



* Replacement of IC3601 on the D VIDEO board used in this set requires a special tool.

- Lead layouts



For Schematic Diagrams.

Note:

- All capacitors are in μF unless otherwise noted. (p: pF) 50 WV or less are not indicated except for electrolytics and tantalums.
- All resistors are in Ω and 1/4 W or less unless otherwise specified.
- △: internal component.
- ⊞: nonflammable resistor.
- : panel designation.

Note:

The components identified by mark △ or dotted line with mark △ are critical for safety. Replace only with part number specified.

Note:

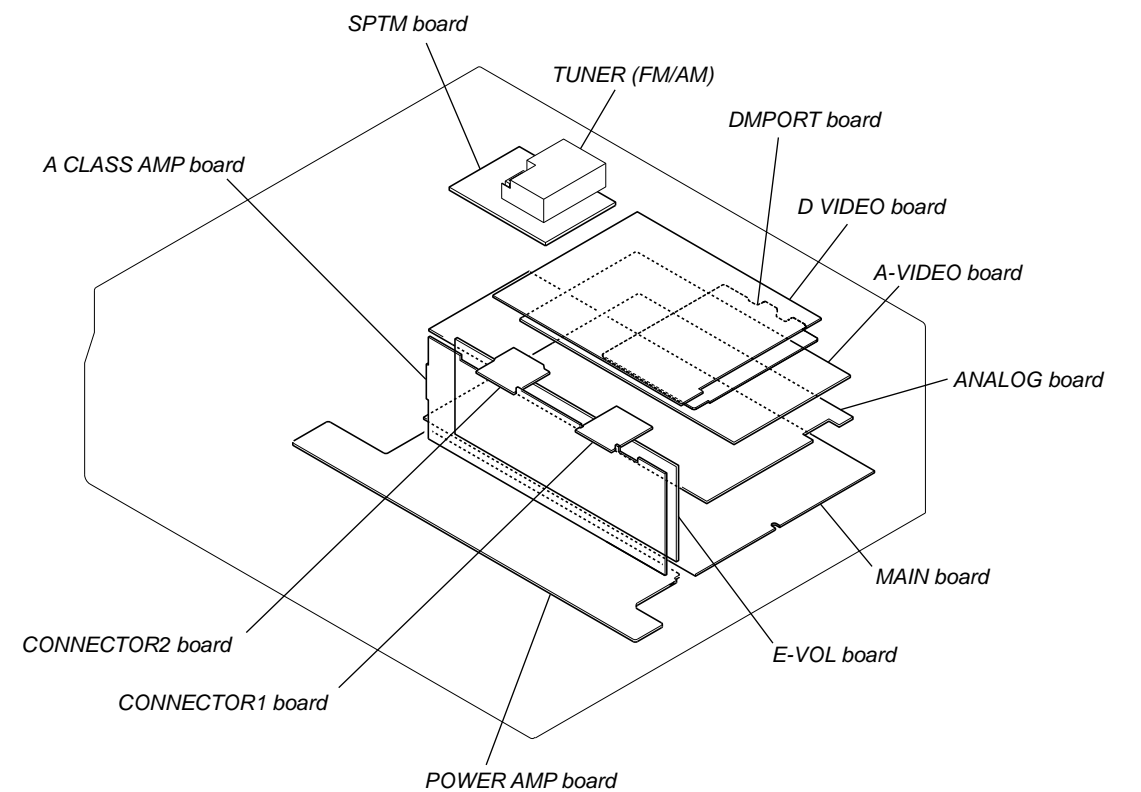
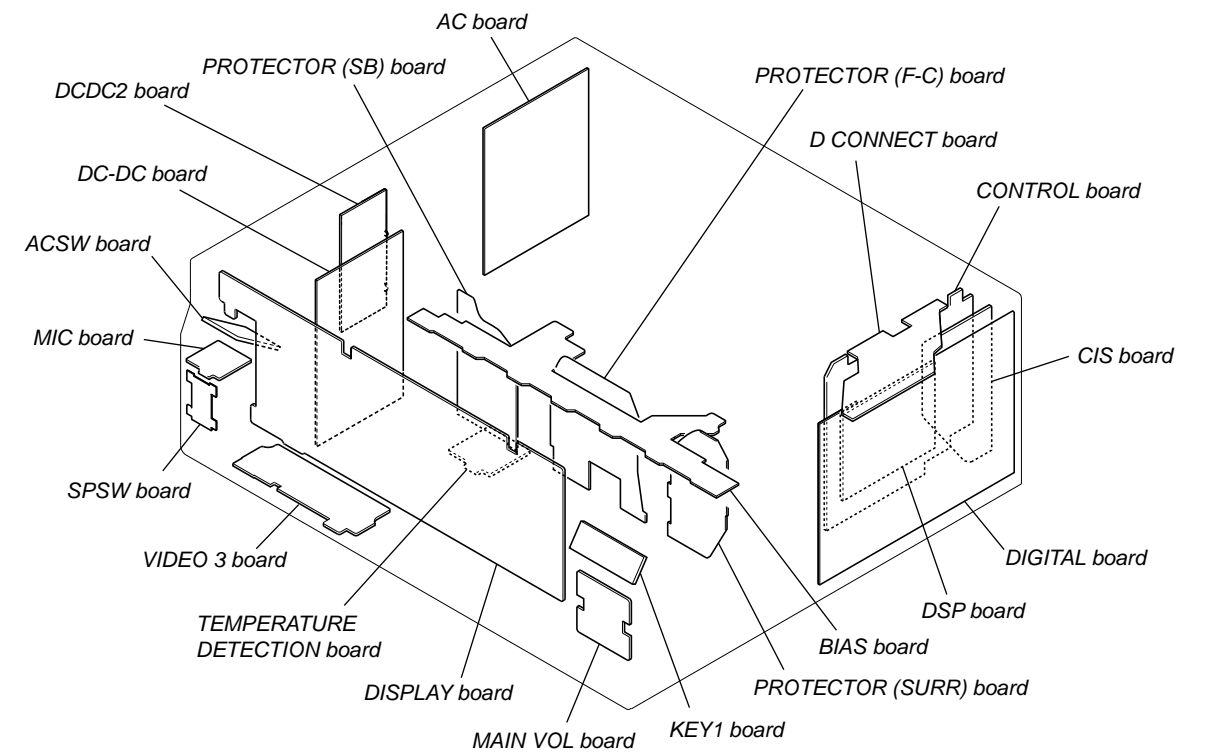
Les composants identifiés par une marque △ sont critiques pour la sécurité. Ne les remplacer que par une pièce portant le numéro spécifié.

- : B+ Line.
- - -: B- Line.
- : adjustment for repair.
- Voltagés and waveforms are dc with respect to ground under no-signal (detuned) conditions.
 - A-VIDEO board - no mark: VIDEO 1 mode
 - Other boards - no mark: TUNER
- Voltagés are taken with VOM (Input impedance 10 M Ω). Voltage variations may be noted due to normal production tolerances.
- Waveforms are taken with a oscilloscope. Voltage variations may be noted due to normal production tolerances.
- Circled numbers refer to waveforms.
- Signal path.
 - ⇒: AUDIO (ANALOG)
 - ⇒: AUDIO (DIGITAL)
 - ⇒: VIDEO

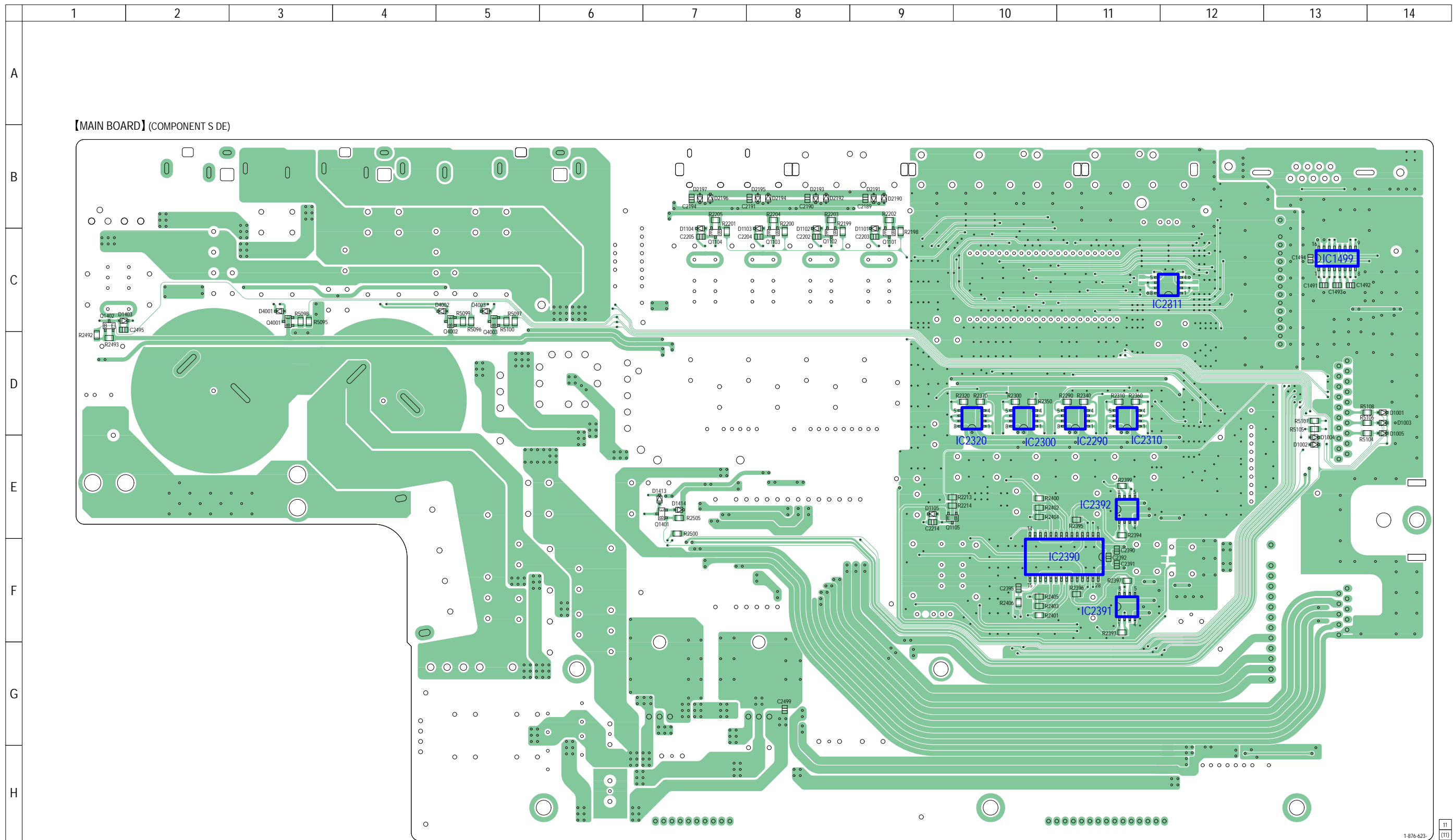
* Replacement of IC3601 on the D VIDEO board used in this set requires a special tool.

- The voltage and waveform of CSP (chip size package) cannot be measured, because its lead layout is different from that of conventional IC.
- Abbreviation
 - CND : Canadian model
 - ECE : Continental European, East European and Russian models

• Circuit Boards Location



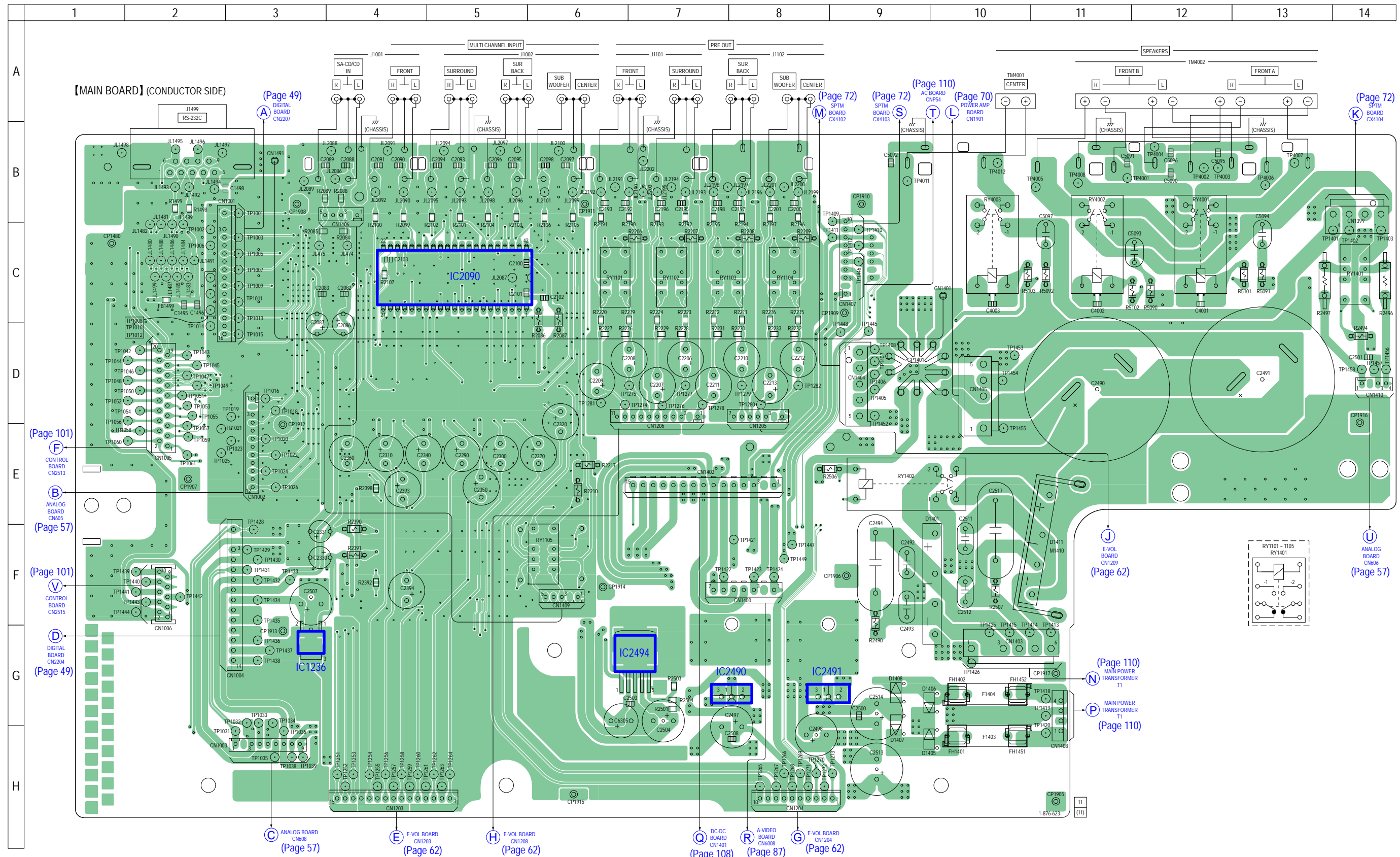
6-13. PRINTED WIRING BOARD - MAIN Board (Component Side) - • See page 39 for Circuit Boards Location. •  : Uses unleaded solder.



• Semiconductor Location

Ref. No.	Location	Ref. No.	Location	Ref. No.	Location	Ref. No.	Location	Ref. No.	Location	Ref. No.	Location	Ref. No.	Location	Ref. No.	Location
D1001	D-14	D1101	C-9	D1403	C-1	D2192	B-8	D2197	B-7	IC1499	C-13	IC2320	D-10	Q1101	C-9
D1002	E-13	D1102	C-8	D1413	E-7	D2193	B-8	D4001	C-3	IC2290	D-11	IC2390	F-11	Q1102	C-8
D1003	D-14	D1103	C-8	D1414	E-7	D2194	B-8	D4002	C-5	IC2300	D-10	IC2391	F-11	Q1103	C-8
D1004	E-13	D1104	C-7	D2190	B-9	D2195	B-8	D4003	C-5	IC2310	D-11	IC2392	E-11	Q1104	C-7
D1005	D-14	D1105	E-9	D2191	B-9	D2196	B-7			IC2311	C-12			Q1105	E-9
														Q1401	E-7
														Q1402	C-1
														Q4001	C-3
														Q4002	C-5
														Q4003	C-5

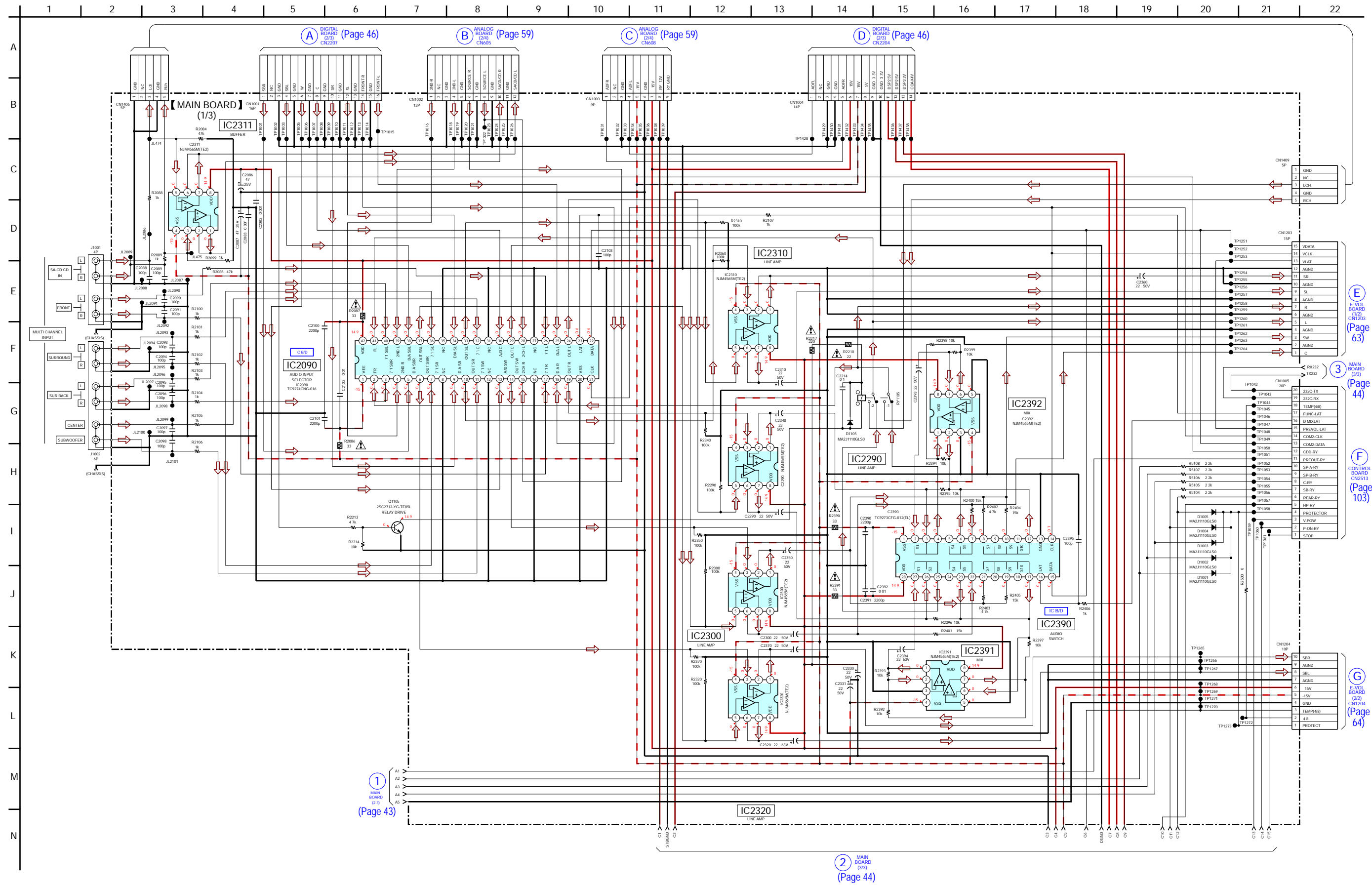
6-14. PRINTED WIRING BOARD - MAIN Board (Conductor Side) - • See page 39 for Circuit Boards Location. • **LF** : Uses unleaded solder.



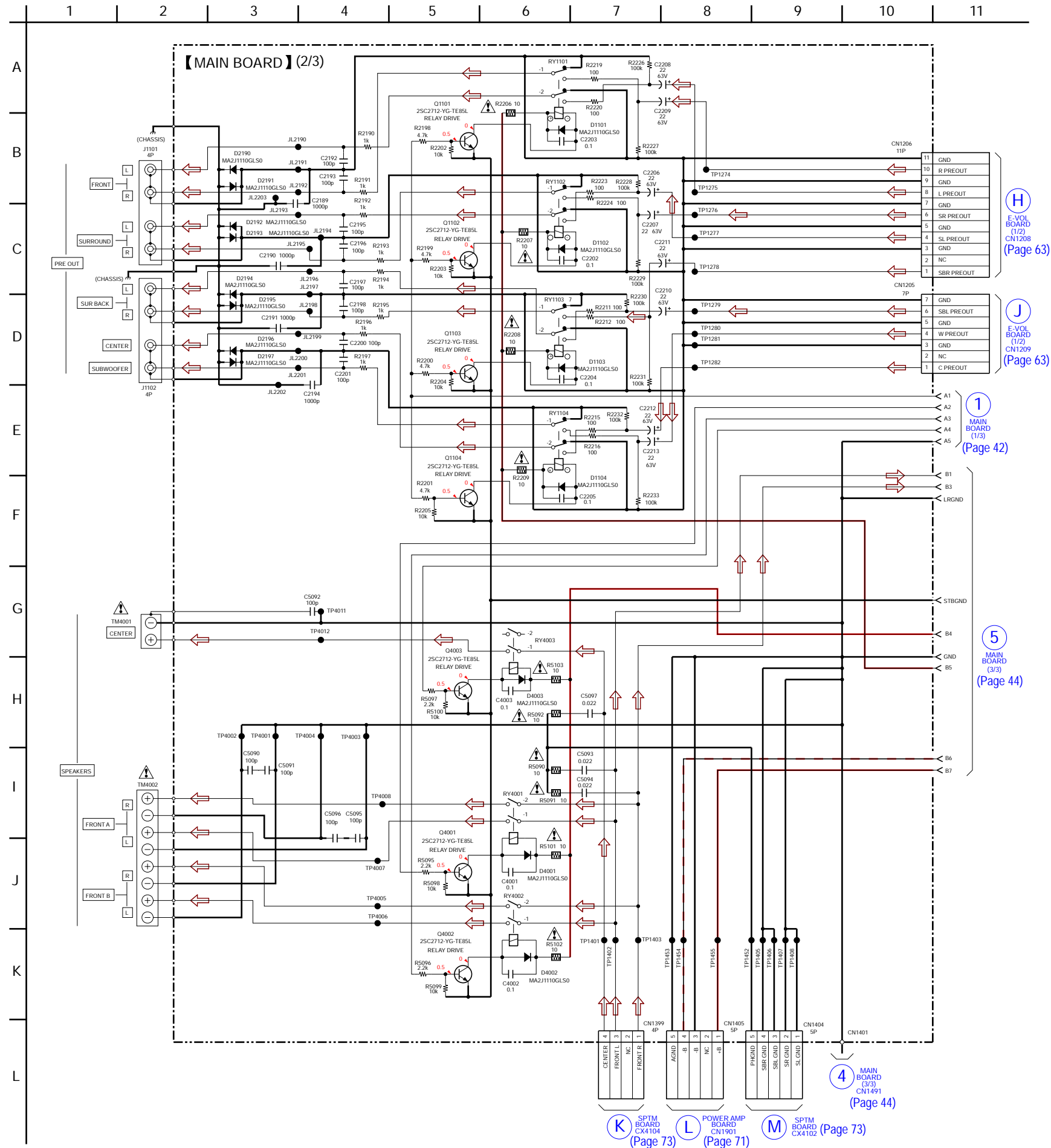
• Semiconductor Location

Ref. No.	Location	Ref. No.	Location	Ref. No.	Location
D1401	F-10	D1411	F-11	IC2491	G-8
D1405	H-9			IC2494	G-7
D1406	G-9	IC1236	G-3		
D1407	H-9	IC2090	C-5		
D1408	G-9	IC2490	G-8		

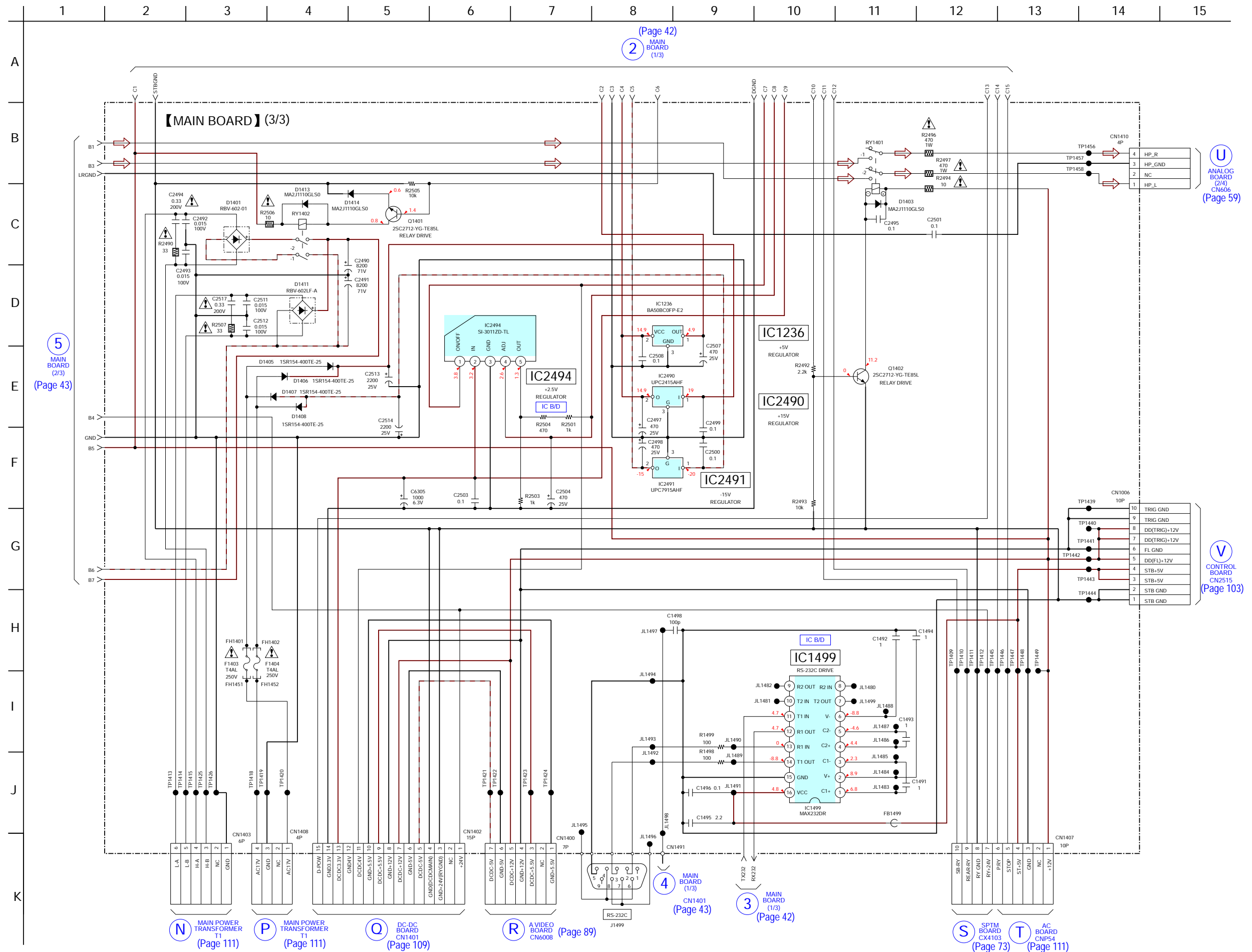
6-15. SCHEMATIC DIAGRAM - MAIN Board (1/3) - See page 112 for IC Block Diagrams.



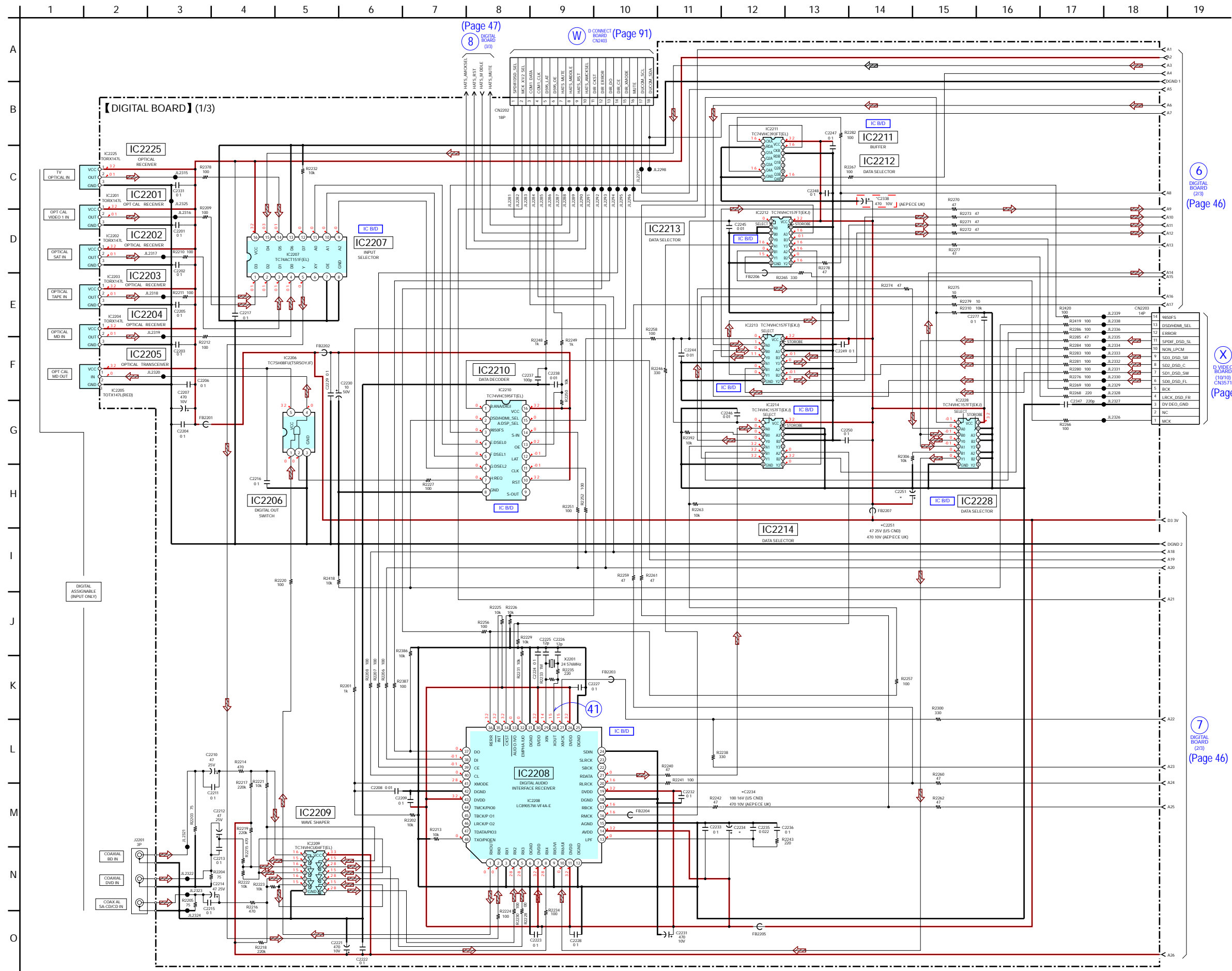
6-16. SCHEMATIC DIAGRAM - MAIN Board (2/3) -



6-17. SCHEMATIC DIAGRAM - MAIN Board (3/3) - • See page 112 for IC Block Diagrams.



6-18. SCHEMATIC DIAGRAM - DIGITAL Board (1/3) - • See page 107 for waveforms. • See page 112 for IC Block Diagrams.

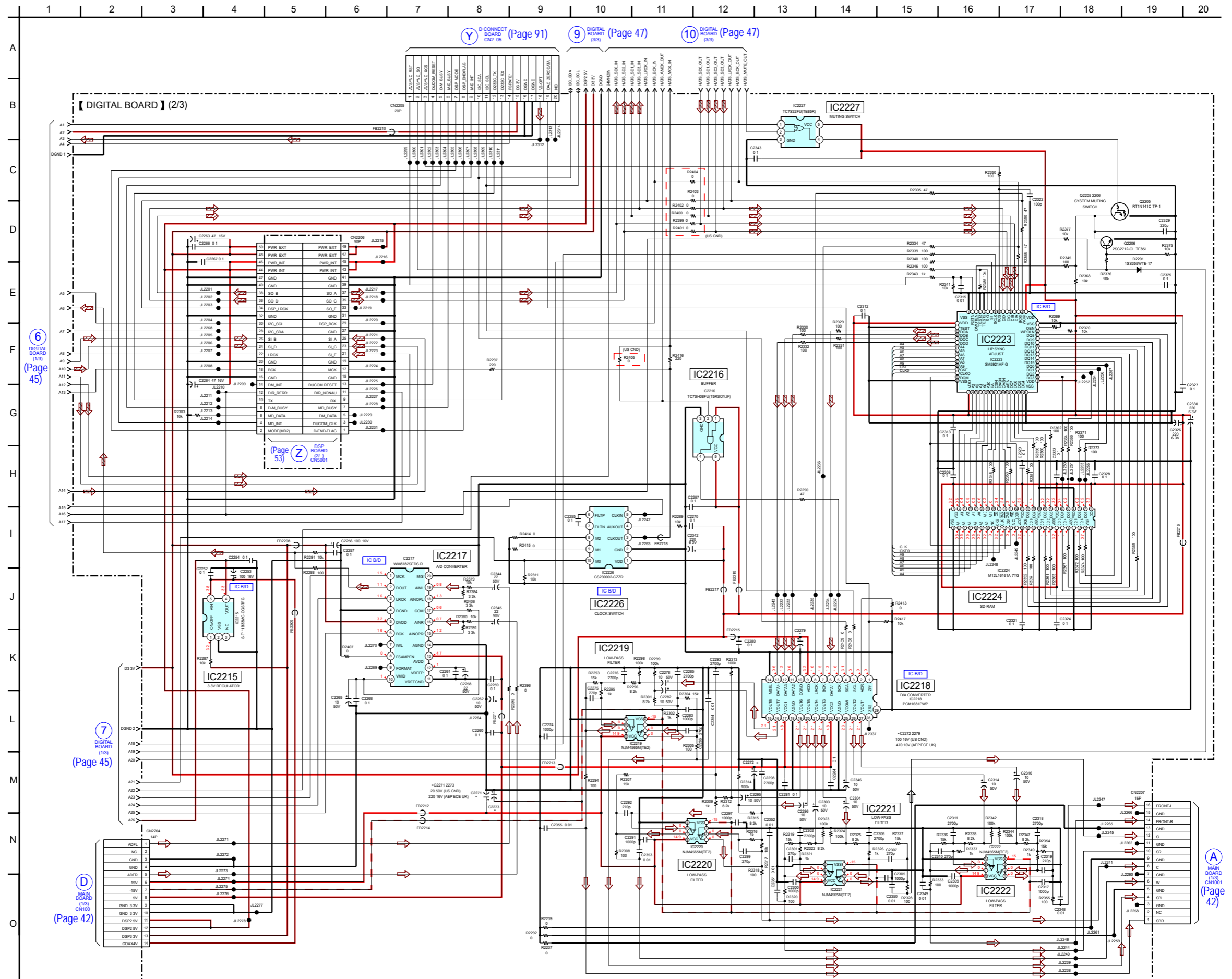


6 DIGITAL BOARD (2/3) (Page 46)

X VIDEO BOARD (1010) CN357 (Page 85)

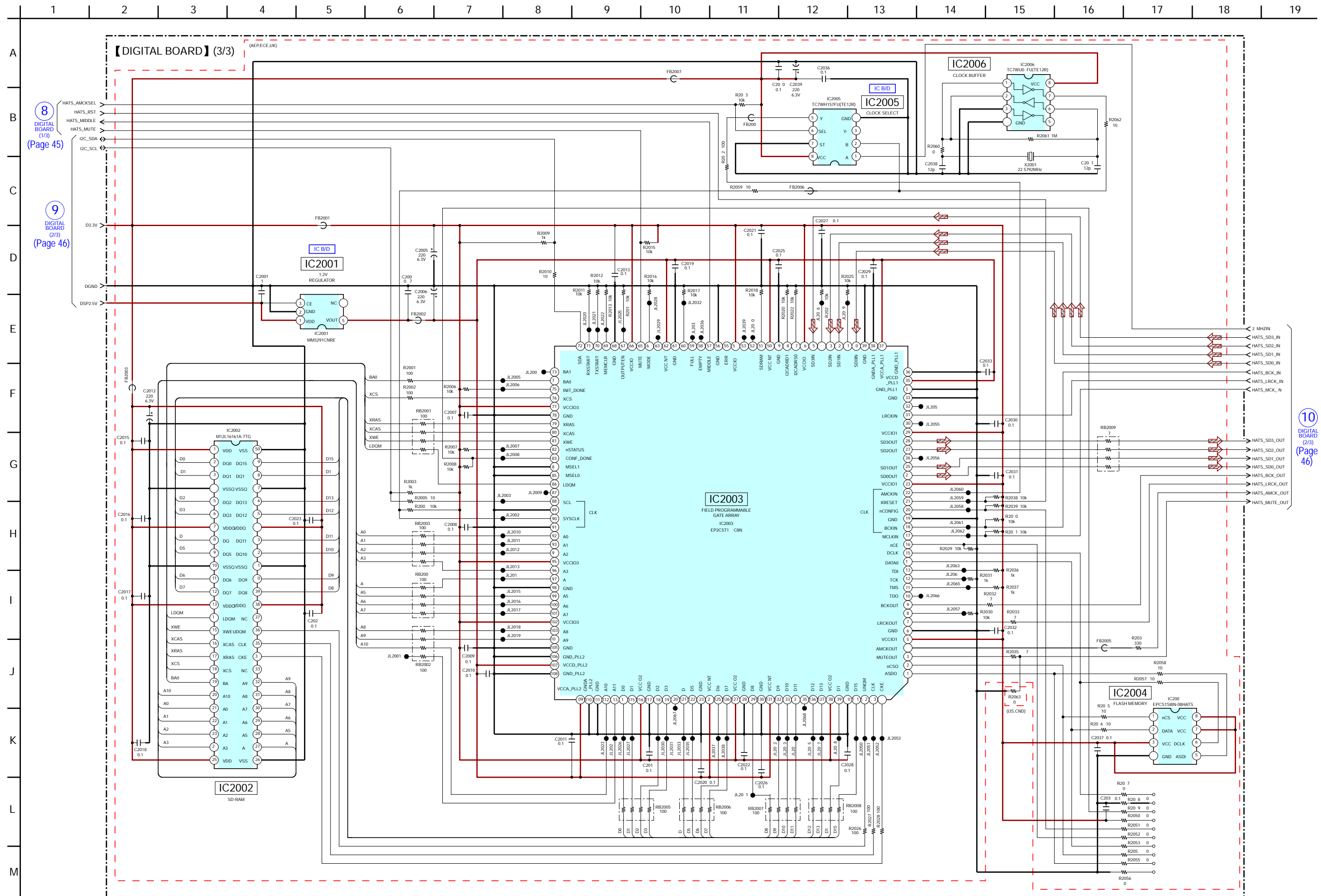
7 DIGITAL BOARD (2/3) (Page 46)


6-19. SCHEMATIC DIAGRAM - DIGITAL Board (2/3) - • See page 112 for IC Block Diagrams.



(A) MAIN BOARD (1/3) CN1001 (Page 42)

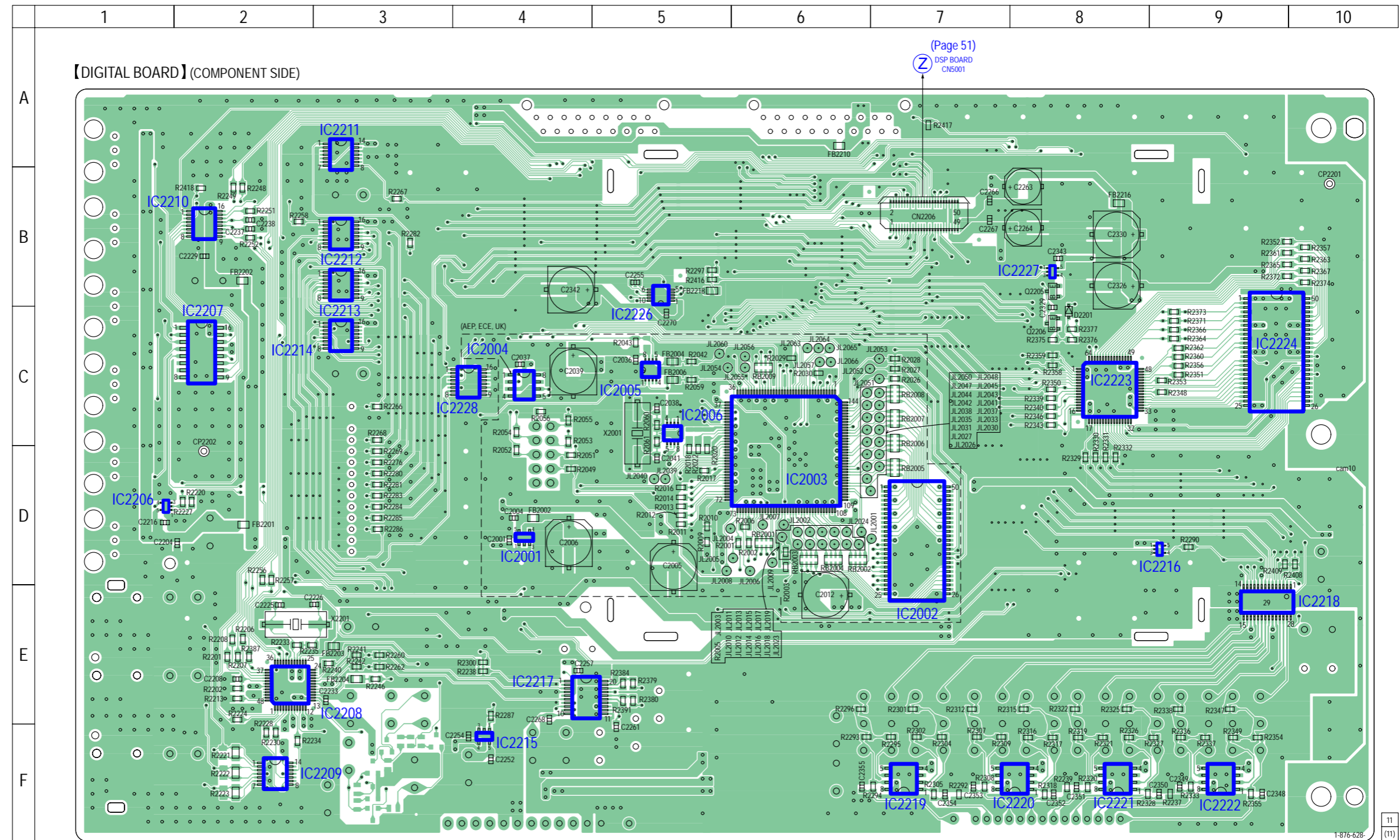
6-20. SCHEMATIC DIAGRAM - DIGITAL Board (3/3) - See page 112 for IC Block Diagrams. See page 127 for IC Pin Function Description.




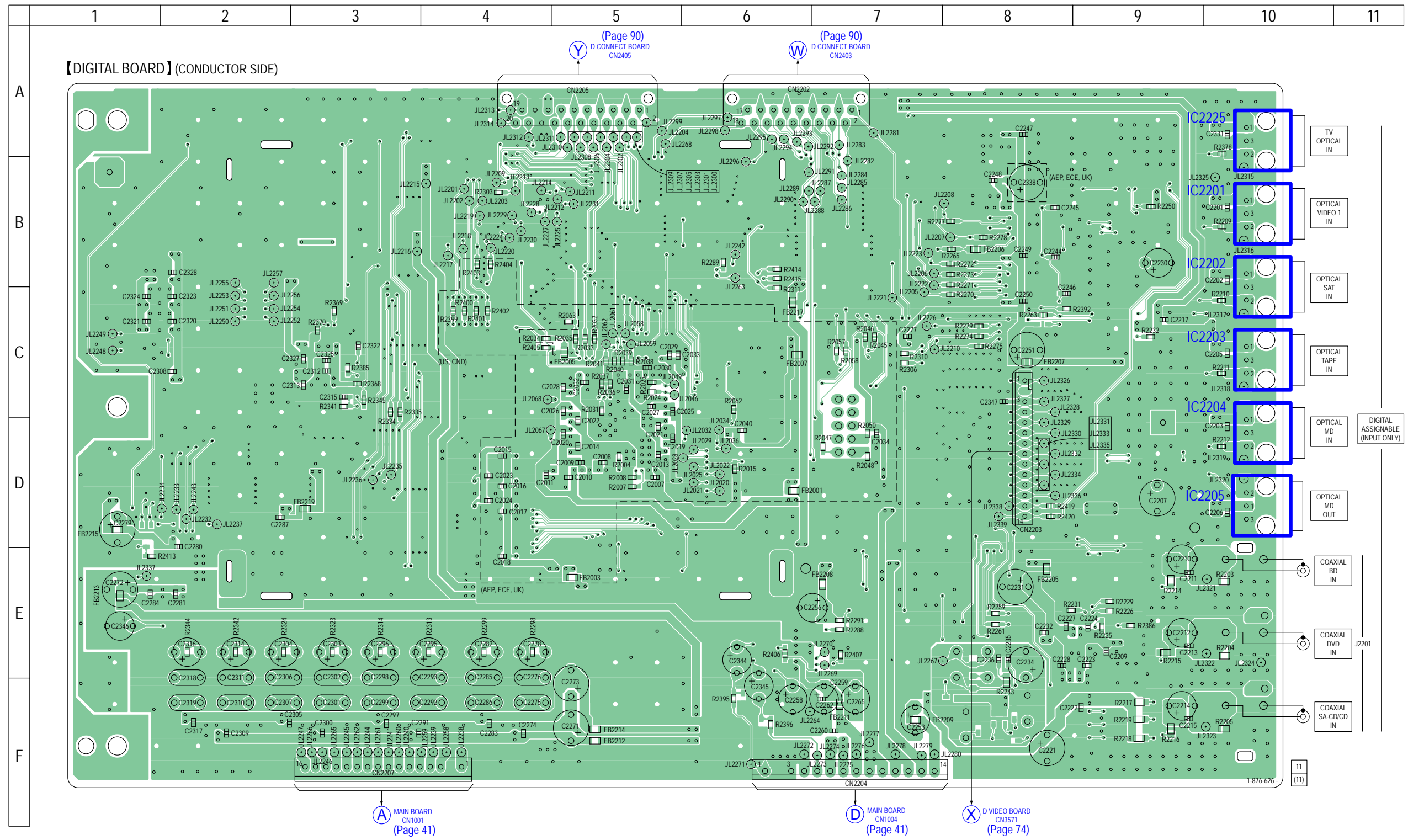
6-21. PRINTED WIRING BOARD - DIGITAL Board (Component Side) - • See page 39 for Circuit Boards Location. •  : Uses unleaded solder.

• Semiconductor Location

Ref. No.	Location
D2201	C-8
IC2001	D-4
IC2002	D-7
IC2003	D-6
IC2004	C-4
IC2005	C-5
IC2006	C-5
IC2206	D-1
IC2207	C-2
IC2208	E-2
IC2209	F-2
IC2210	B-2
IC2211	A-3
IC2212	B-3
IC2213	B-3
IC2214	C-3
IC2215	F-4
IC2216	D-9
IC2217	E-4
IC2218	E-9
IC2219	F-7
IC2220	F-8
IC2221	F-8
IC2222	F-9
IC2223	C-8
IC2224	C-9
IC2226	B-5
IC2227	B-8
IC2228	C-4
Q2205	B-8
Q2206	C-8




6-22. PRINTED WIRING BOARD - DIGITAL Board (Conductor Side) - • See page 39 for Circuit Boards Location. •  : Uses unleaded solder.



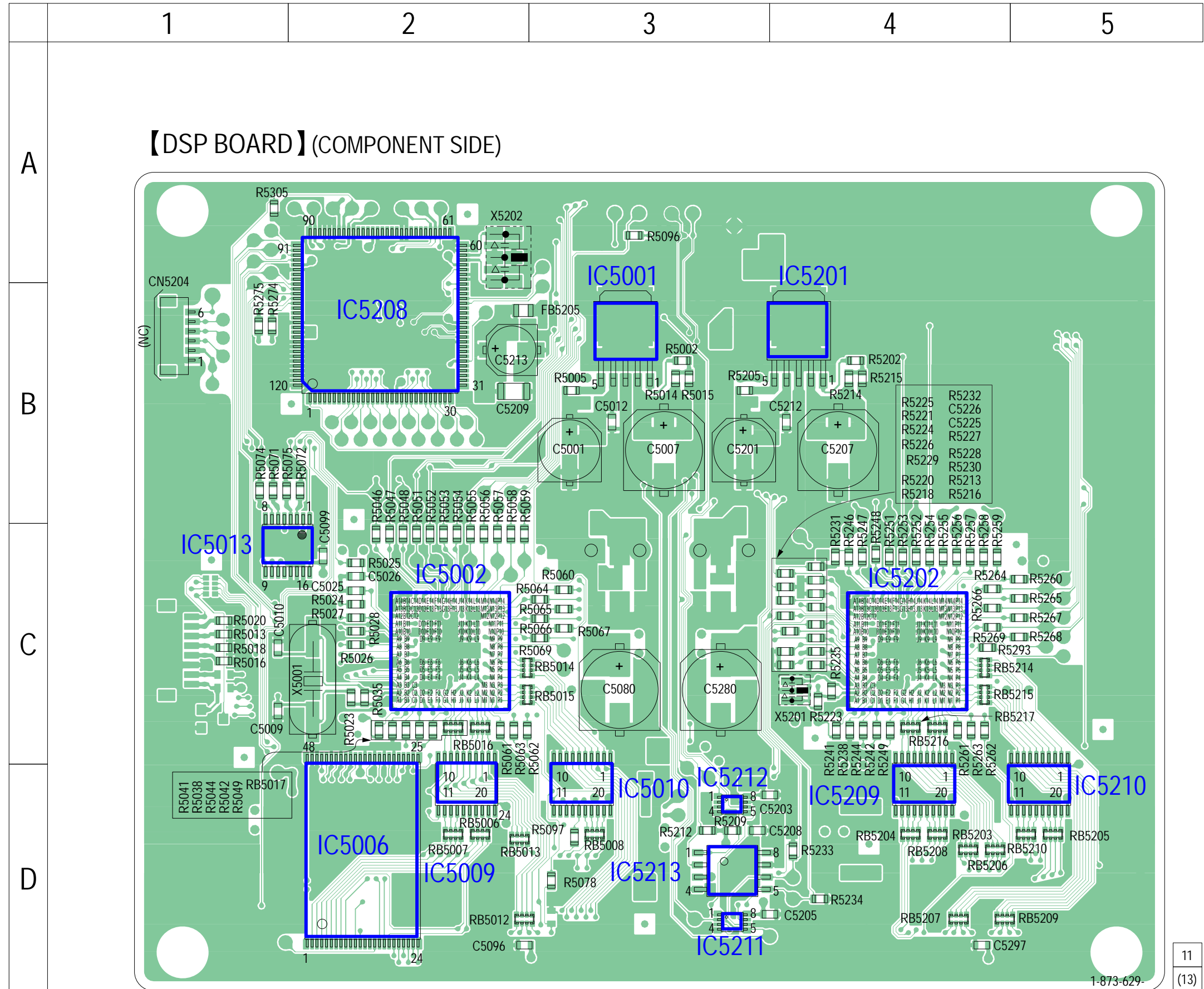
• Semiconductor Location

Ref. No.	Location
IC2201	B-10
IC2202	B-10
IC2203	C-10
IC2204	D-10
IC2205	D-10
IC2225	A-10


6-23. PRINTED WIRING BOARD - DSP Board (Component Side) - • See page 39 for Circuit Boards Location. •  : Uses unleaded solder.

• Semiconductor Location

Ref. No.	Location
IC5001	B-3
IC5002	C-2
IC5006	D-2
IC5009	D-2
IC5010	D-3
IC5013	C-1
IC5201	B-4
IC5202	C-4
IC5208	B-2
IC5209	D-4
IC5210	D-5
IC5211	D-3
IC5212	D-3
IC5213	D-3

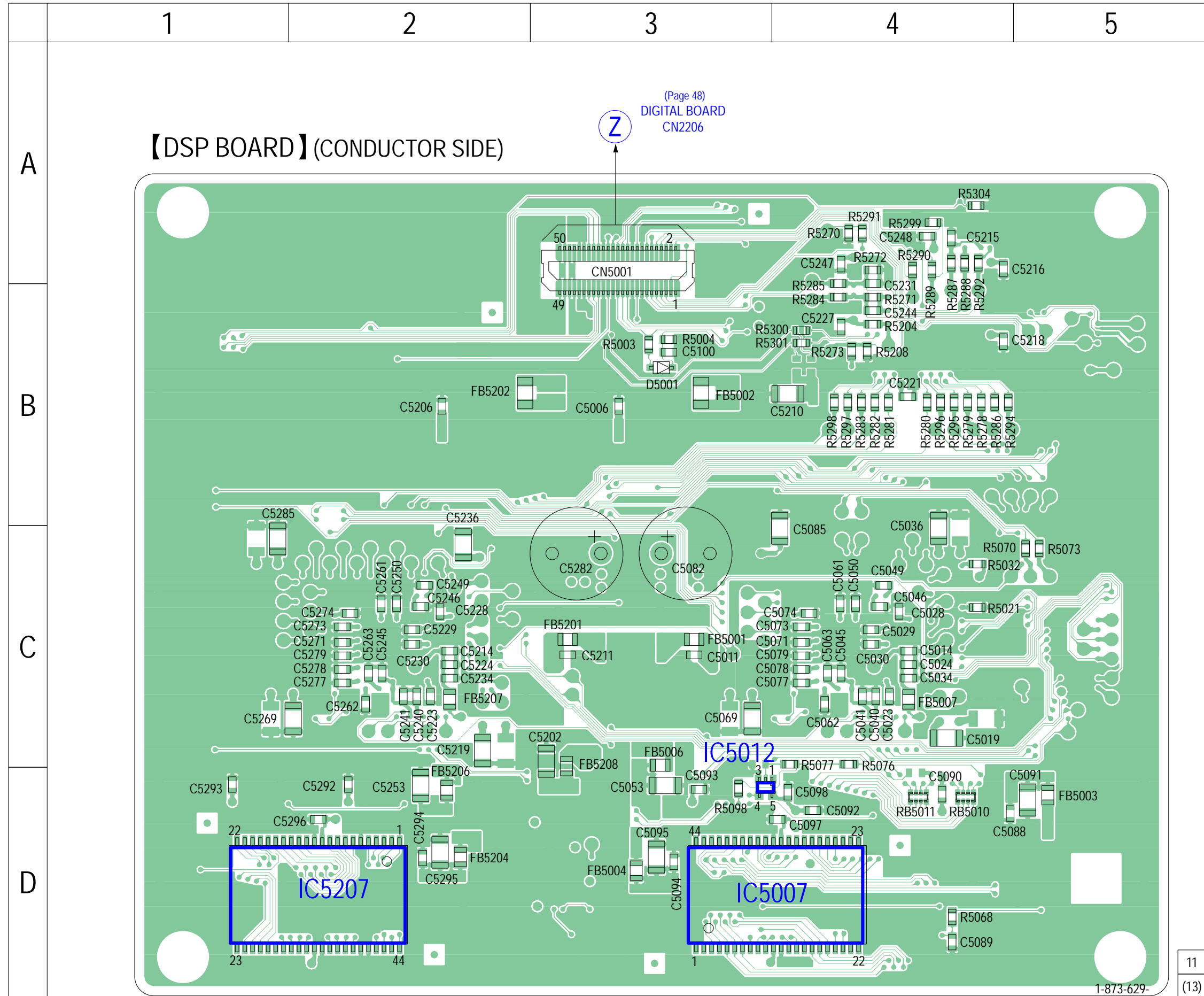


Note: IC5002 and IC5202 cannot exchange with single. When these parts are damaged, exchange the entire mounted board.

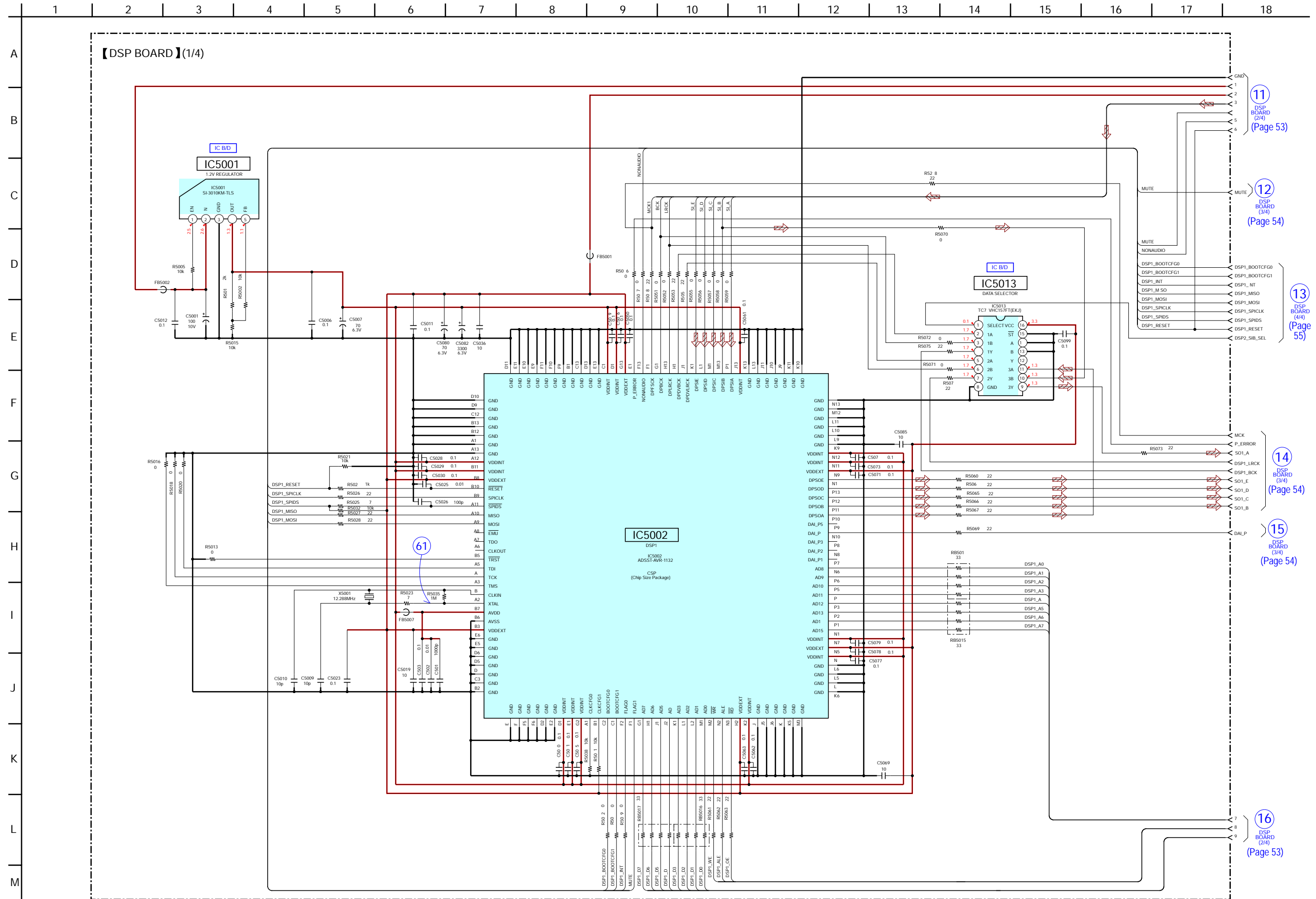
6-24. PRINTED WIRING BOARD - DSP Board (Conductor Side) - • See page 39 for Circuit Boards Location. •  : Uses unleaded solder.

• Semiconductor Location

Ref. No.	Location
D5001	B-3
IC5007	D-4
IC5012	D-3
IC5207	D-2

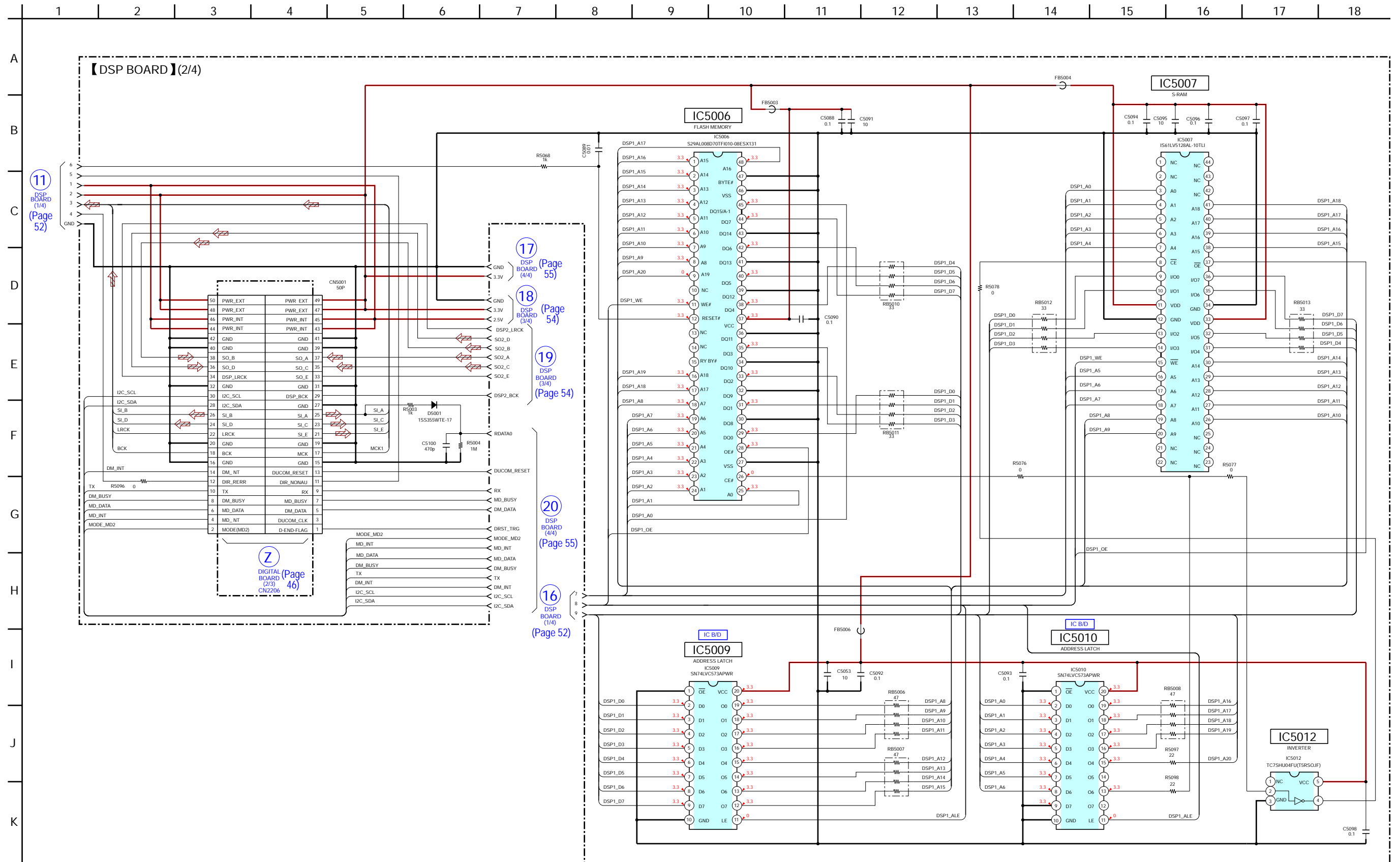


6-25. SCHEMATIC DIAGRAM - DSP Board (1/4) - • See page 107 for waveforms. • See page 112 for IC Block Diagrams. • See page 127 for IC Pin Function Description.

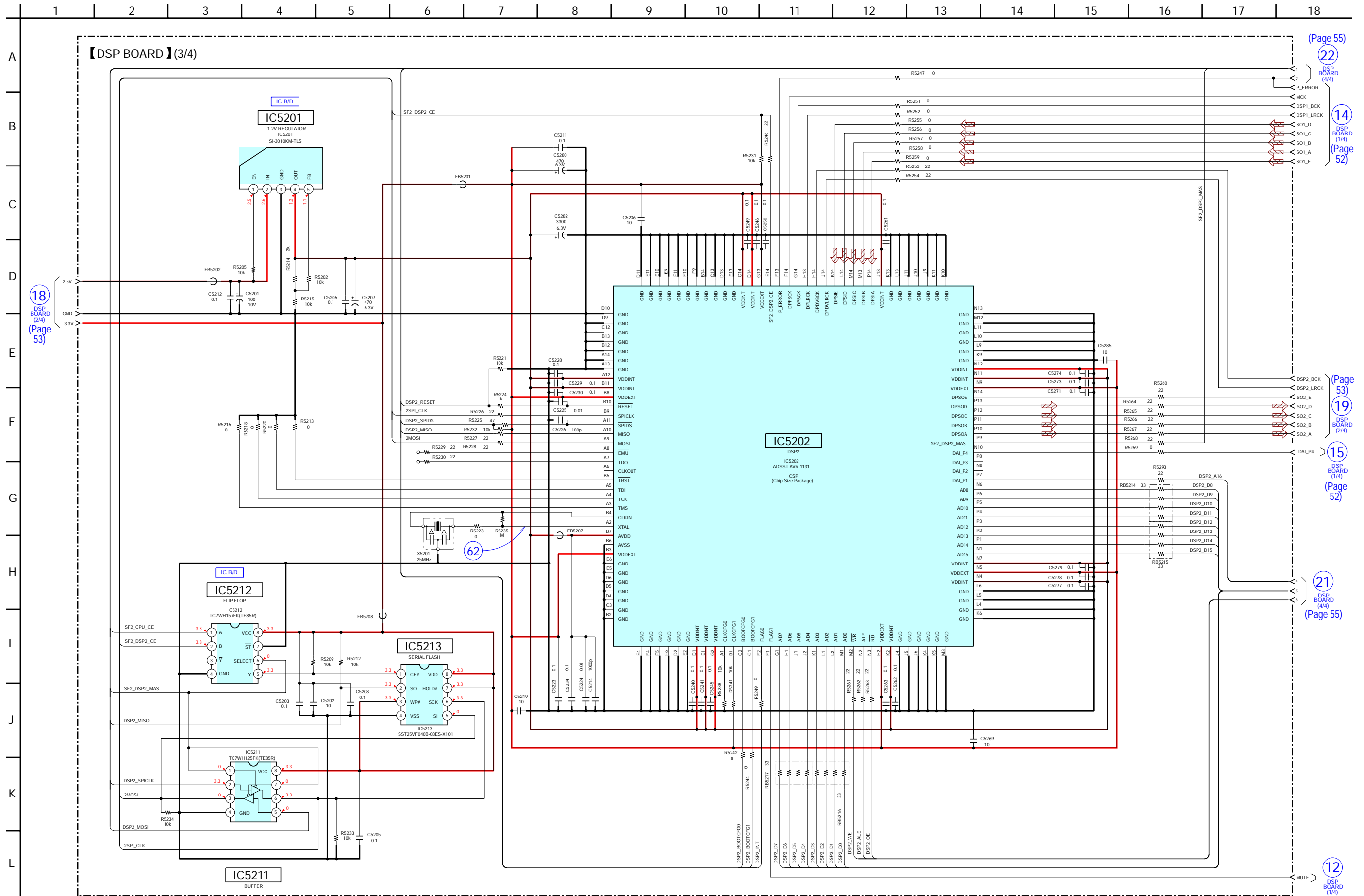


Note: IC5002 cannot exchange with single. When this part is damaged, exchange the entire mounted board.

6-26. SCHEMATIC DIAGRAM - DSP Board (2/4) - • See page 112 for IC Block Diagrams.

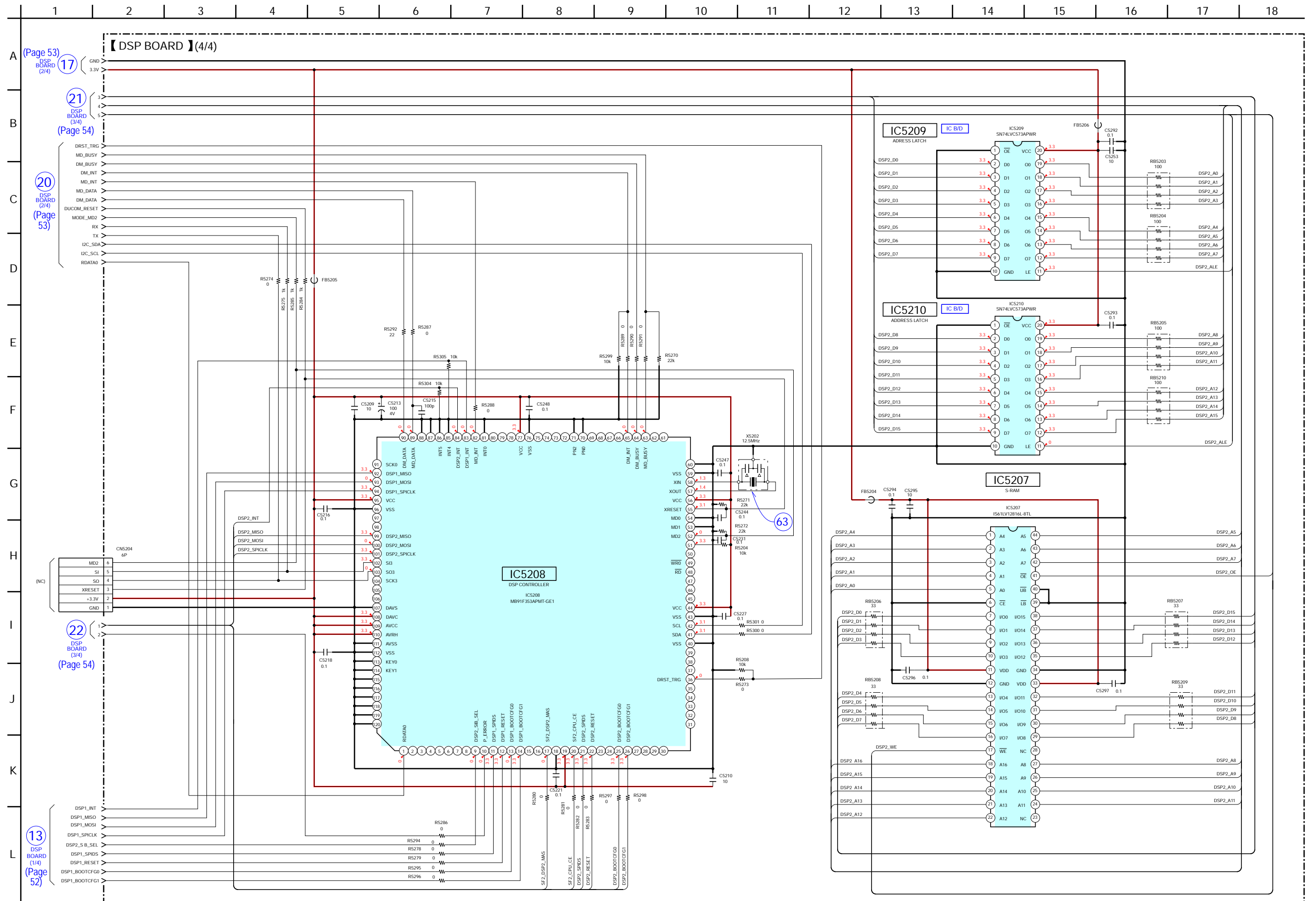



6-27. SCHEMATIC DIAGRAM - DSP Board (3/4) - • See page 107 for waveforms. • See page 112 for IC Block Diagrams. • See page 127 for IC Pin Function Description.



Note: IC5202 cannot exchange with single. When this part is damaged, exchange the entire mounted board.

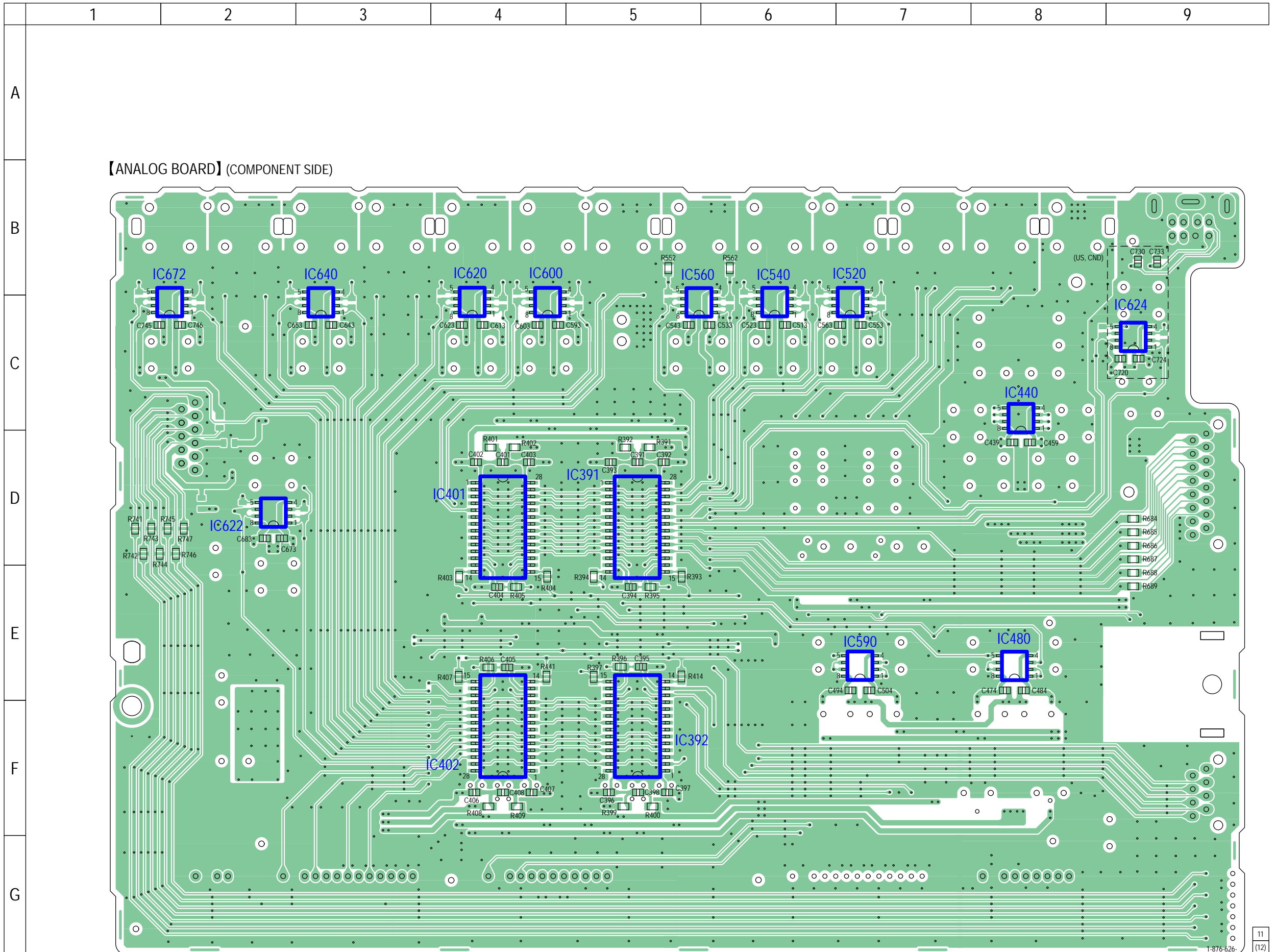
6-28. SCHEMATIC DIAGRAM - DSP Board (4/4) - See page 107 for waveforms. See page 112 for IC Block Diagrams. See page 127 for IC Pin Function Description.




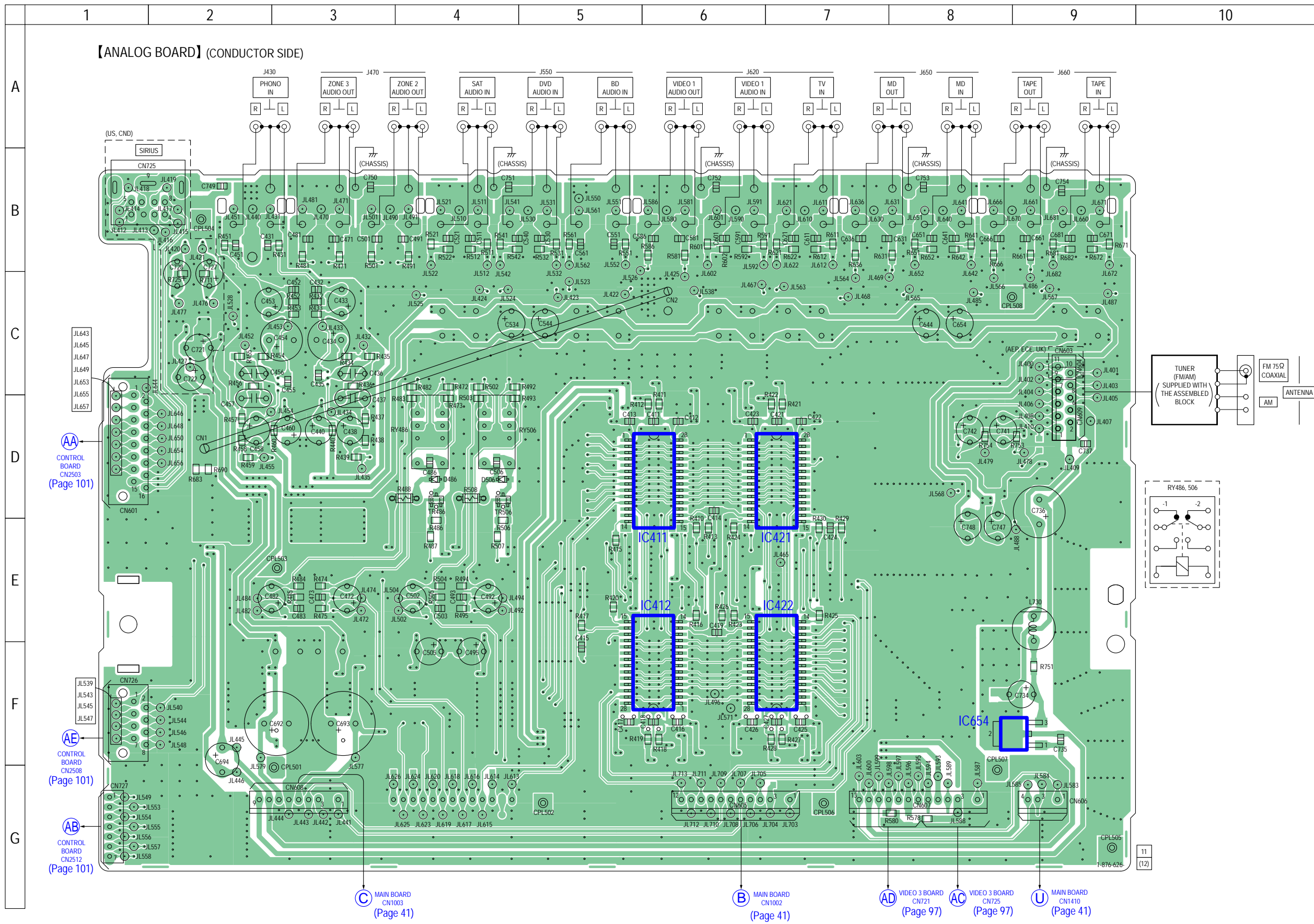
6-29. PRINTED WIRING BOARD - ANALOG Board (Component Side) - • See page 39 for Circuit Boards Location. •  : Uses unleaded solder.

• Semiconductor Location

Ref. No.	Location
IC391	D-5
IC392	F-5
IC401	D-4
IC402	F-4
IC440	C-8
IC480	E-8
IC520	C-7
IC540	C-6
IC560	C-5
IC590	E-7
IC600	C-4
IC620	C-4
IC622	D-2
IC624	C-9
IC640	C-3
IC672	C-2



6-30. PRINTED WIRING BOARD - ANALOG Board (Conductor Side) - • See page 39 for Circuit Boards Location. •  : Uses unleaded solder.



• Semiconductor Location

Ref. No.	Location
D486	D-4
D506	D-4
IC411	D-6
IC412	F-6
IC421	D-7
IC422	F-7
IC654	F-9
TR486	D-4
TR506	D-4

AA CONTROL BOARD CN2503 (Page 101)

AE CONTROL BOARD CN2508 (Page 101)

AB CONTROL BOARD CN2512 (Page 101)

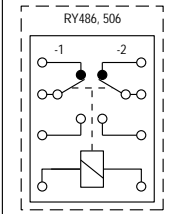
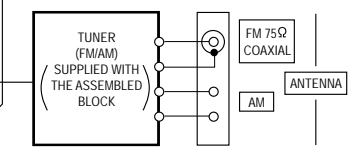
C MAIN BOARD CN1003 (Page 41)

B MAIN BOARD CN1002 (Page 41)

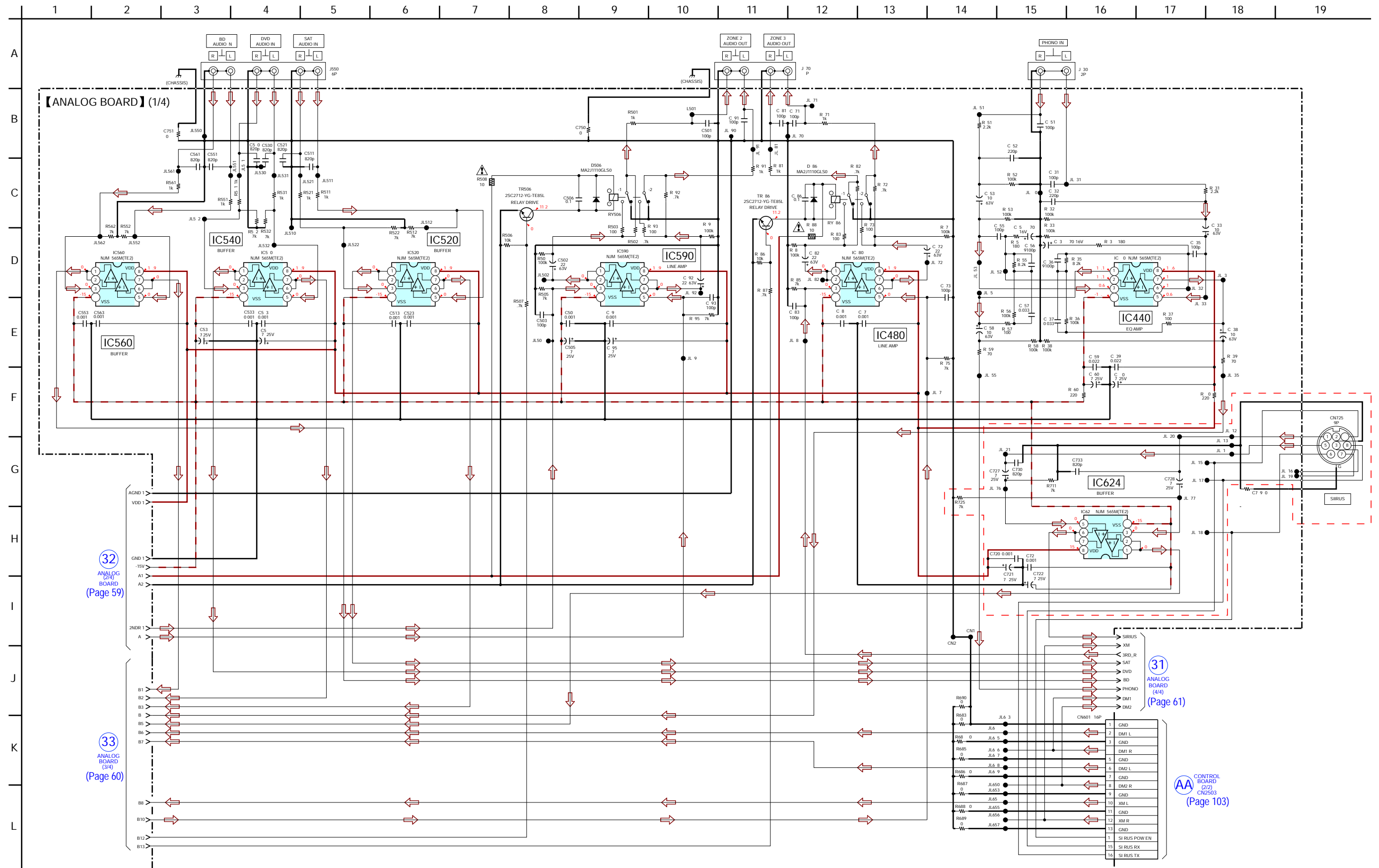
AD VIDEO 3 BOARD CN721 (Page 97)

AC VIDEO 3 BOARD CN725 (Page 97)

U MAIN BOARD CN1410 (Page 41)



6-31. SCHEMATIC DIAGRAM - ANALOG Board (1/4) -



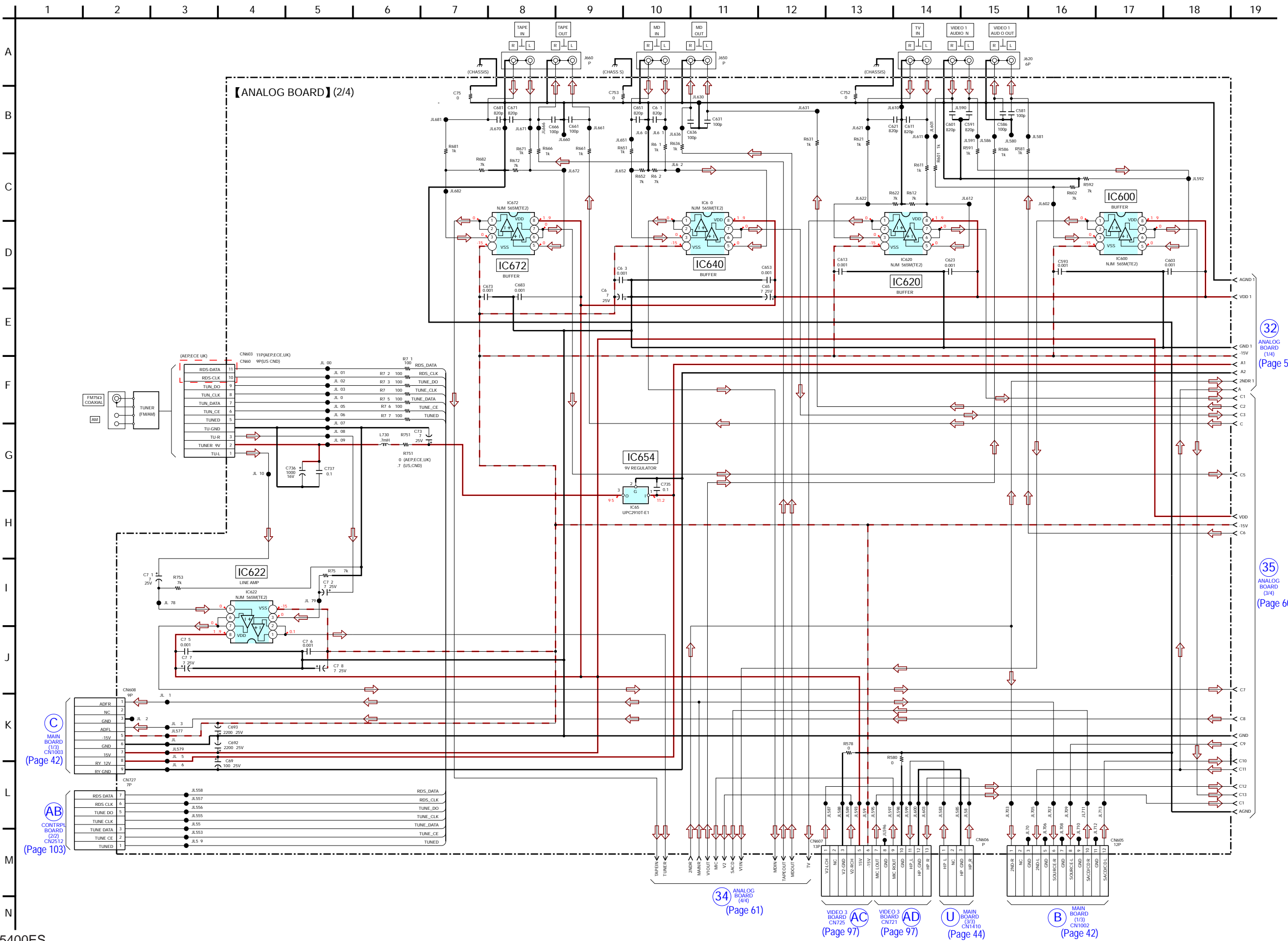
32 ANALOG BOARD (Page 59)

33 ANALOG BOARD (3/4) (Page 60)

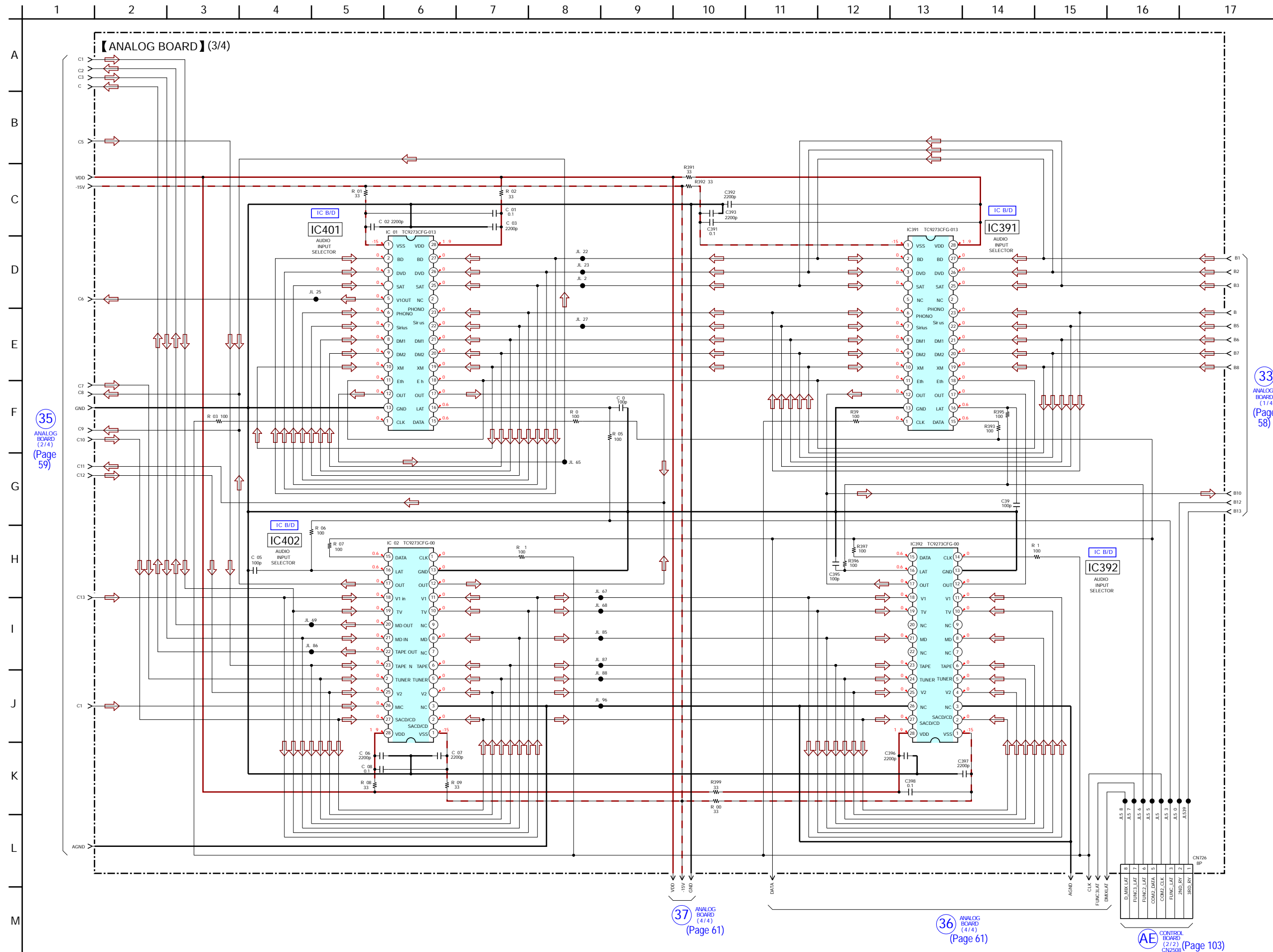
31 ANALOG BOARD (4/4) (Page 61)

AA CONTROL BOARD (2/2) CN2503 (Page 103)

6-32. SCHEMATIC DIAGRAM - ANALOG Board (2/4) -



6-33. SCHEMATIC DIAGRAM - ANALOG Board (3/4) - See page 112 for IC Block Diagrams.



35 ANALOG BOARD (2/4) (Page 59)

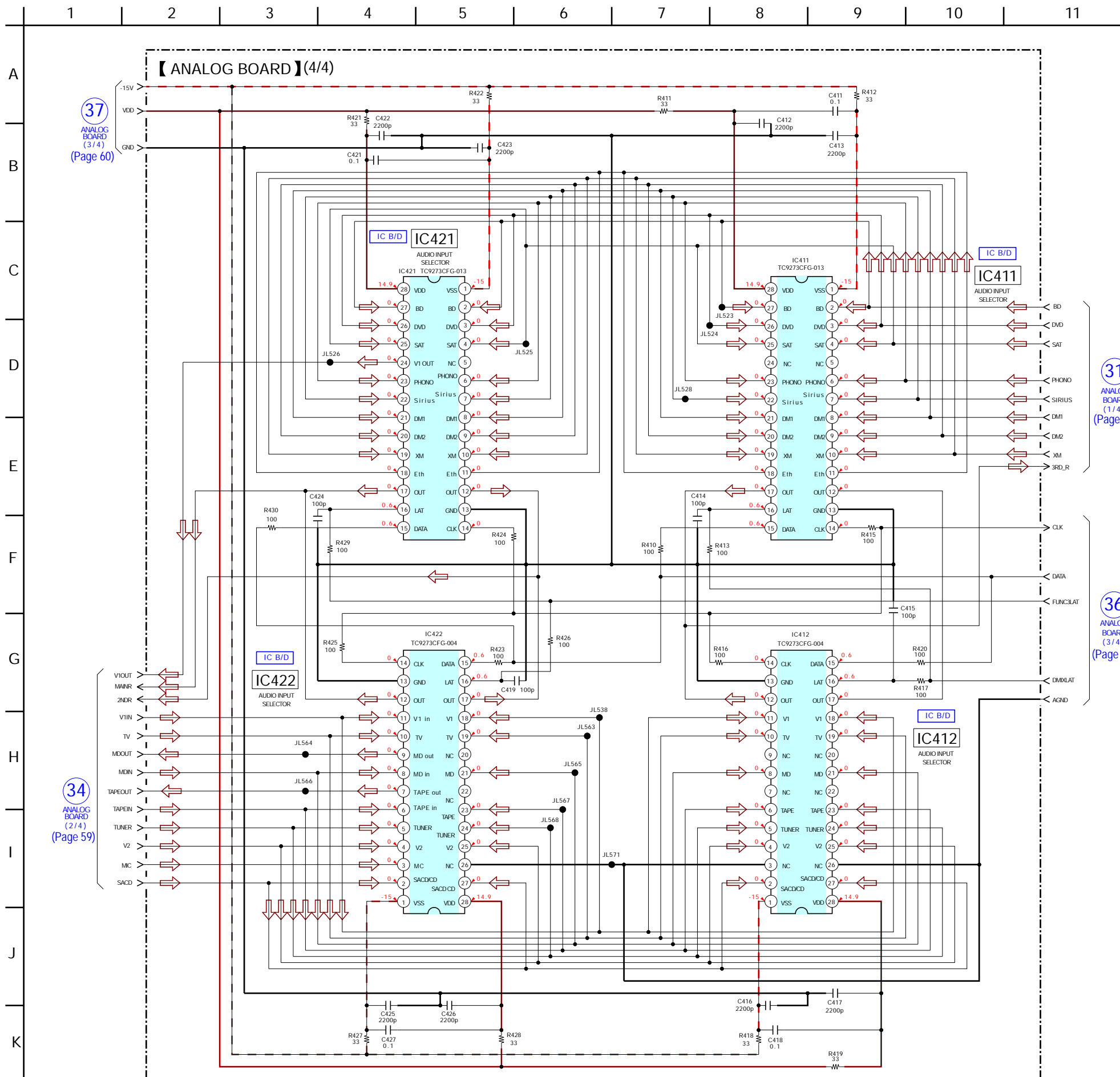
33 ANALOG BOARD (1/4) (Page 58)

37 ANALOG BOARD (4/4) (Page 61)

36 ANALOG BOARD (4/4) (Page 61)

AE CONTROL BOARD (2/2) CN2508 (Page 103)

6-34. SCHEMATIC DIAGRAM - ANALOG Board (4/4) - • See page 112 for IC Block Diagrams.



37
ANALOG BOARD (3/4)
(Page 60)

31
ANALOG BOARD (1/4)
(Page 58)

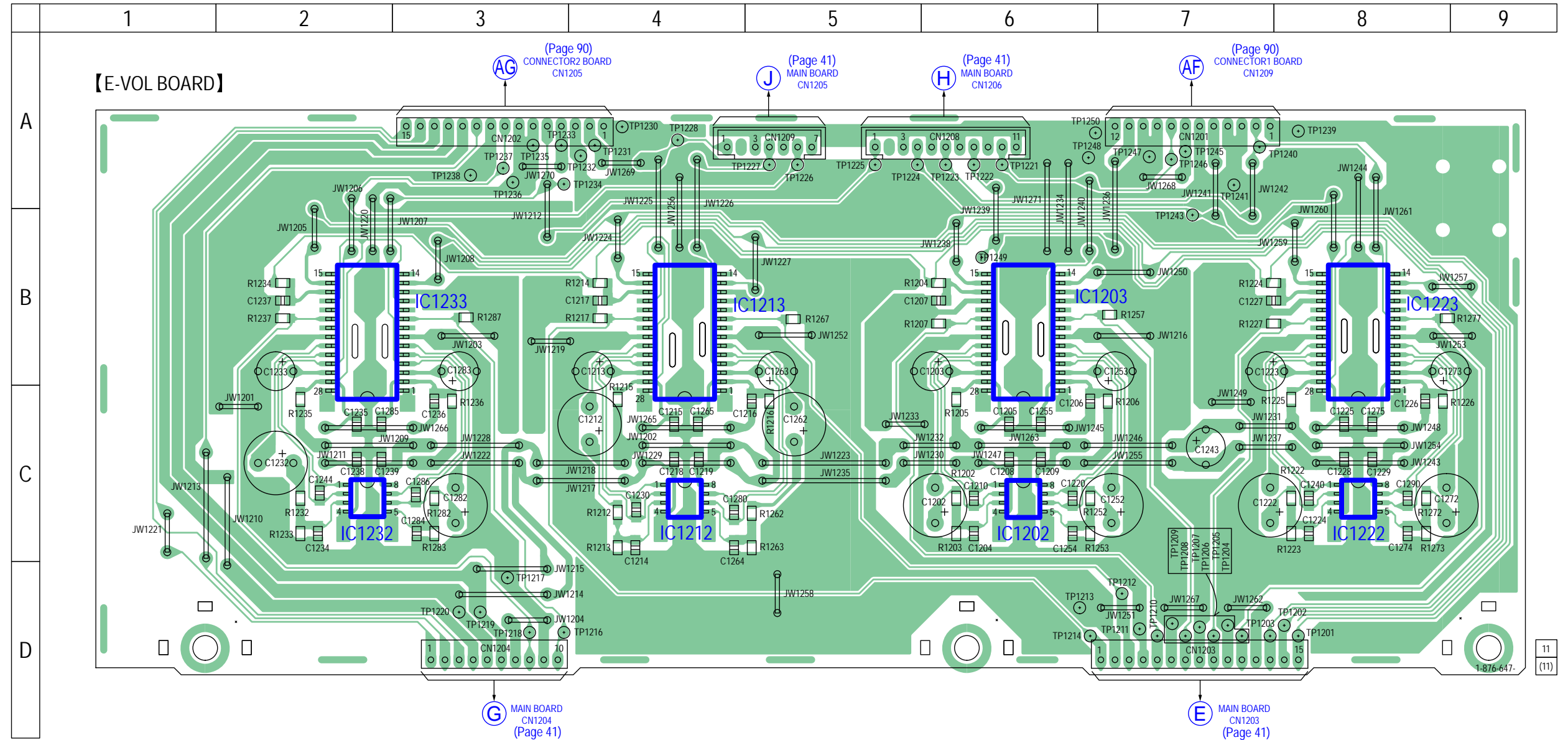
36
ANALOG BOARD (3/4)
(Page 60)

34
ANALOG BOARD (2/4)
(Page 59)

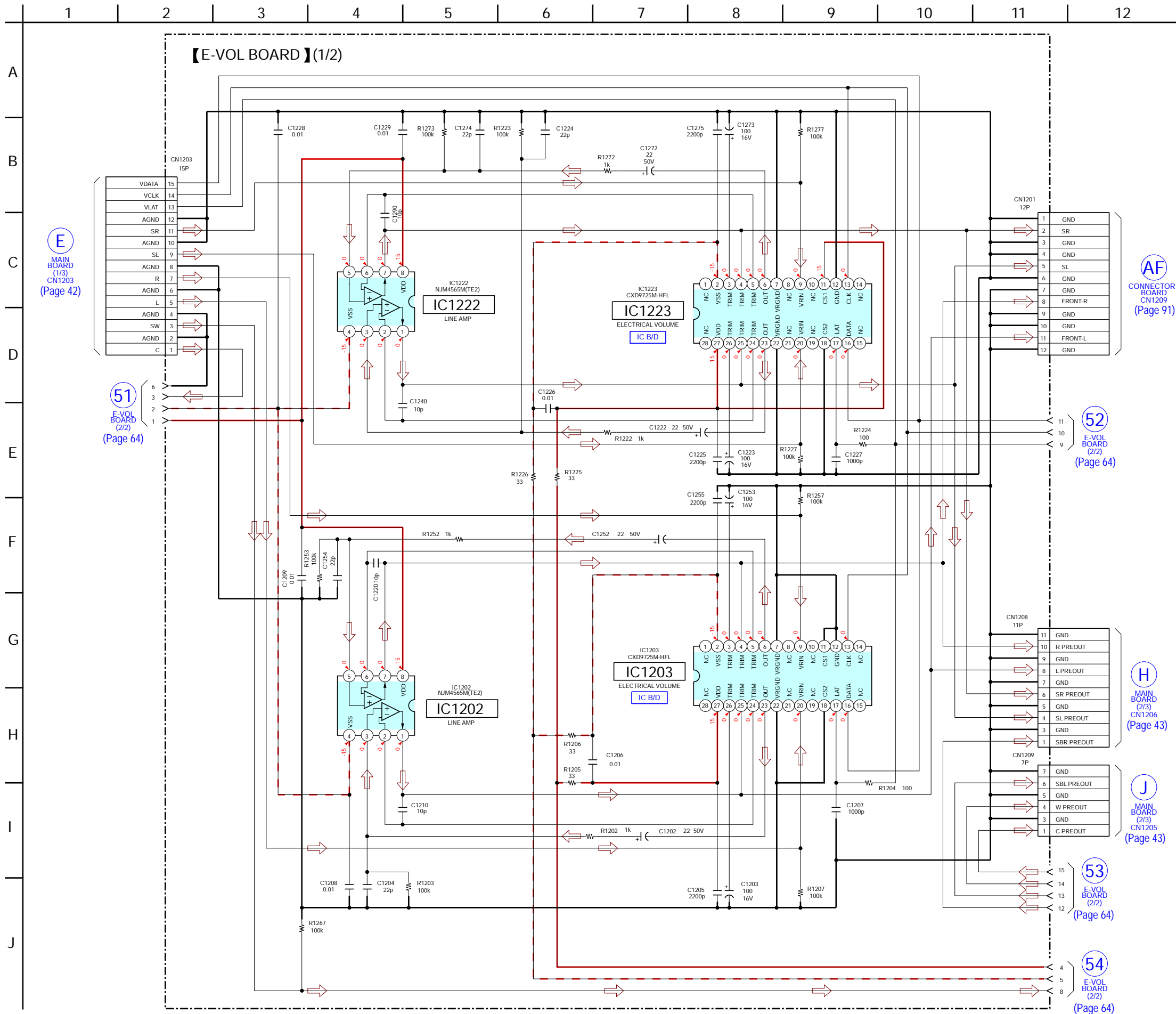
6-35. PRINTED WIRING BOARD - E-VOL Board - • See page 39 for Circuit Boards Location. •  : Uses unleaded solder.

• Semiconductor Location

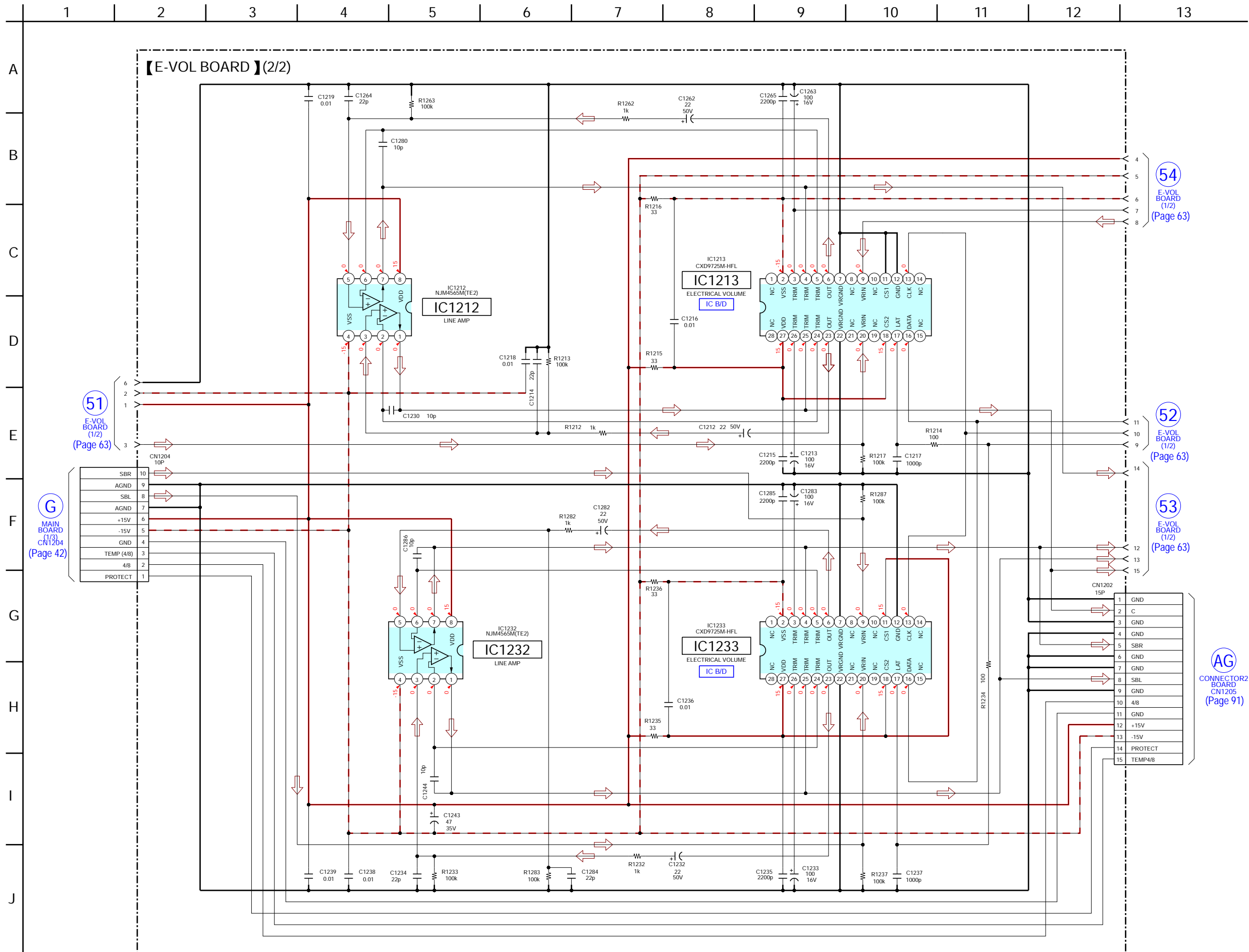
Ref. No.	Location
IC1202	C-6
IC1203	B-6
IC1212	C-4
IC1213	B-4
IC1222	C-8
IC1223	B-8
IC1232	C-2
IC1233	B-2



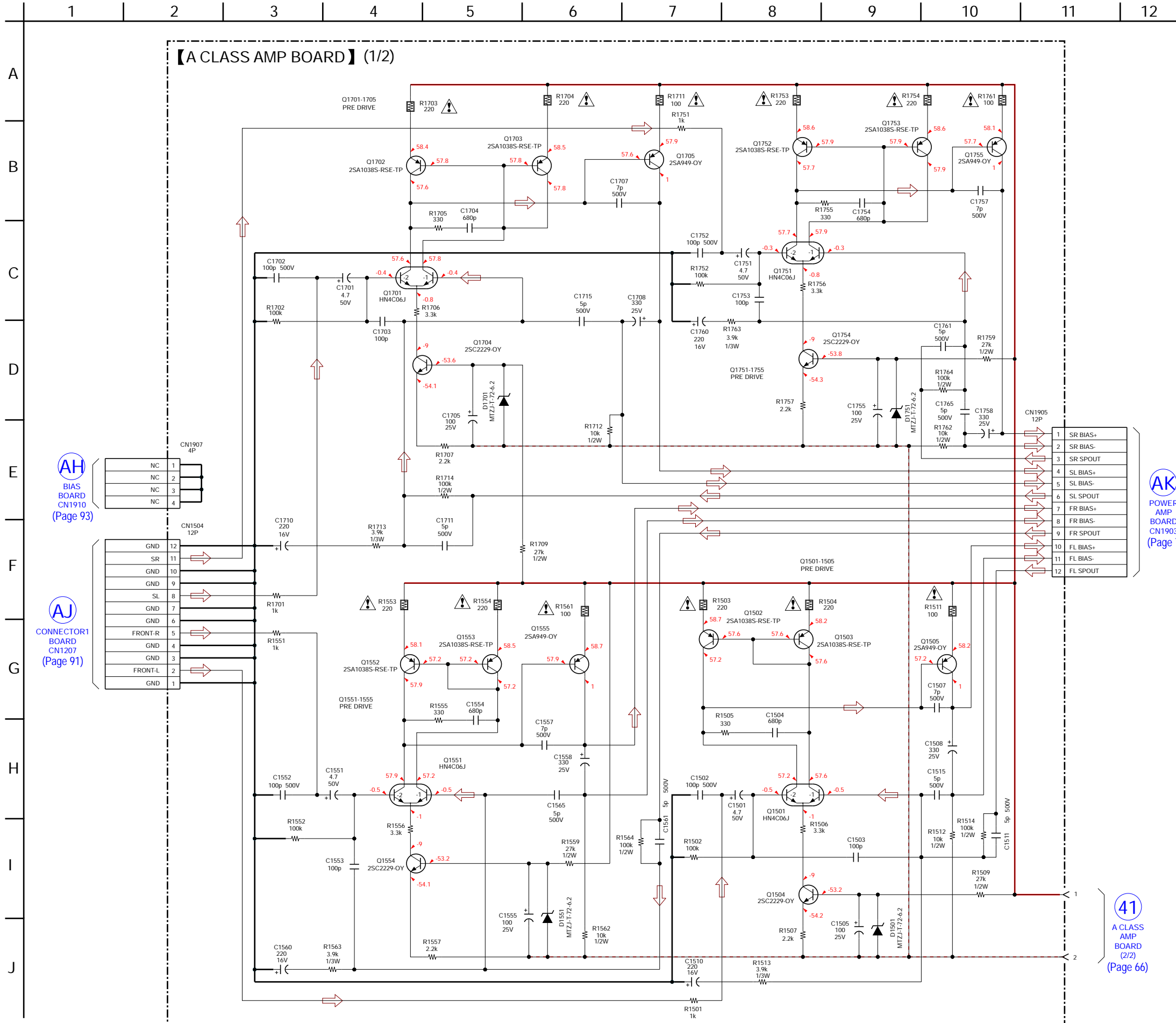
6-36. SCHEMATIC DIAGRAM - E-VOL Board (1/2) - See page 112 for IC Block Diagrams.



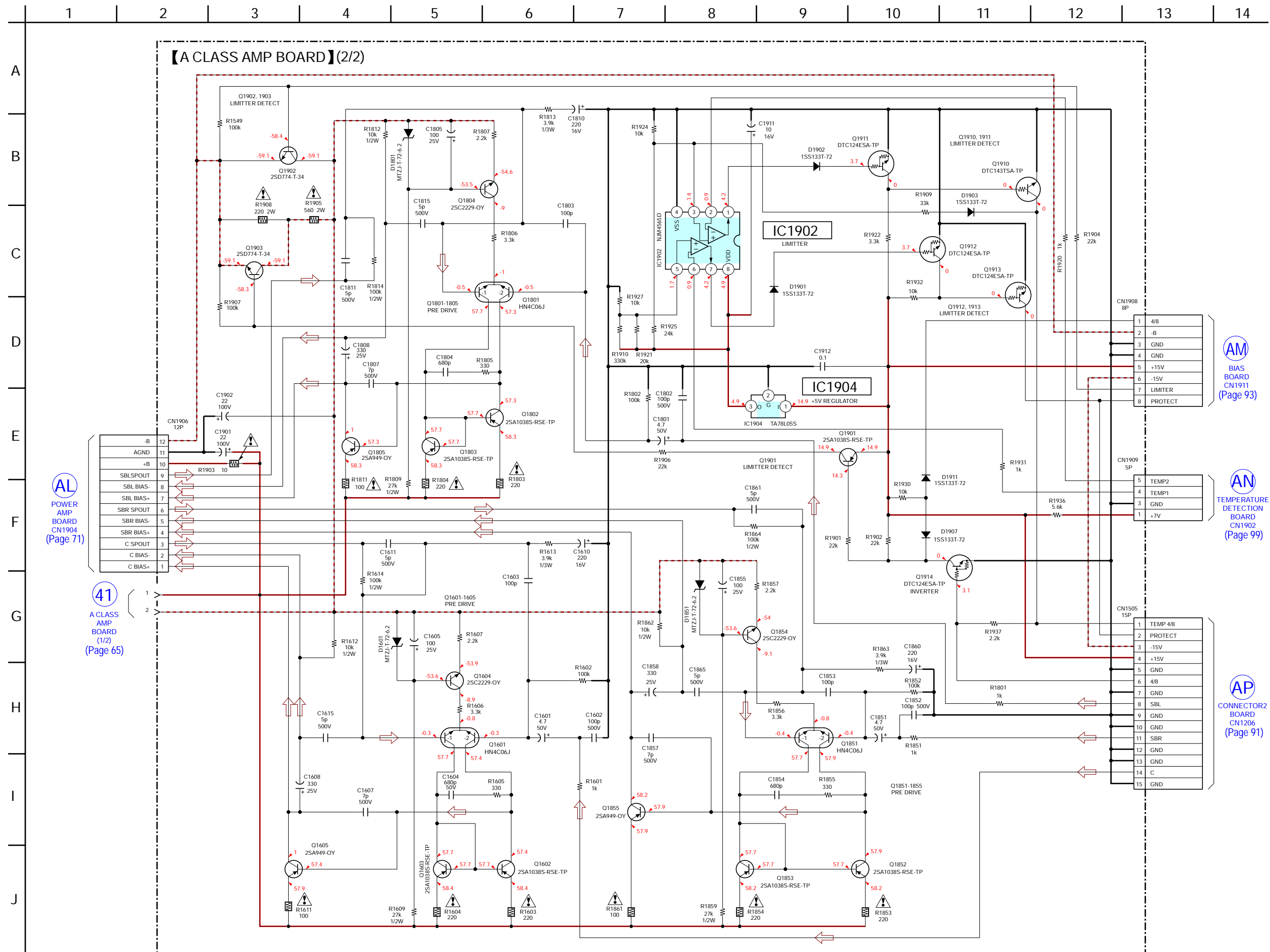
6-37. SCHEMATIC DIAGRAM - E-VOL Board (2/2) - • See page 112 for IC Block Diagrams.



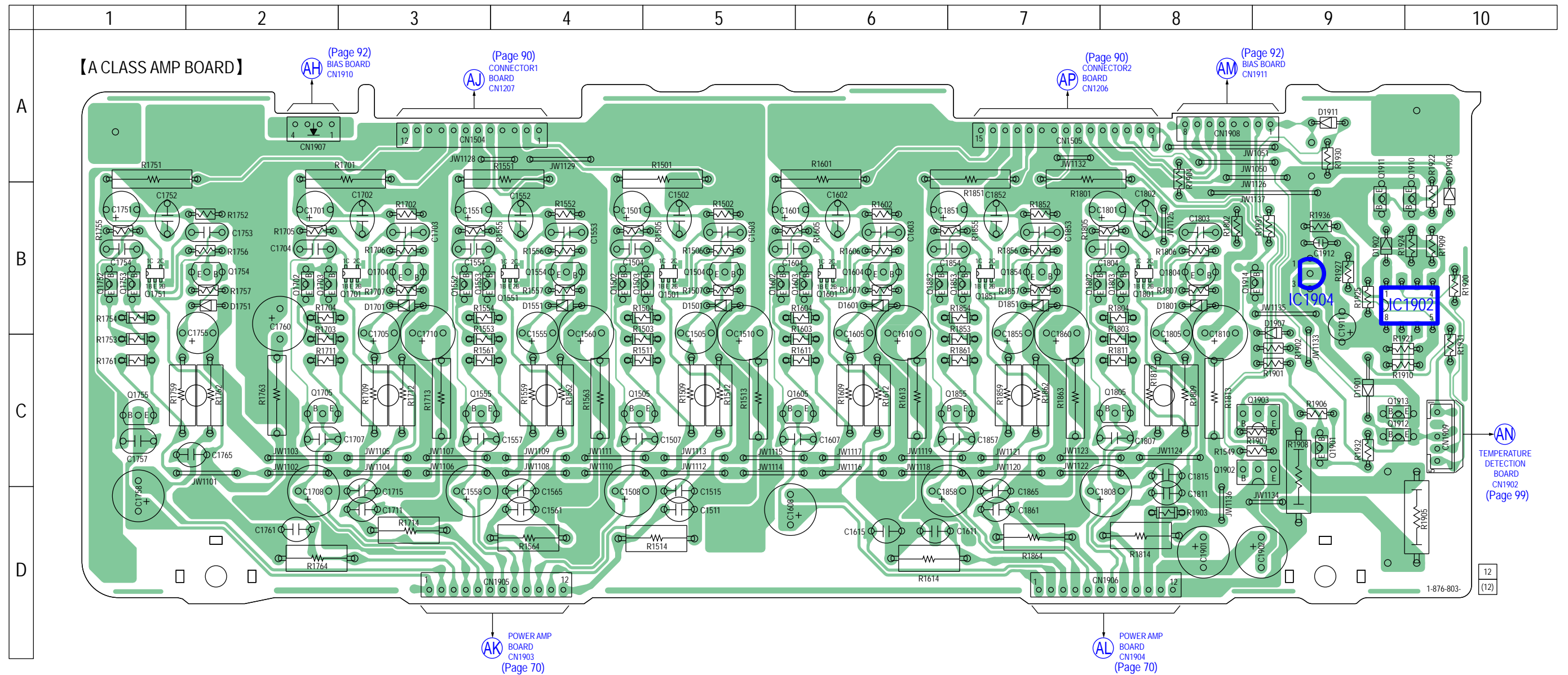
6-38. SCHEMATIC DIAGRAM - A CLASS AMP Board (1/2) -



6-39. SCHEMATIC DIAGRAM - A CLASS AMP Board (2/2) -



6-40. PRINTED WIRING BOARD - A CLASS AMP Board - • See page 39 for Circuit Boards Location. • **LF** : Uses unleaded solder.



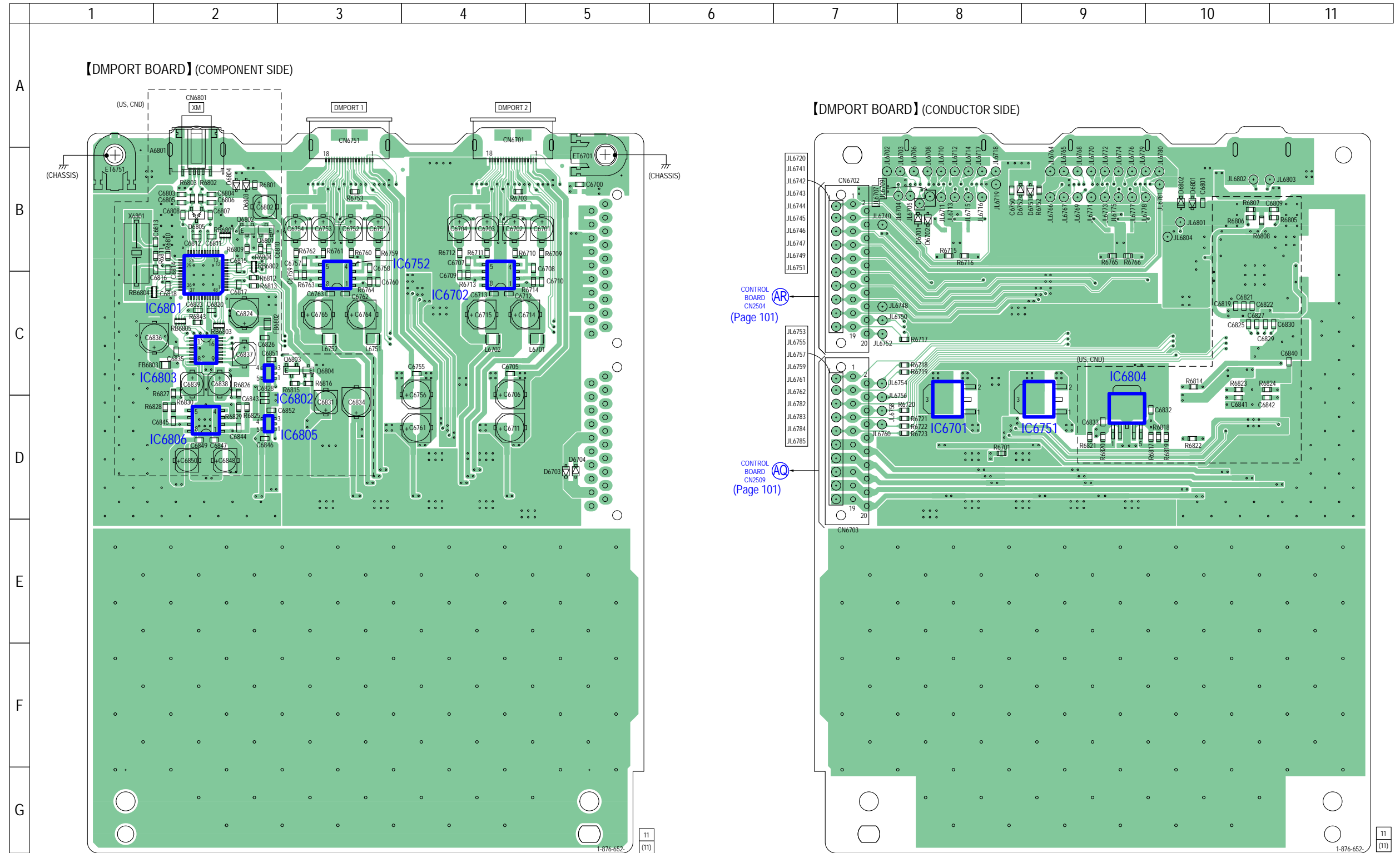
• Semiconductor Location

Ref. No.	Location	Ref. No.	Location	Ref. No.	Location	Ref. No.	Location	Ref. No.	Location
D1501	B-5	Q1554	B-4	Q1751	B-1	Q1853	B-7		
D1551	B-4	Q1555	C-3	Q1752	B-1	Q1854	B-7		
D1601	B-6	Q1601	B-6	Q1753	B-1	Q1855	C-7		
D1701	B-3	Q1602	B-5	Q1754	B-2	Q1901	C-9		
D1751	B-2	Q1603	B-6	Q1755	C-1	Q1902	C-9		
D1801	B-8	Q1604	B-6	Q1801	B-8	Q1903	C-9		
D1851	B-7	Q1605	C-6	Q1802	B-7	Q1910	B-10		
D1901	C-9	Q1701	B-3	Q1803	B-8	Q1911	B-9		
D1902	B-9	Q1702	B-2	Q1804	B-8	Q1912	C-9		
D1903	B-10	Q1703	B-2	Q1805	C-8	Q1913	C-9		
D1907	B-9	Q1704	B-3	Q1851	B-7	Q1914	B-9		
D1911	A-9	Q1705	C-2	Q1852	B-6				

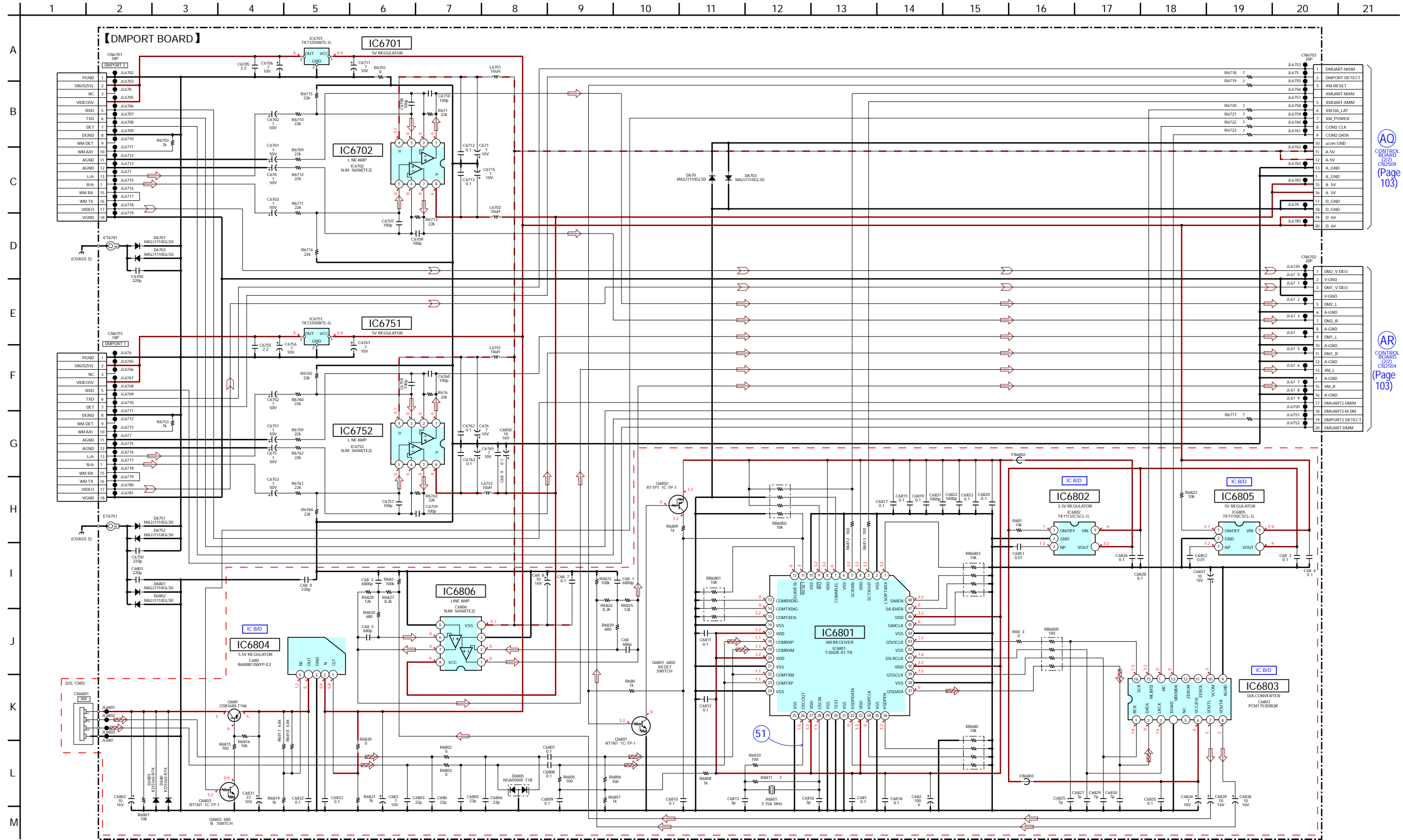
6-41. PRINTED WIRING BOARD - DMPORT Board - • See page 39 for Circuit Boards Location. •  : Uses unleaded solder.

• Semiconductor Location

Ref. No.	Location
D6701	B-8
D6702	B-8
D6703	D-5
D6704	D-5
D6751	B-9
D6752	B-8
D6801	B-10
D6802	B-10
D6803	B-2
D6804	B-2
D6805	B-2
IC6701	D-8
IC6702	C-4
IC6751	D-9
IC6752	C-3
IC6801	C-2
IC6802	C-2
IC6803	C-2
IC6804	D-9
IC6805	D-2
IC6806	D-2
Q6801	B-2
Q6802	B-2
Q6803	C-3
Q6804	C-3



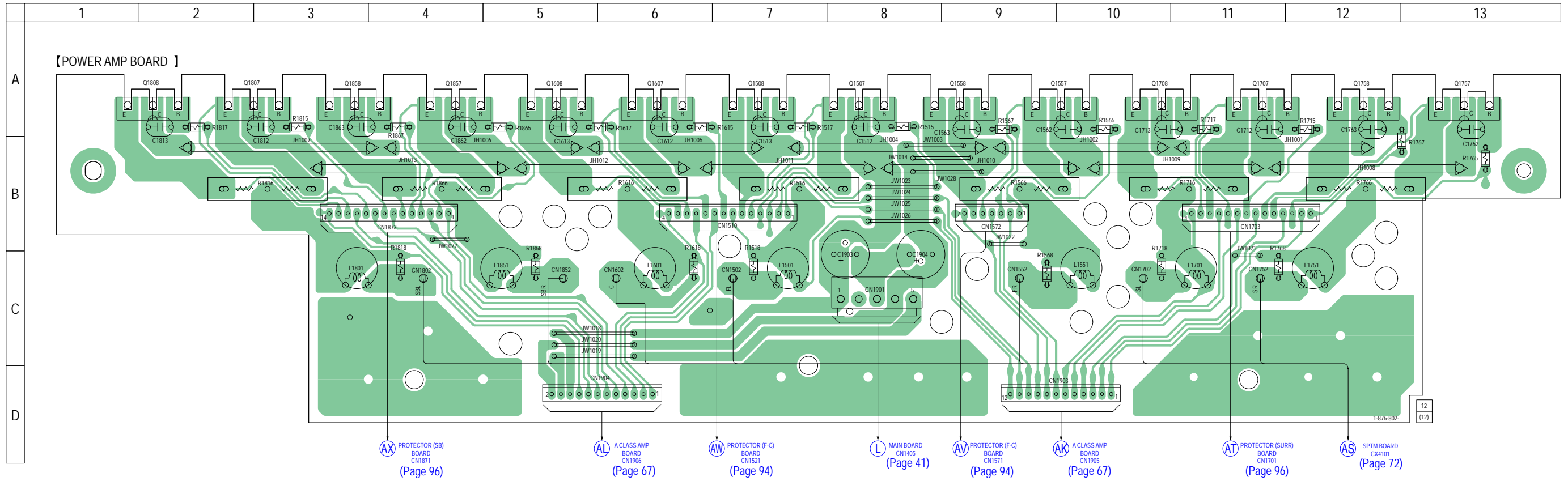
6-42. SCHEMATIC DIAGRAM - DMPort Board - • See page 107 for waveforms. • See page 112 for IC Block Diagrams. • See page 127 for IC Pin Function Description.



AO
CONTROL BOARD
CZ2
CZ2509
(Page 103)

AR
CONTROL BOARD
CZ2
CZ2504
(Page 103)

6-43. PRINTED WIRING BOARD - POWER AMP Board - • See page 39 for Circuit Boards Location. •  : Uses unleaded solder.

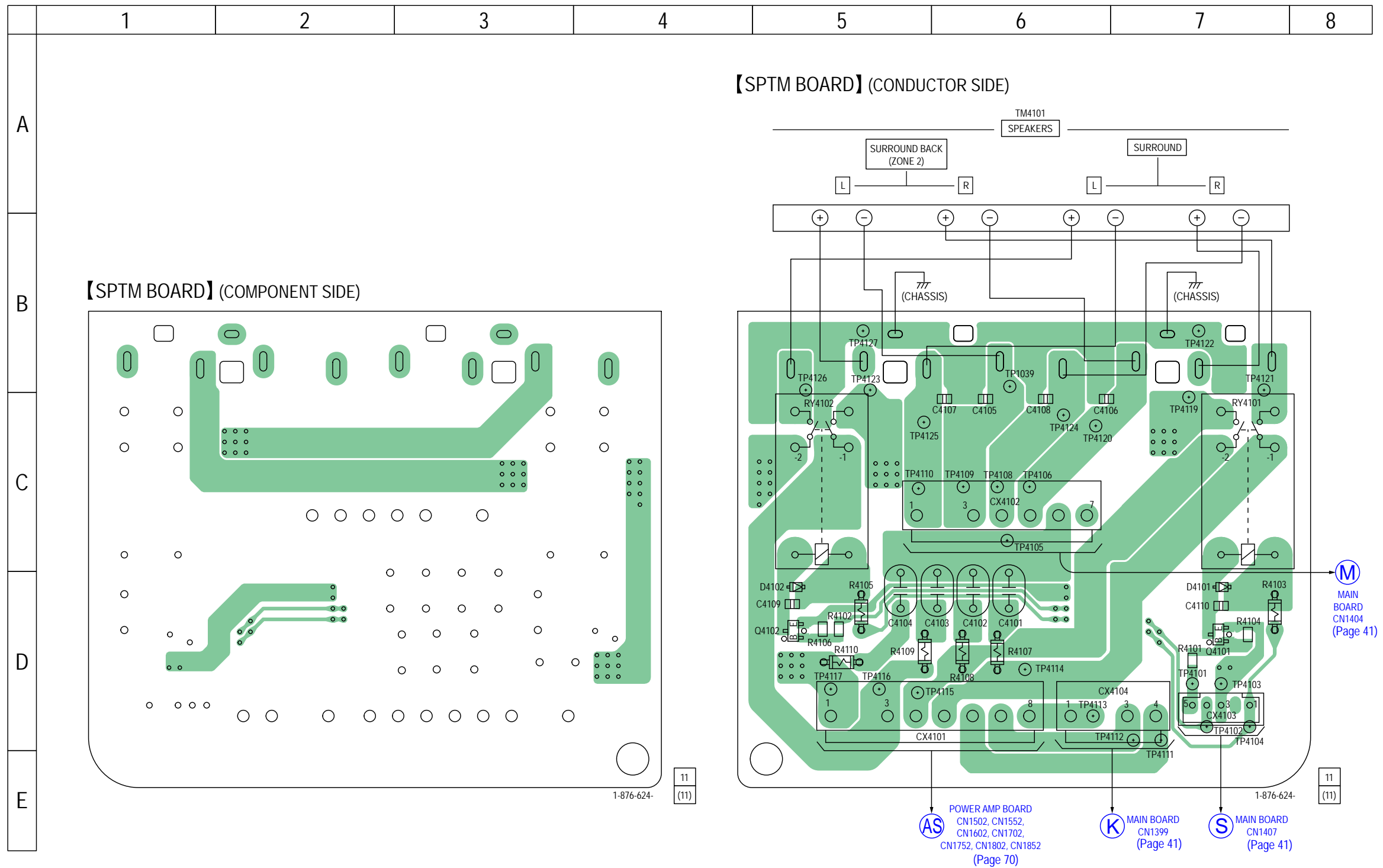


-  PROTECTOR (SB) BOARD CN1871 (Page 96)
-  A CLASS AMP BOARD CN1906 (Page 67)
-  PROTECTOR (F-C) BOARD CN1521 (Page 94)
-  MAIN BOARD CN1405 (Page 41)
-  PROTECTOR (F-C) BOARD CN1571 (Page 94)
-  A CLASS AMP BOARD CN1905 (Page 67)
-  PROTECTOR (SRR) BOARD CN1701 (Page 96)
-  SPTM BOARD CX4101 (Page 72)

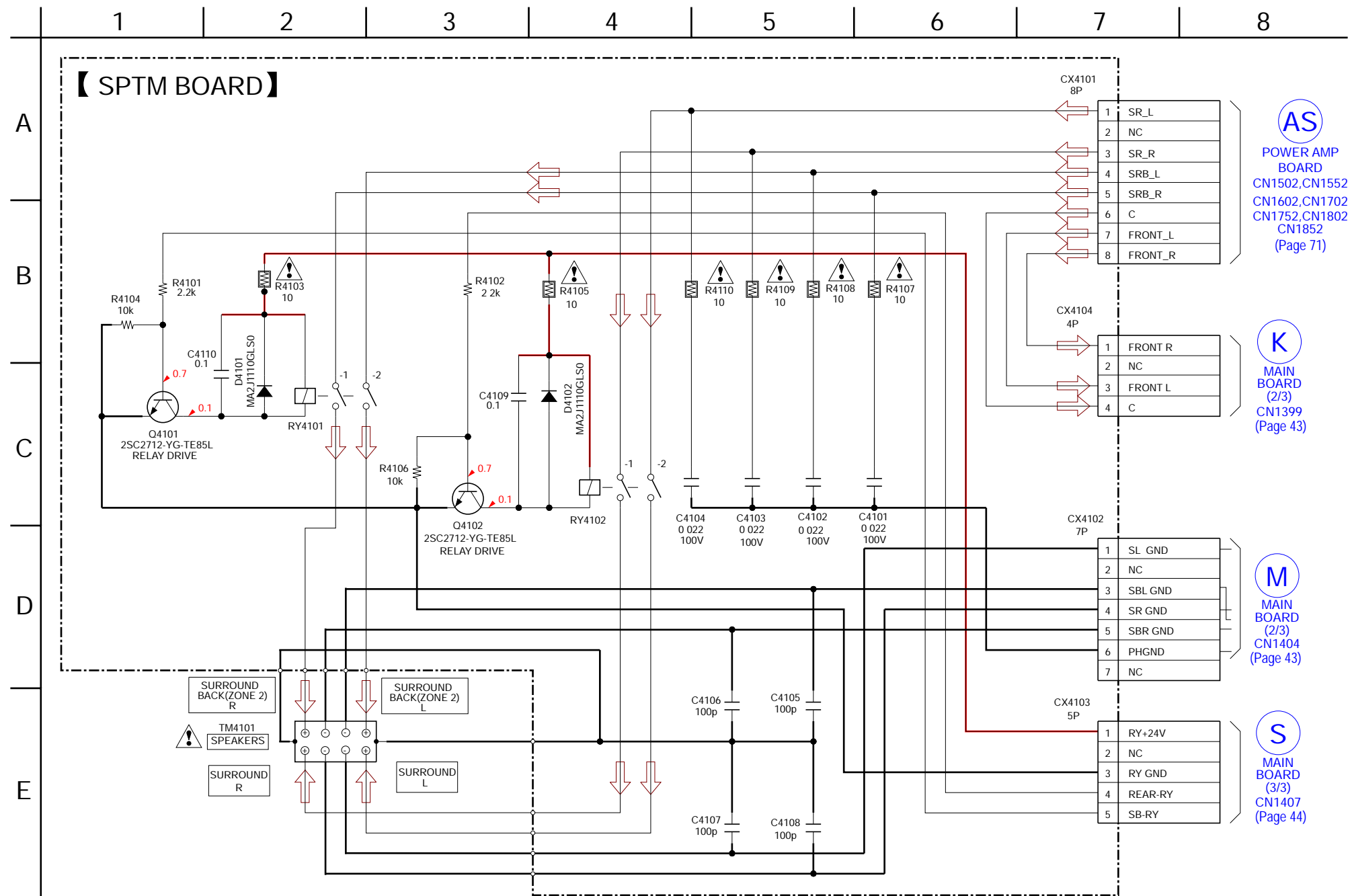
• Semiconductor Location

Ref. No.	Location
Q1507	A-8
Q1508	A-7
Q1557	A-10
Q1558	A-9
Q1607	A-6
Q1608	A-5
Q1707	A-11
Q1708	A-10
Q1757	A-13
Q1758	A-12
Q1807	A-2
Q1808	A-2
Q1857	A-4
Q1858	A-3

6-45. PRINTED WIRING BOARD - SPTM Board - • See page 39 for Circuit Boards Location. •  : Uses unleaded solder.



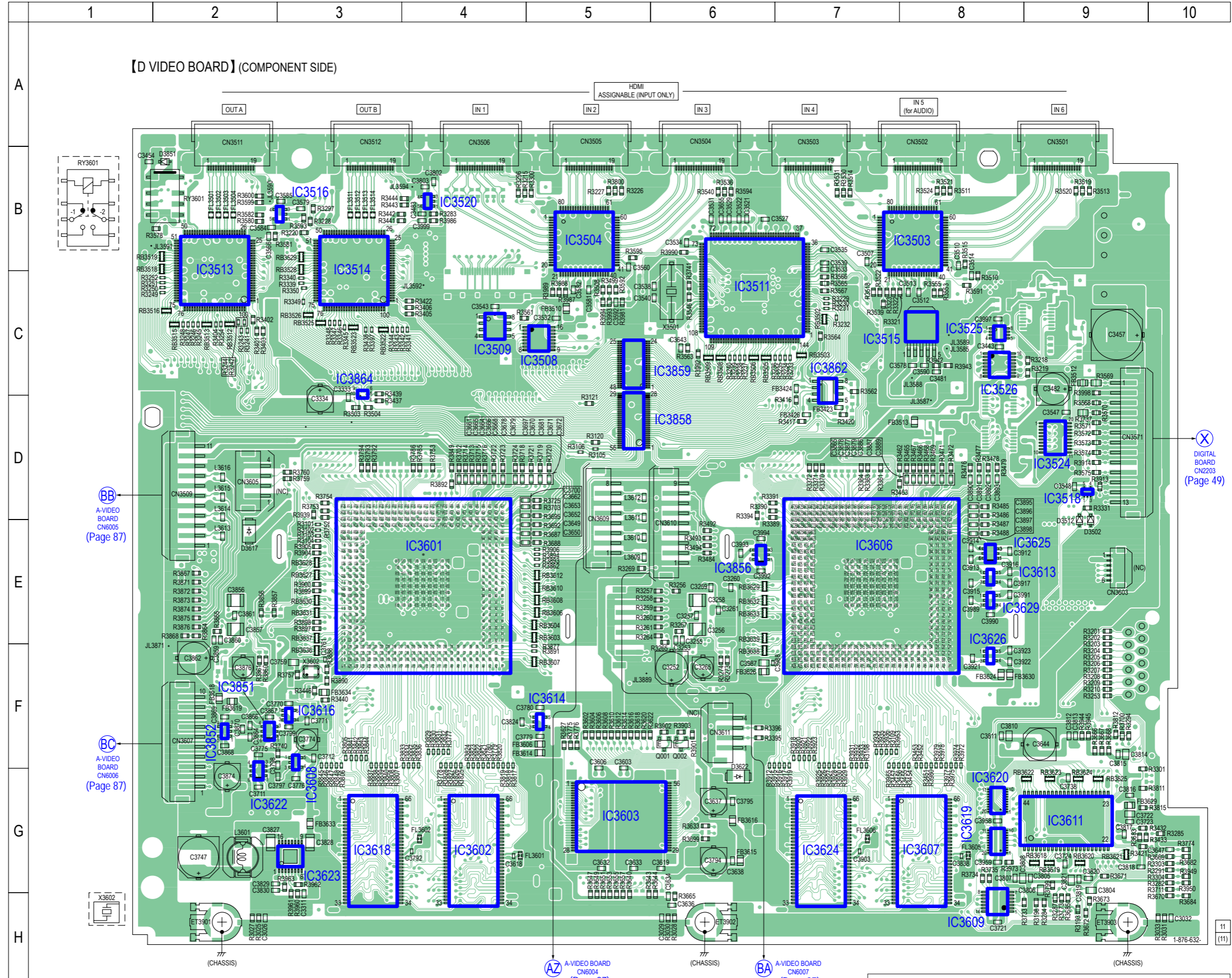
6-46. SCHEMATIC DIAGRAM - SPTM Board -



6-47. PRINTED WIRING BOARD - D VIDEO Board (Component Side) - • See page 39 for Circuit Boards Location. • **LF** : Uses unleaded solder.

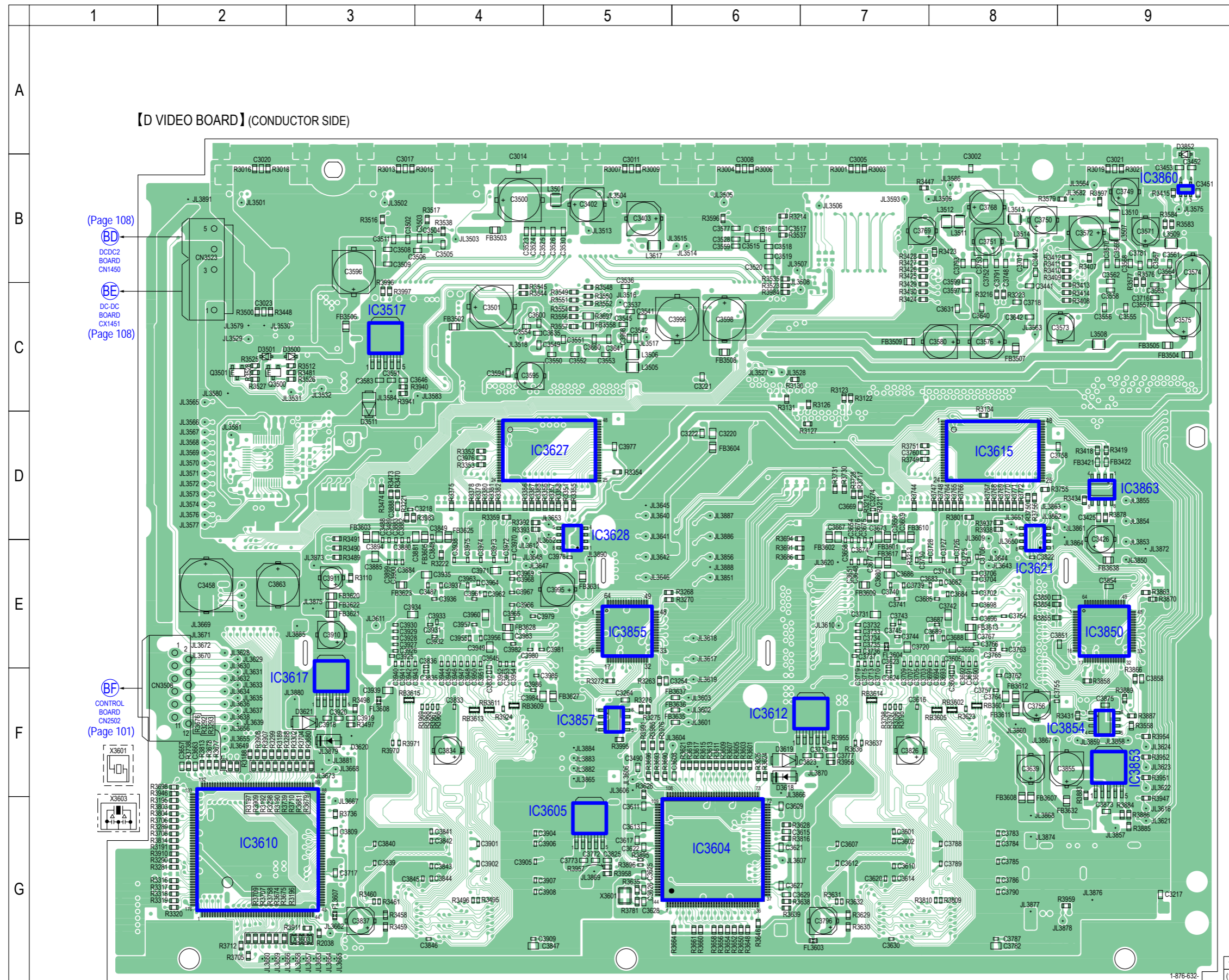
• Semiconductor Location

Ref. No.	Location
D3502	E-9
D3512	E-9
D3617	E-2
D3622	G-6
D3851	B-2
IC3503	B-8
IC3504	B-5
IC3508	C-5
IC3509	C-4
IC3511	C-6
IC3513	C-2
IC3514	C-3
IC3515	C-8
IC3516	B-3
IC3518	D-9
IC3520	B-4
IC3524	D-9
IC3525	C-8
IC3526	C-8
IC3601	E-4
IC3602	G-4
IC3603	G-5
IC3606	E-7
IC3607	G-8
IC3608	F-3
IC3609	H-8
IC3611	G-9
IC3613	E-8
IC3614	F-5
IC3616	F-3
IC3618	G-3
IC3619	G-8
IC3620	G-8
IC3622	G-2
IC3623	G-3
IC3624	G-7
IC3625	E-8
IC3626	F-8
IC3629	E-8
IC3851	F-2
IC3852	F-2
IC3856	E-6
IC3858	D-5
IC3859	C-5
IC3862	C-7
IC3864	C-3
Q001	F-6
Q002	F-6



Note: IC3511, IC3513 and IC3514 cannot exchange with single. When these parts are damaged, exchange the entire mounted board.

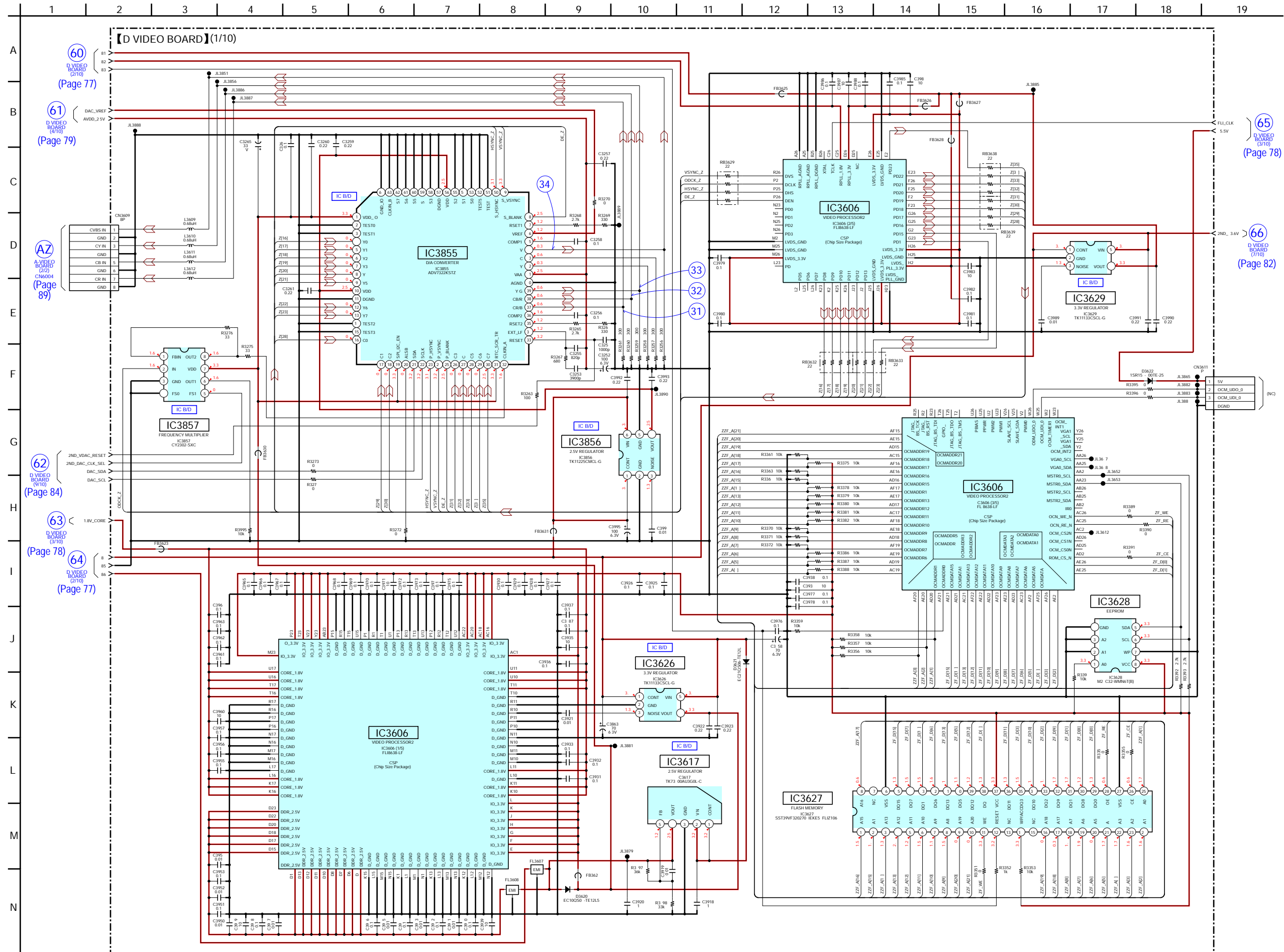
6-48. PRINTED WIRING BOARD - D VIDEO Board (Conductor Side) - • See page 39 for Circuit Boards Location. • : Uses unleaded solder.



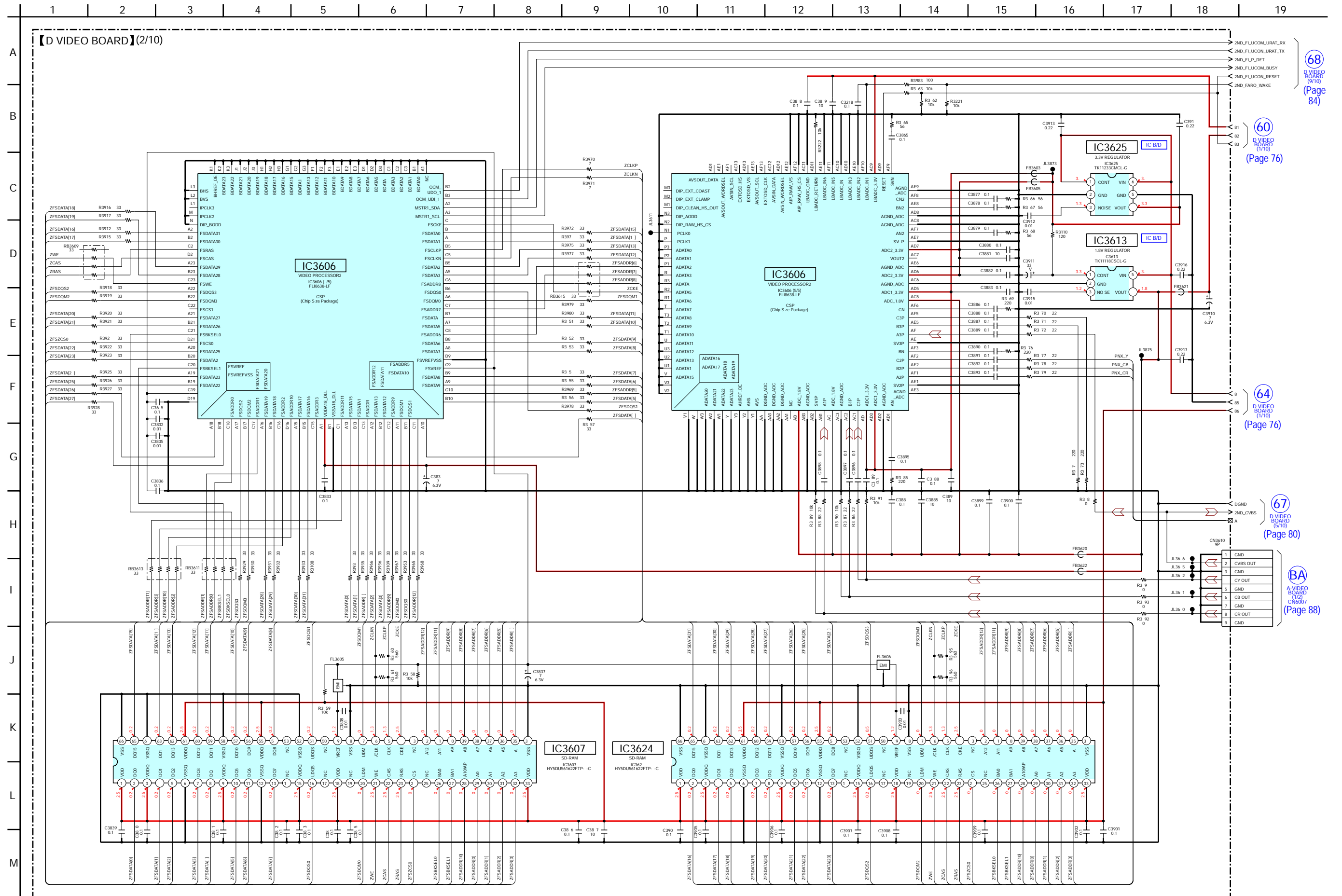
• Semiconductor Location

Ref. No.	Location
D3500	C-3
D3501	C-2
D3511	C-3
D3618	F-6
D3619	F-6
D3620	F-3
D3621	F-3
D3852	A-9
IC3517	C-3
IC3604	G-6
IC3605	G-5
IC3610	G-2
IC3612	F-7
IC3615	D-8
IC3617	F-3
IC3621	D-8
IC3627	D-5
IC3628	D-5
IC3850	E-9
IC3853	F-9
IC3854	F-9
IC3855	E-5
IC3860	B-9
IC3863	D-9
Q3500	C-2
Q3501	C-2

6-49. SCHEMATIC DIAGRAM - D VIDEO Board (1/10) - See page 107 for waveforms. See page 112 for IC Block Diagrams. See page 127 for IC Pin Function Description.



6-50. SCHEMATIC DIAGRAM - D VIDEO Board (2/10) - See page 112 for IC Block Diagrams. See page 127 for IC Pin Function Description.



68 D VIDEO BOARD (9/10) (Page 84)

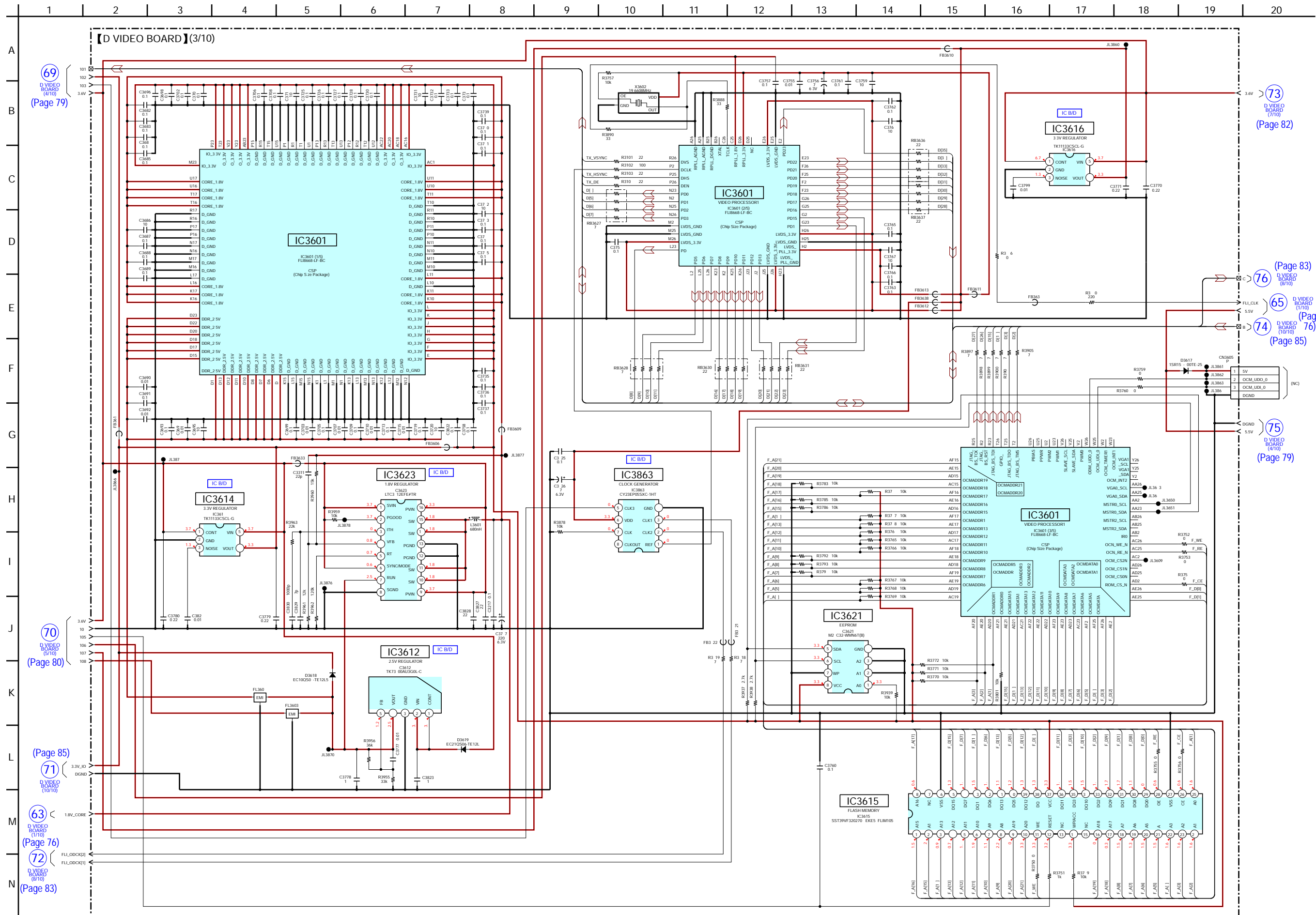
60 D VIDEO BOARD (7/10) (Page 76)

64 D VIDEO BOARD (7/10) (Page 76)

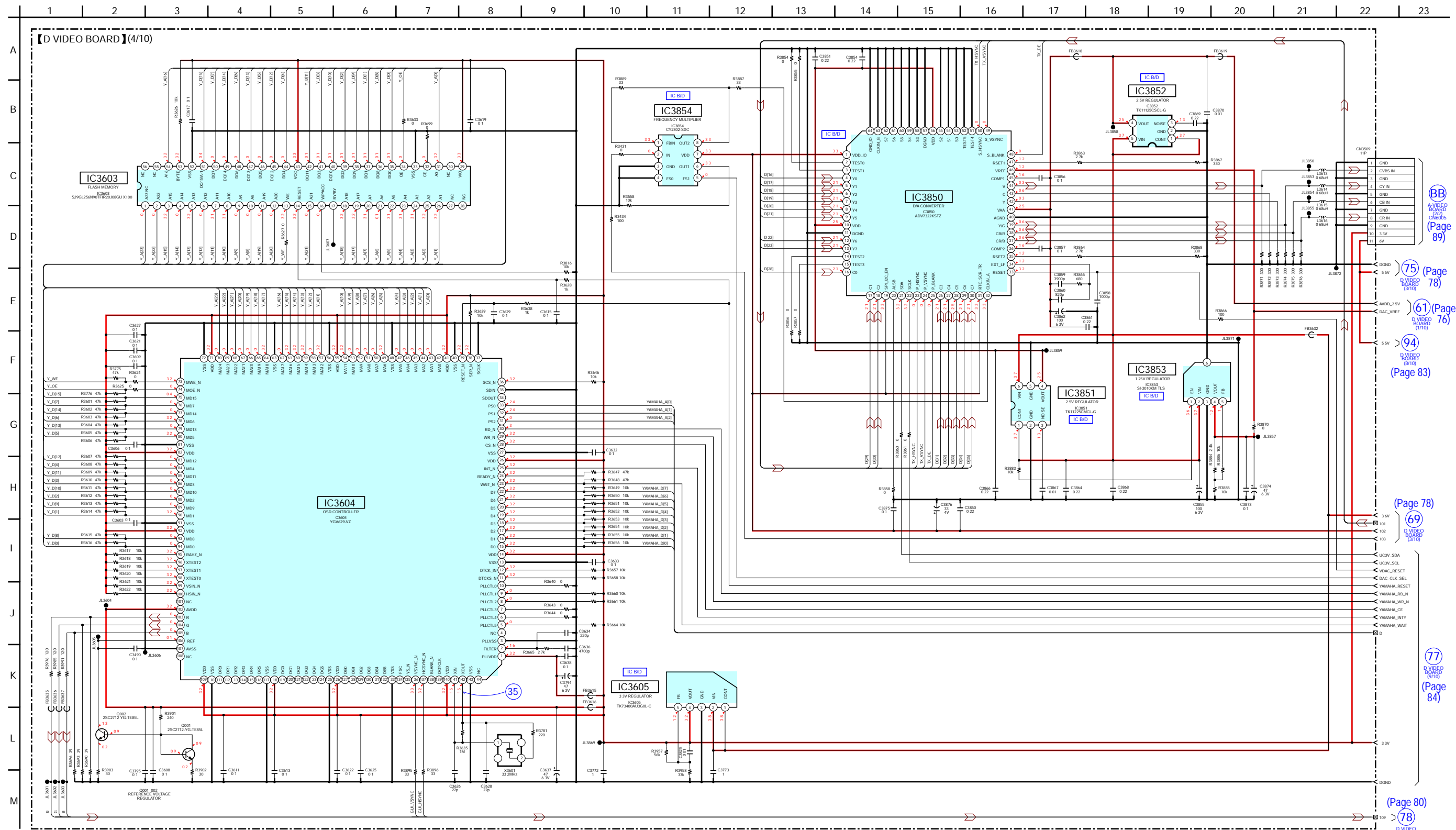
67 D VIDEO BOARD (5/10) (Page 80)

BA A VIDEO BOARD (1/2) CN3607 (Page 88)

6-51. SCHEMATIC DIAGRAM - D VIDEO Board (3/10) - See page 112 for IC Block Diagrams. See page 127 for IC Pin Function Description.



6-52. SCHEMATIC DIAGRAM - D VIDEO Board (4/10) - See page 107 for waveforms. See page 112 for IC Block Diagrams. See page 127 for IC Pin Function Description.



BB A-VIDEO BOARD (C3850, C3851, C3852, C3853) (Page 89)

75 D-VIDEO BOARD (3/10) (Page 78)

61 D-VIDEO BOARD (1/10) (Page 76)

94 D-VIDEO BOARD (8/10) (Page 83)

(Page 78)

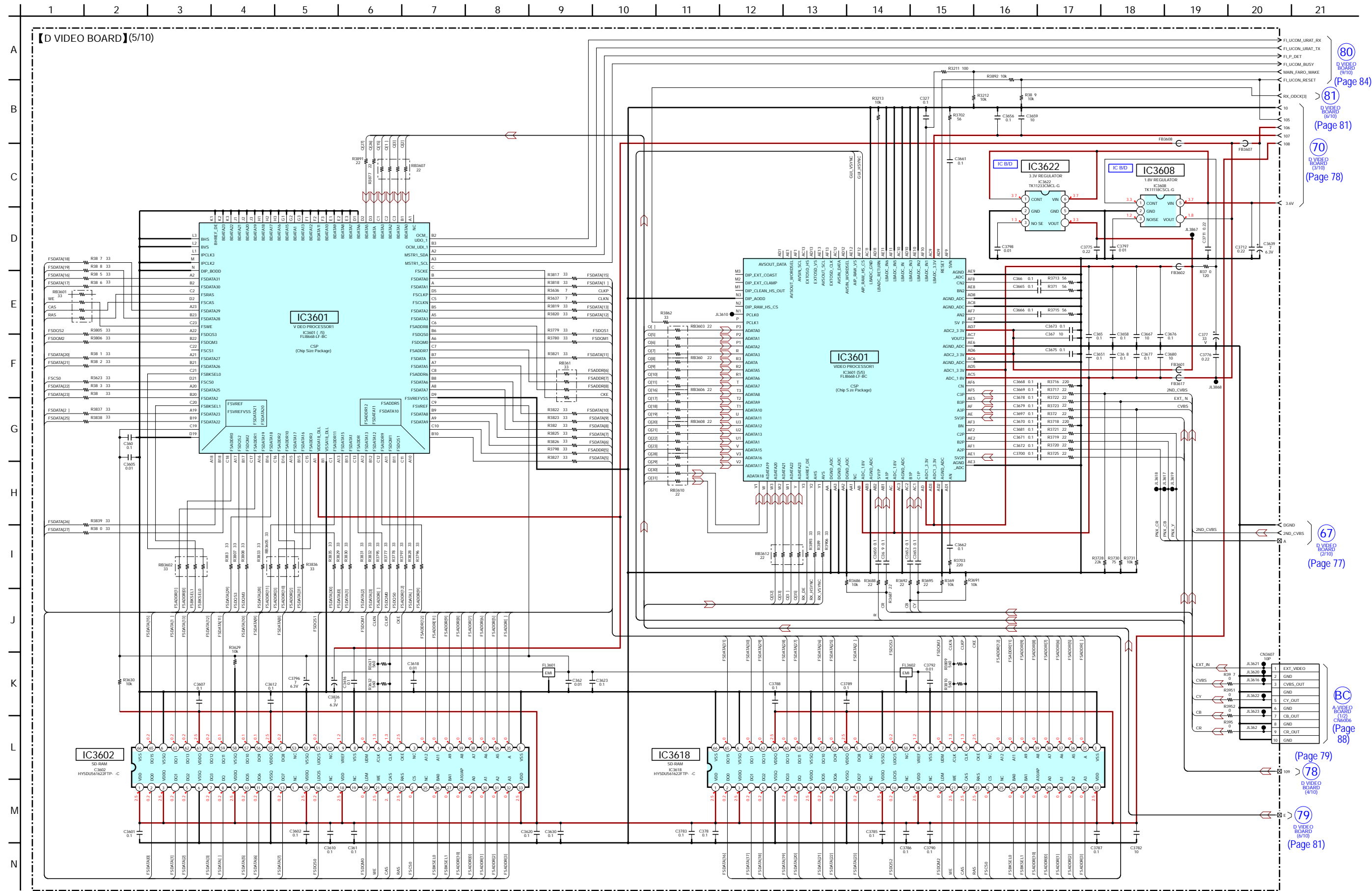
69 D-VIDEO BOARD (5/10) (Page 84)

77 D-VIDEO BOARD (9/10) (Page 84)

(Page 80)

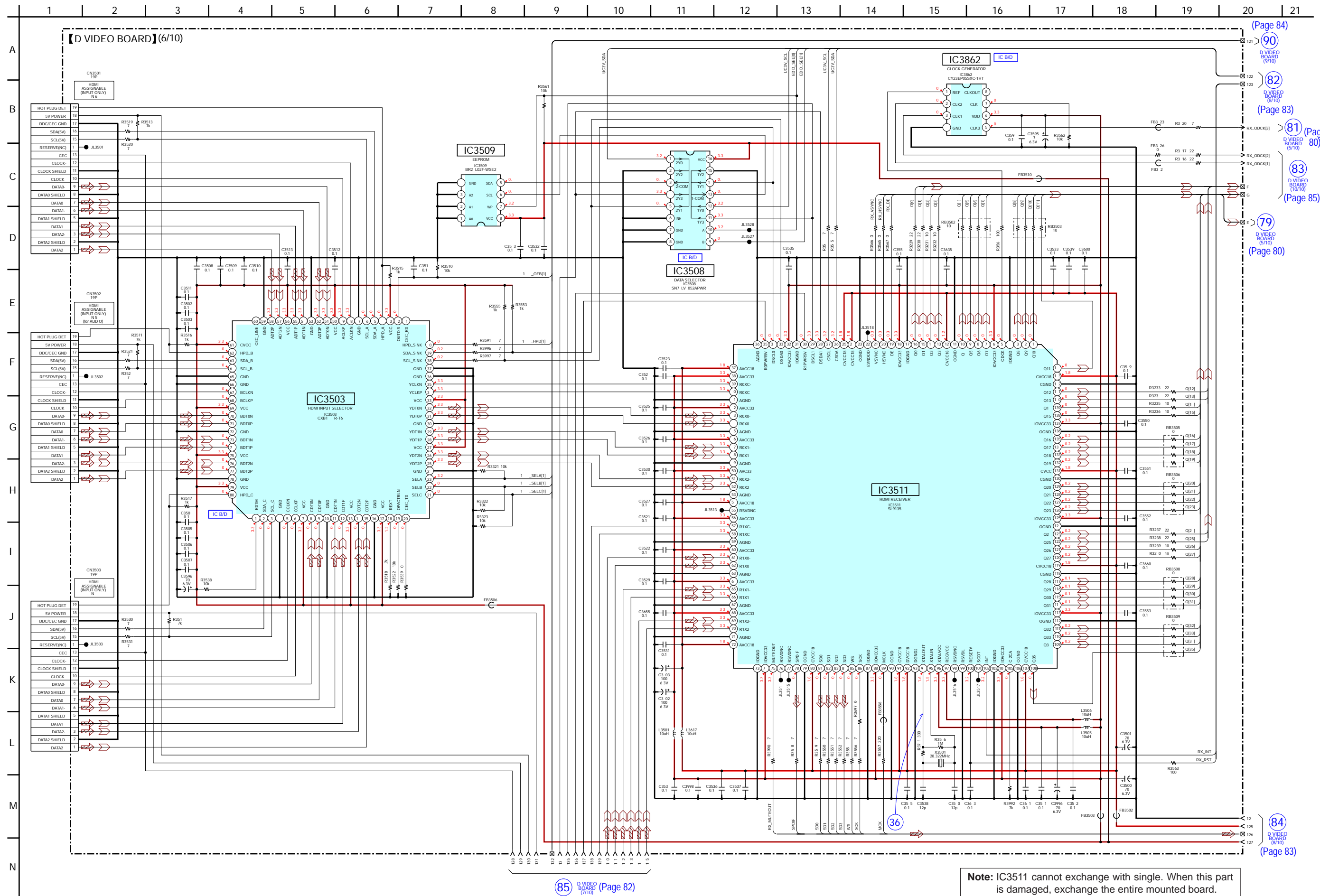
78 D-VIDEO BOARD (6/10) (Page 80)

6-53. SCHEMATIC DIAGRAM - D VIDEO Board (5/10) - See page 112 for IC Block Diagrams. See page 127 for IC Pin Function Description.



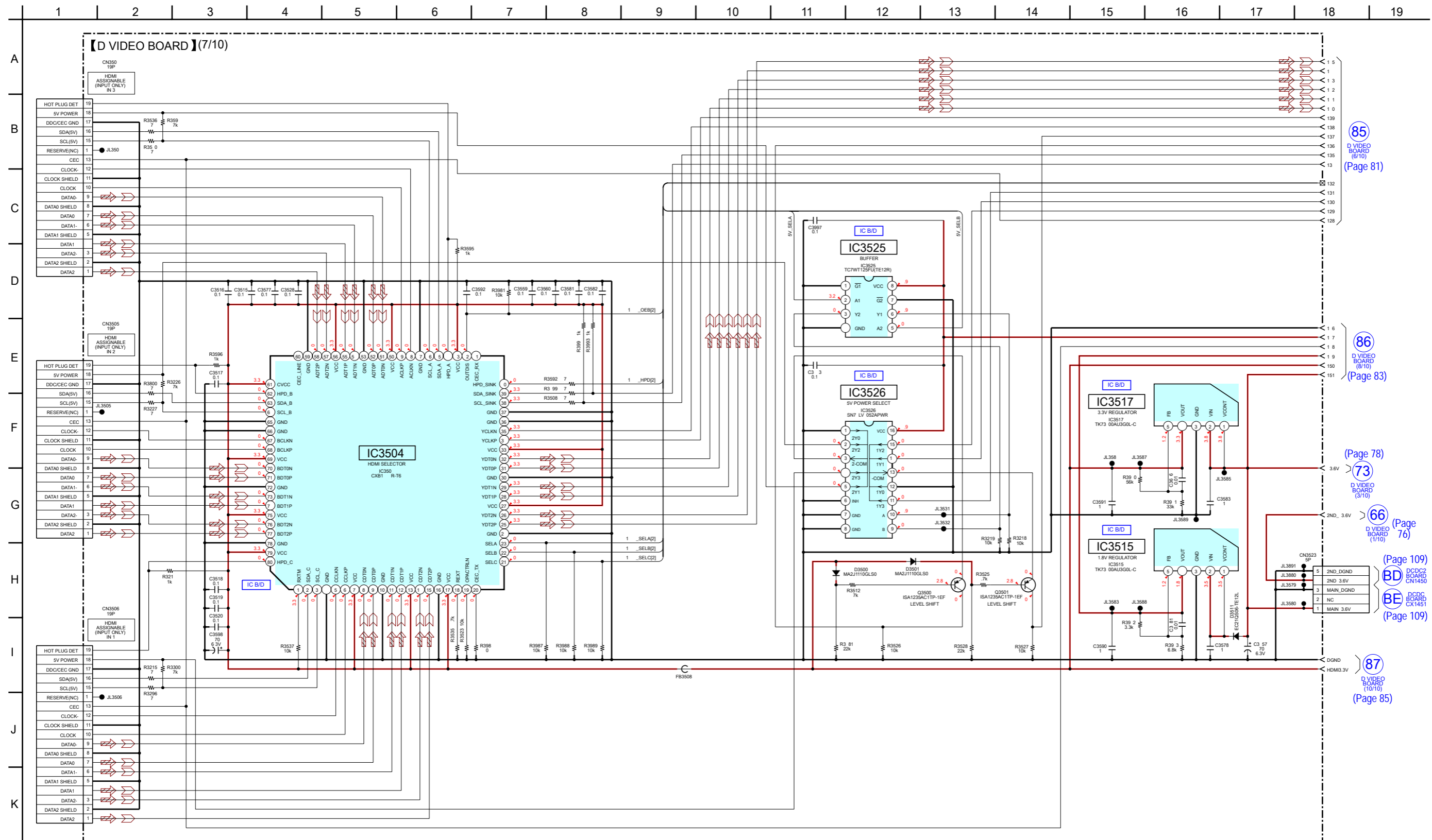
(80) D VIDEO BOARD (9/10) (Page 84)
(81) D VIDEO BOARD (6/10) (Page 81)
(70) D VIDEO BOARD (5/10) (Page 78)
(67) D VIDEO BOARD (5/10) (Page 77)
(BC) D VIDEO BOARD (1/2) CM6606 (Page 88)
(78) D VIDEO BOARD (4/10) (Page 79)
(79) D VIDEO BOARD (6/10) (Page 81)

6-54. SCHEMATIC DIAGRAM - D VIDEO Board (6/10) - See page 107 for waveforms. See page 112 for IC Block Diagrams. See page 127 for IC Pin Function Description.



Note: IC3511 cannot exchange with single. When this part is damaged, exchange the entire mounted board.

6-55. SCHEMATIC DIAGRAM - D VIDEO Board (7/10) - See page 112 for IC Block Diagrams.



85 D VIDEO BOARD (6/10) (Page 81)

86 D VIDEO BOARD (8/10) (Page 83)

73 D VIDEO BOARD (3/10) (Page 78)

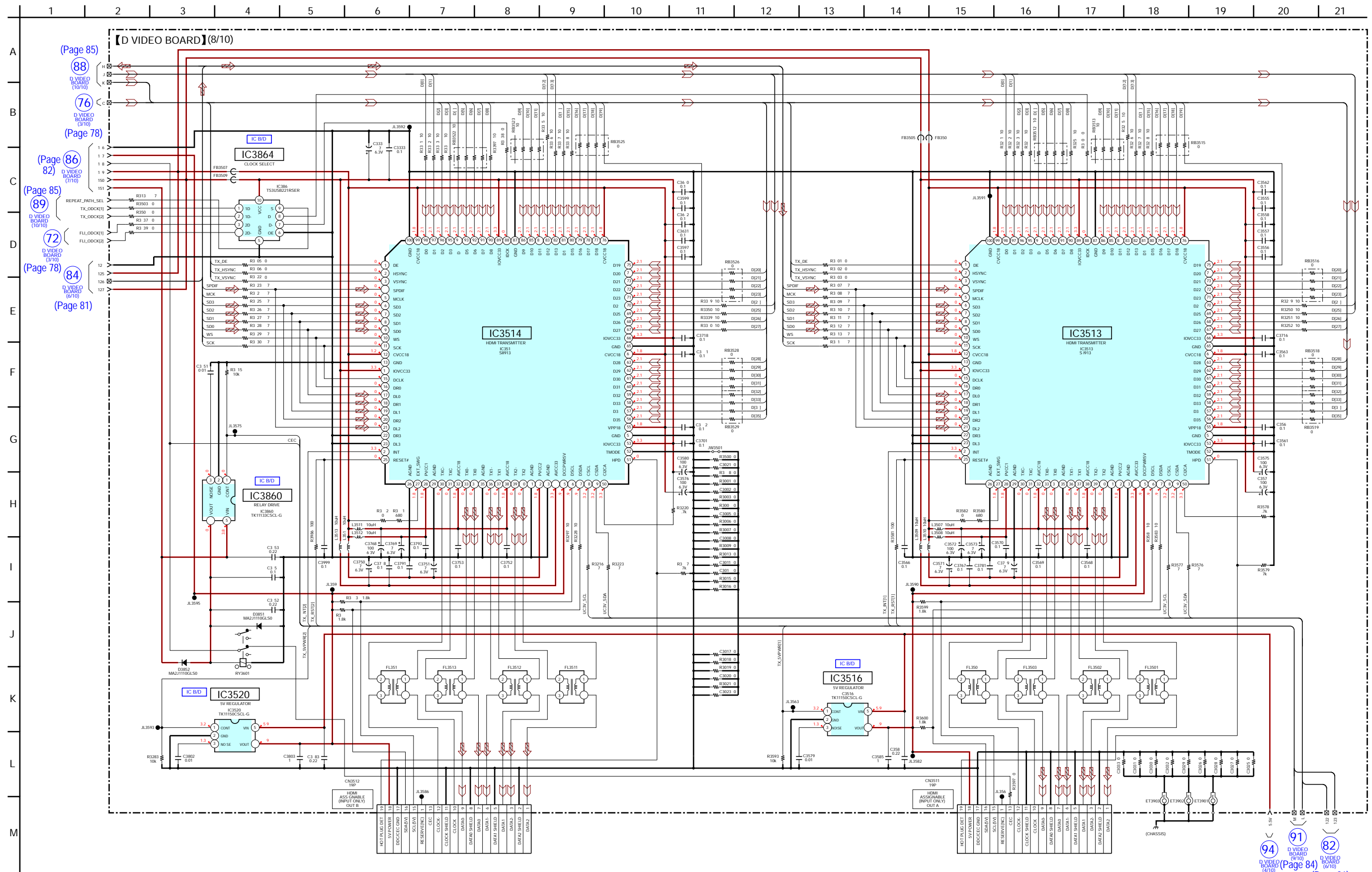
66 D VIDEO BOARD (1/10) (Page 76)

BD DCDC2 BOARD CN1450 (Page 109)

BE DCDC BOARD CX1451 (Page 109)

87 D VIDEO BOARD (10/10) (Page 85)

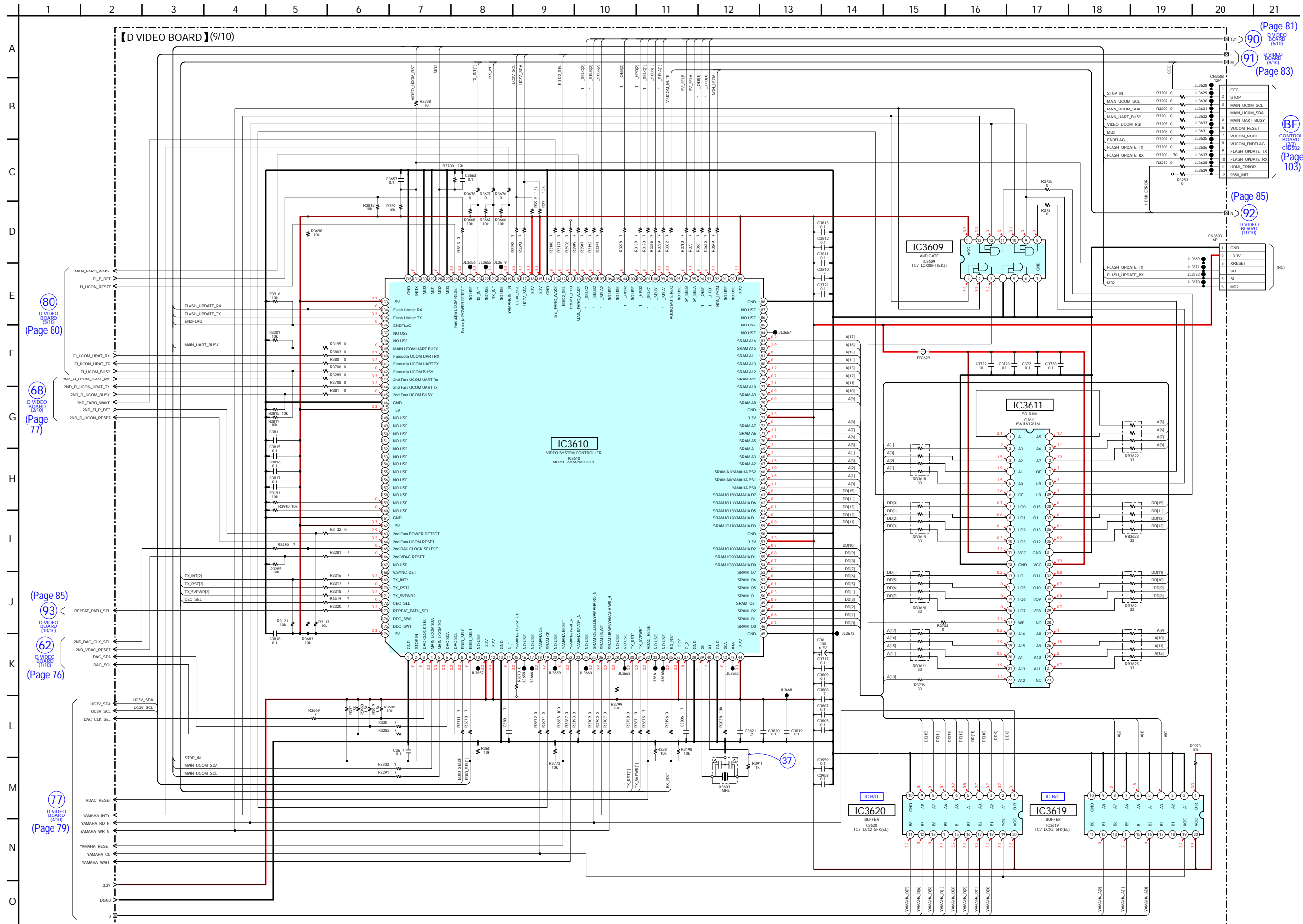
6-56. SCHEMATIC DIAGRAM - D VIDEO Board (8/10) - See page 112 for IC Block Diagrams. See page 127 for IC Pin Function Description.



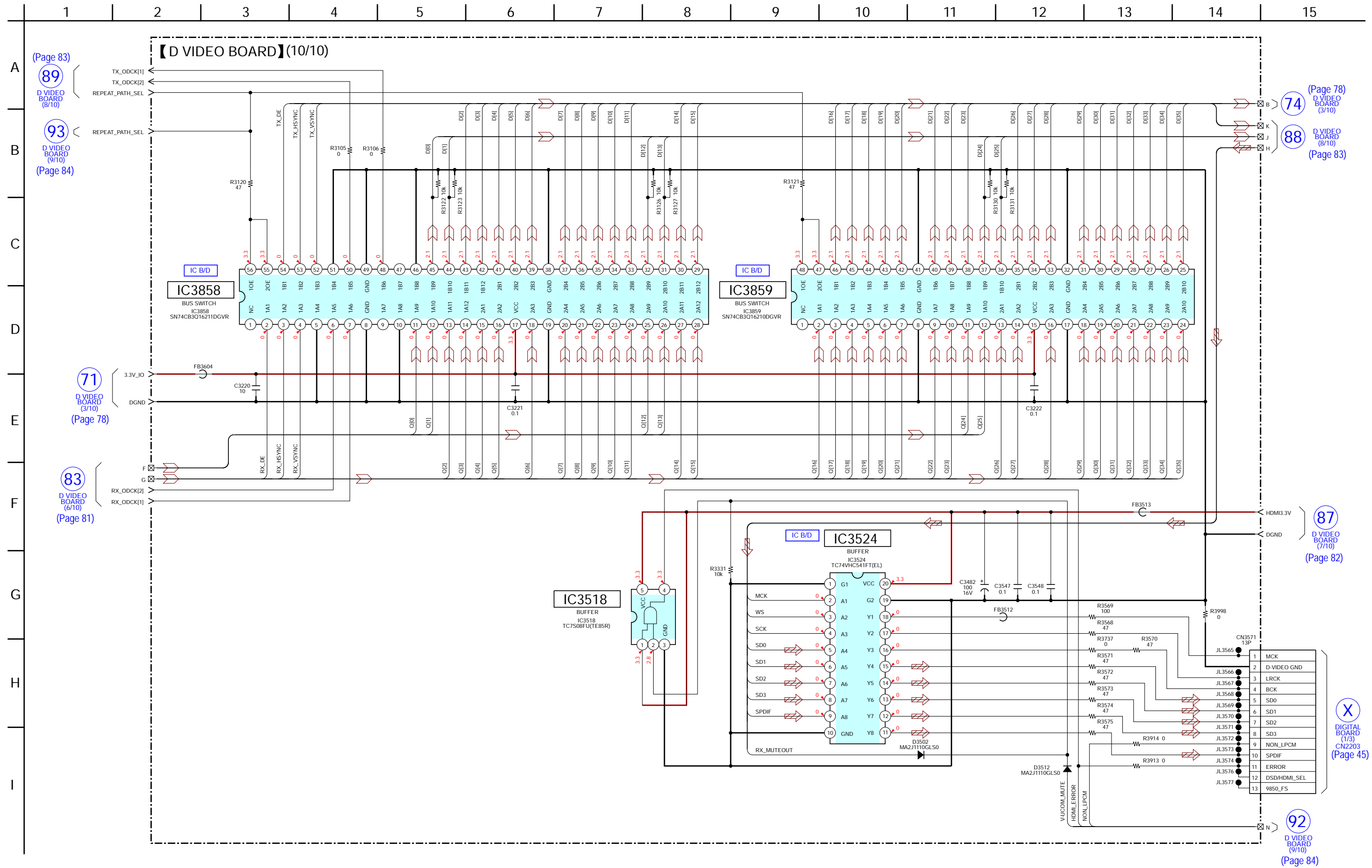
Note: IC3513 and IC3514 cannot exchange with single. When these parts are damaged, exchange the entire mounted board.


94 D VIDEO BOARD (8/10)
 91 D VIDEO BOARD (9/10)
 82 D VIDEO BOARD (6/10)
 (Page 79) (Page 84) (Page 81)

6-57. SCHEMATIC DIAGRAM - D VIDEO Board (9/10) - • See page 107 for waveforms. • See page 112 for IC Block Diagrams. • See page 127 for IC Pin Function Description.



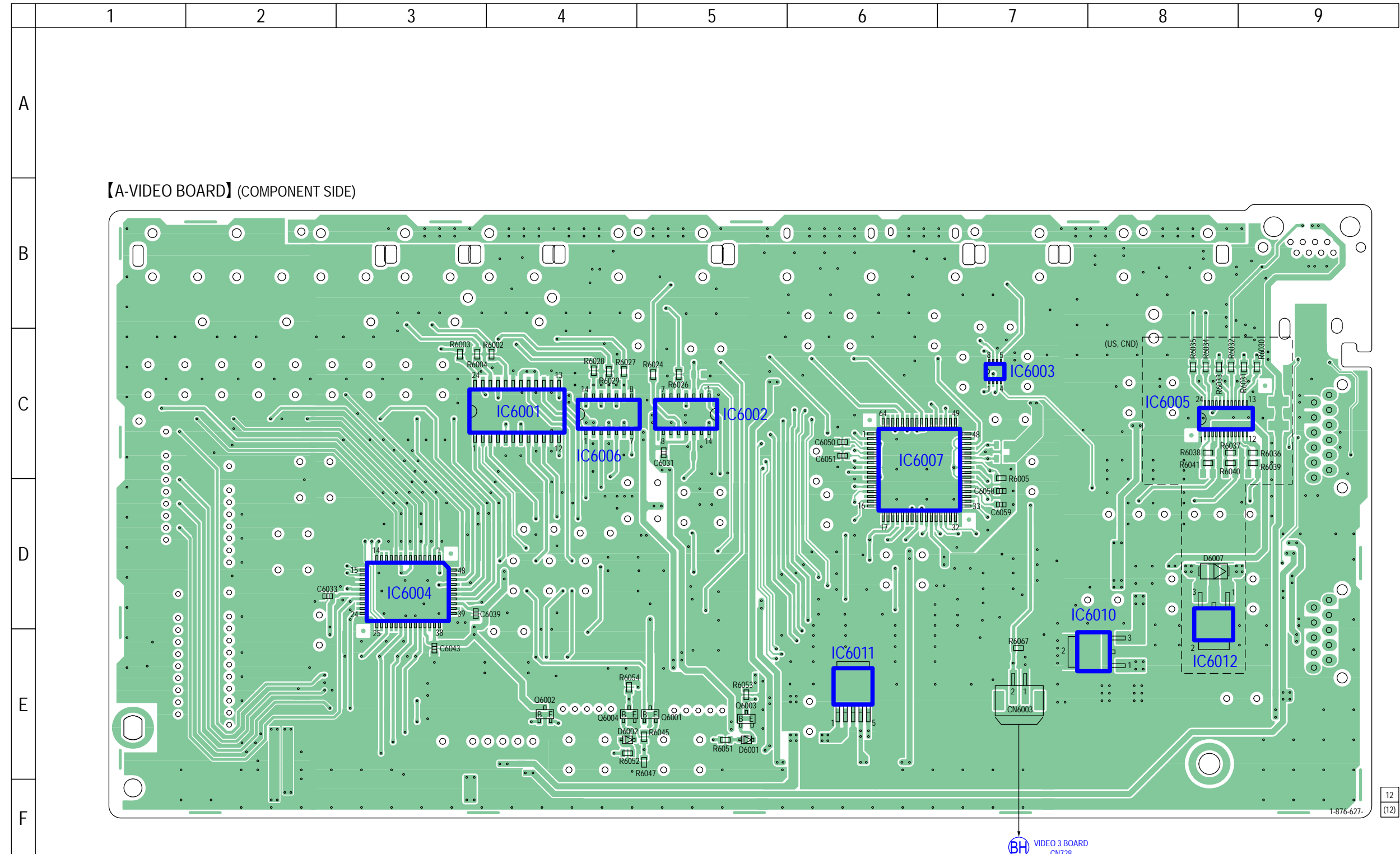
6-58. SCHEMATIC DIAGRAM - D VIDEO Board (10/10) - See page 112 for IC Block Diagrams.



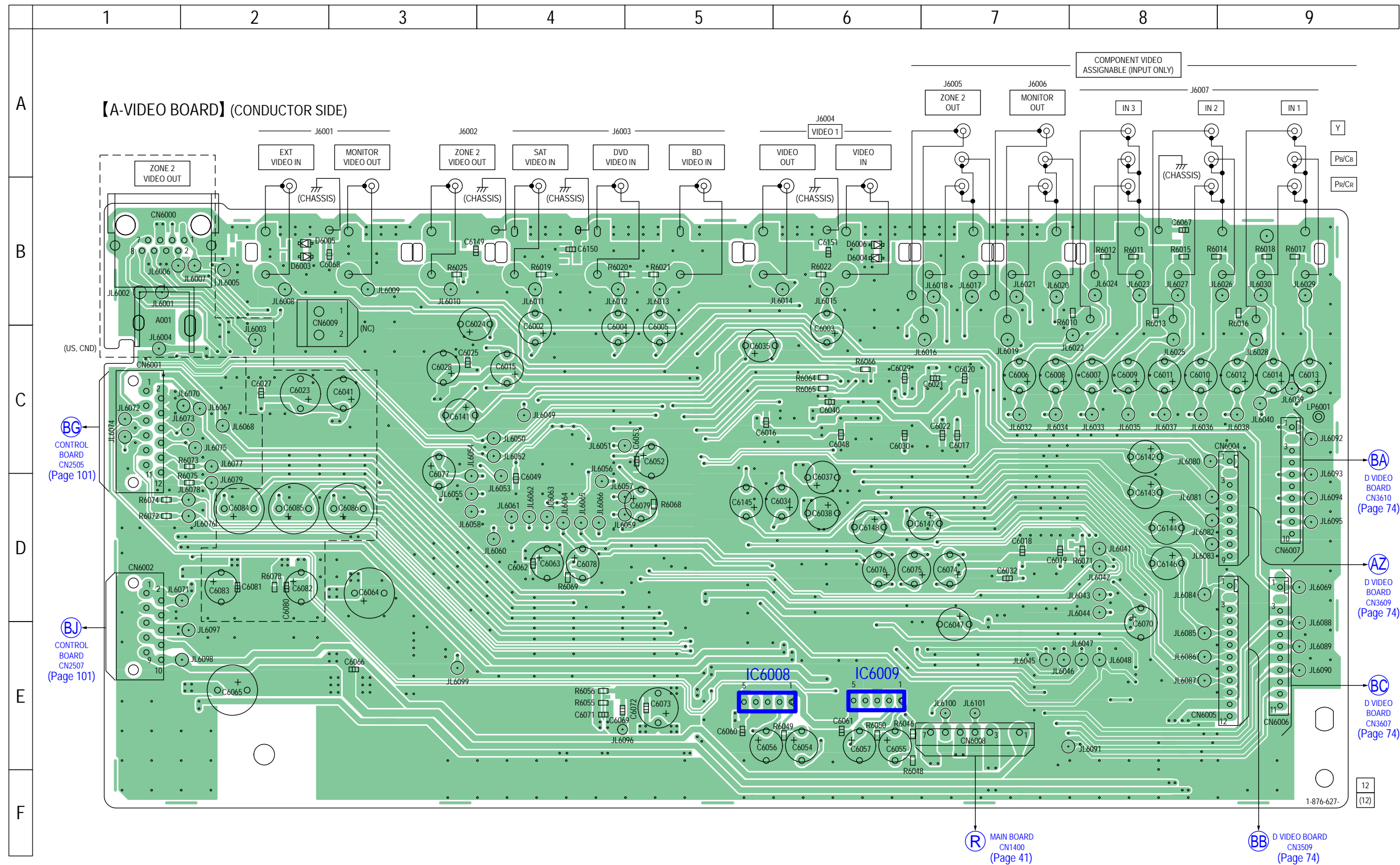
6-59. PRINTED WIRING BOARD - A-VIDEO Board (Component Side) - • See page 39 for Circuit Boards Location. •  : Uses unleaded solder.

• Semiconductor Location

Ref. No.	Location
D6001	E-5
D6002	E-4
D6007	D-8
IC6001	C-4
IC6002	C-5
IC6003	C-7
IC6004	D-3
IC6005	C-8
IC6006	C-4
IC6007	C-6
IC6010	E-8
IC6011	E-6
IC6012	D-8
Q6001	E-5
Q6002	E-4
Q6003	E-5
Q6004	E-4



6-60. PRINTED WIRING BOARD - A-VIDEO Board (Conductor Side) - • See page 39 for Circuit Boards Location. • **LF** : Uses unleaded solder.



• Semiconductor Location

Ref. No.	Location
D6003	B-2
D6004	B-6
D6005	B-2
D6006	B-6
IC6008	E-5
IC6009	E-6

BG
CONTROL BOARD
CN2505
(Page 101)

BJ
CONTROL BOARD
CN2507
(Page 101)

BA
D VIDEO BOARD
CN3610
(Page 74)

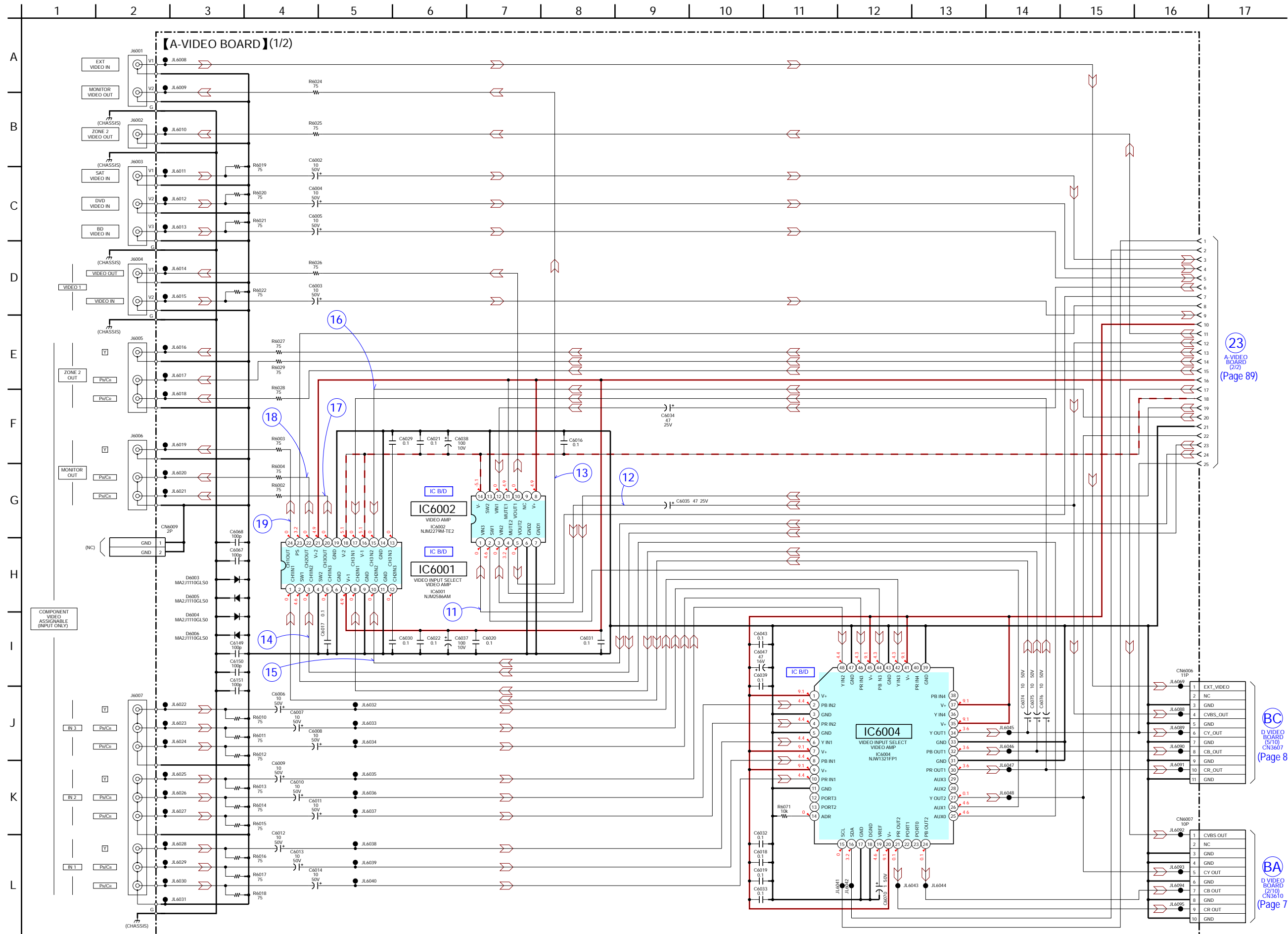
AZ
D VIDEO BOARD
CN3609
(Page 74)

BC
D VIDEO BOARD
CN3607
(Page 74)

R
MAIN BOARD
CN1400
(Page 41)

BB
D VIDEO BOARD
CN3509
(Page 74)

6-61. SCHEMATIC DIAGRAM - A-VIDEO Board (1/2) - • See page 107 for waveforms. • See page 112 for IC Block Diagrams.

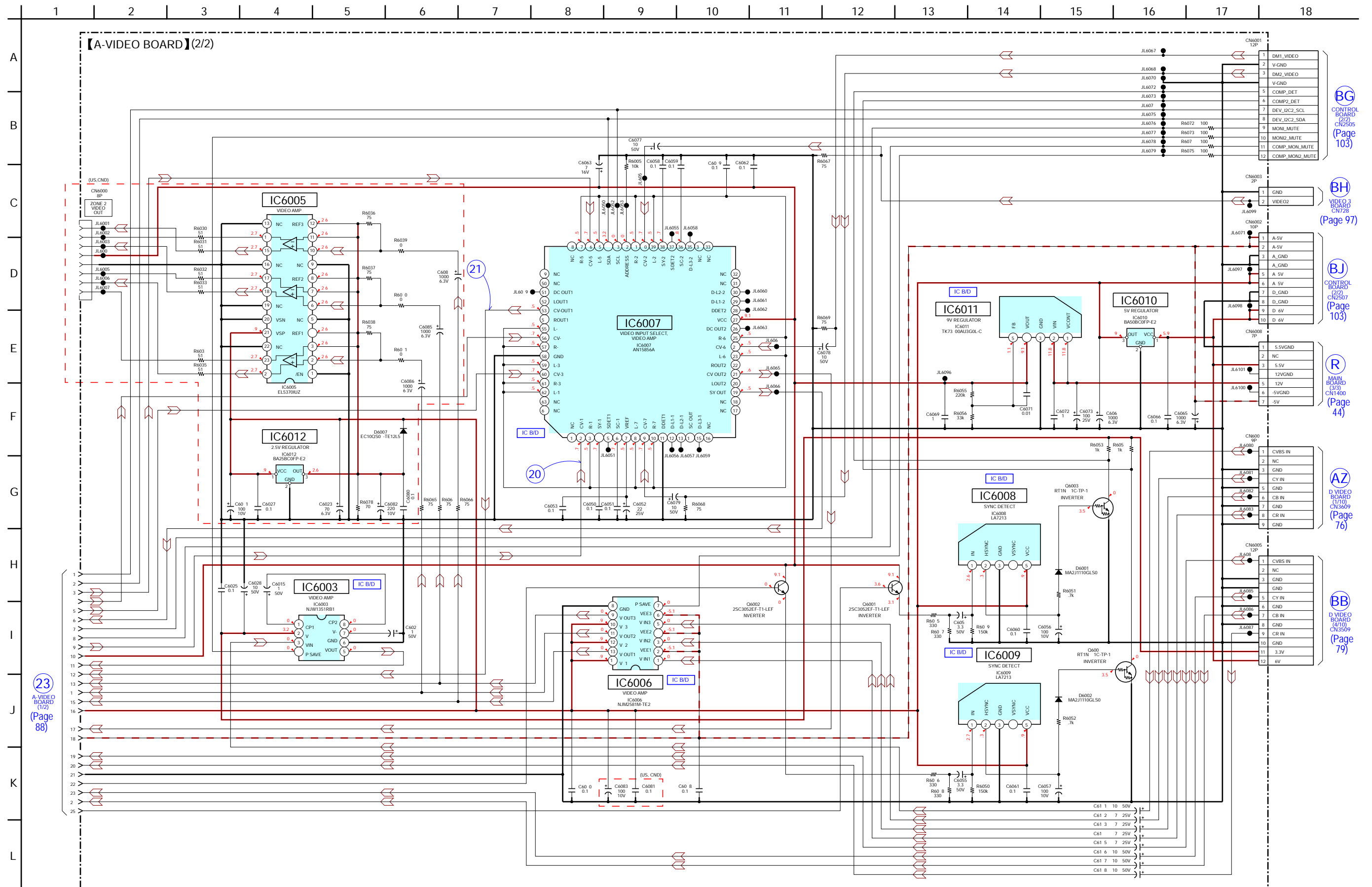


23 A-VIDEO BOARD (2/2) (Page 89)

BC D-VIDEO BOARD (5/10) CN3607 (Page 80)

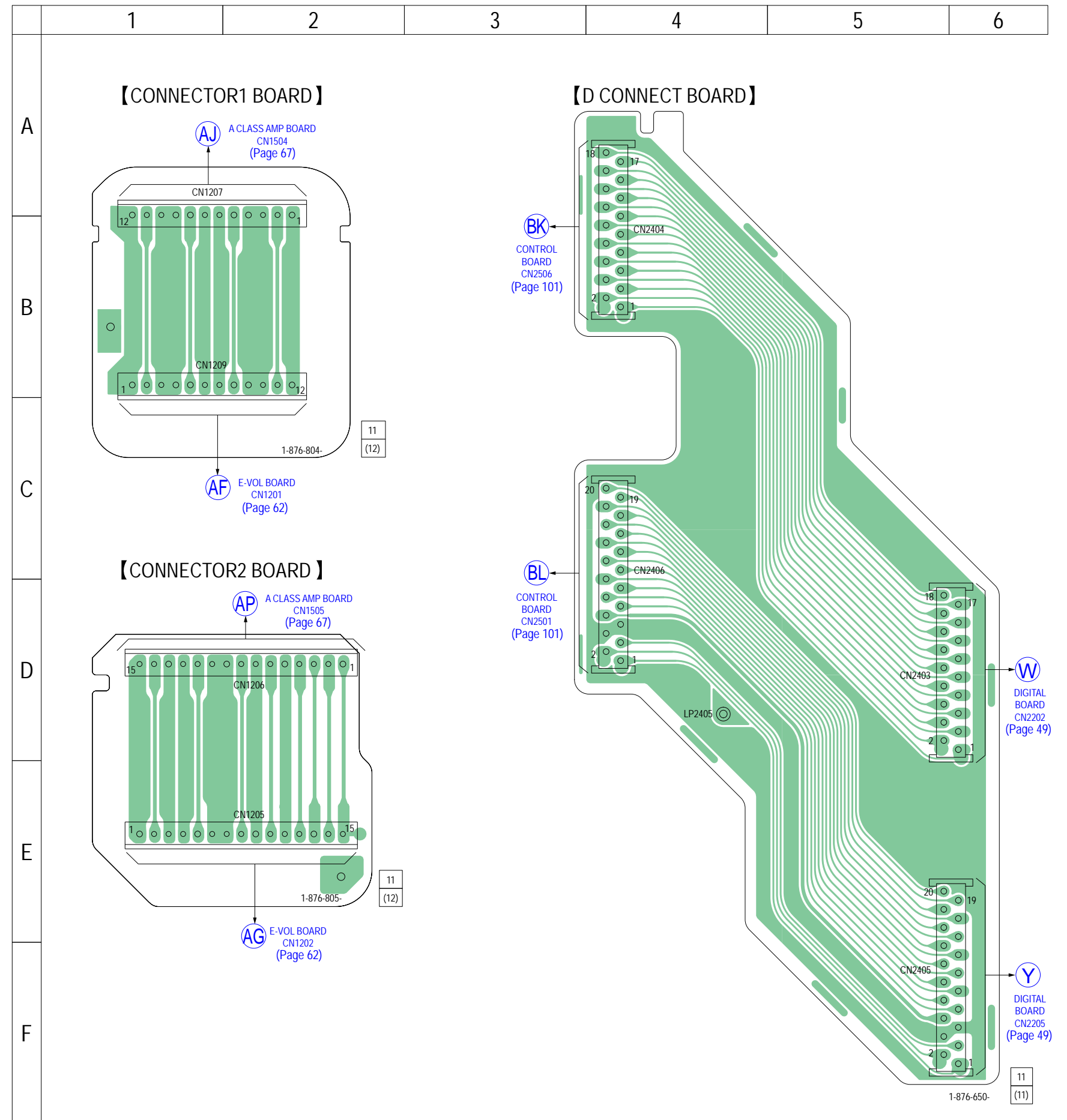
BA D-VIDEO BOARD (2/10) CN3610 (Page 77)

6-62. SCHEMATIC DIAGRAM - A-VIDEO Board (2/2) - See page 107 for waveforms. See page 112 for IC Block Diagrams.

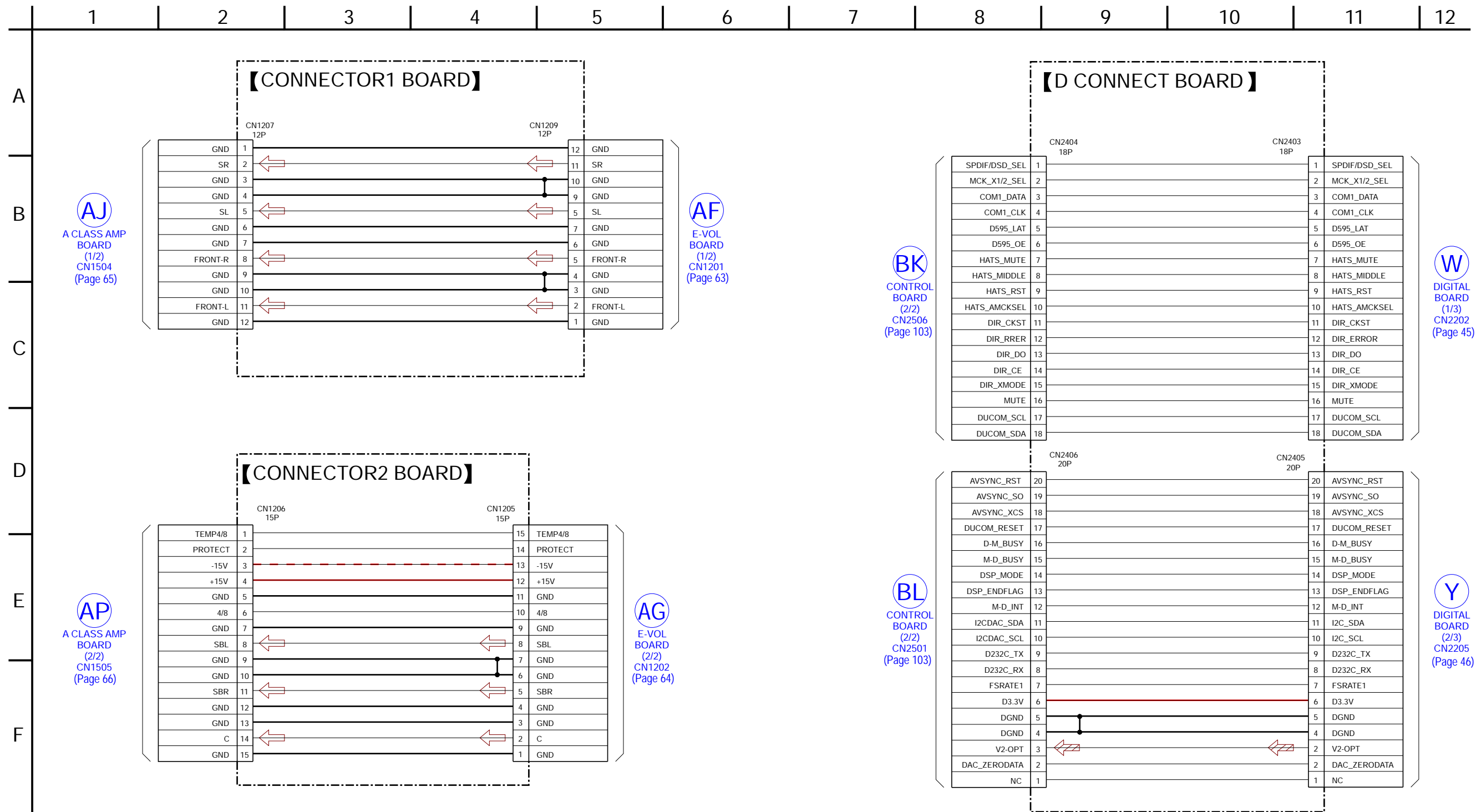


23 A-VIDEO BOARD (2/2) (Page 88)

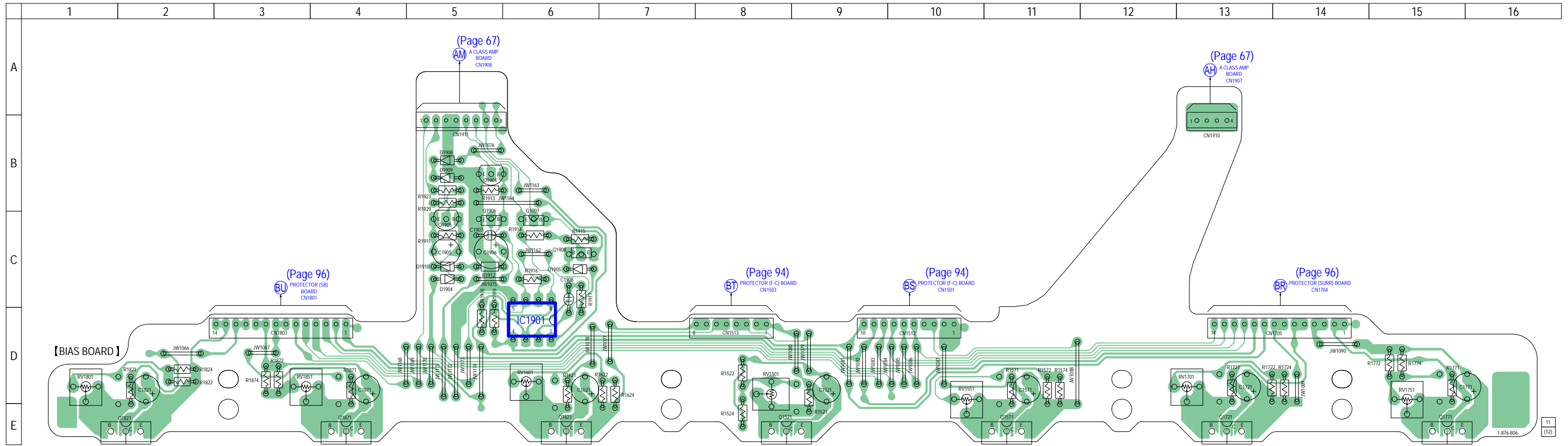
6-63. PRINTED WIRING BOARDS - CONNECTOR Section - • See page 39 for Circuit Boards Location. •  : Uses unleaded solder.



6-64. SCHEMATIC DIAGRAM - CONNECTOR Section -



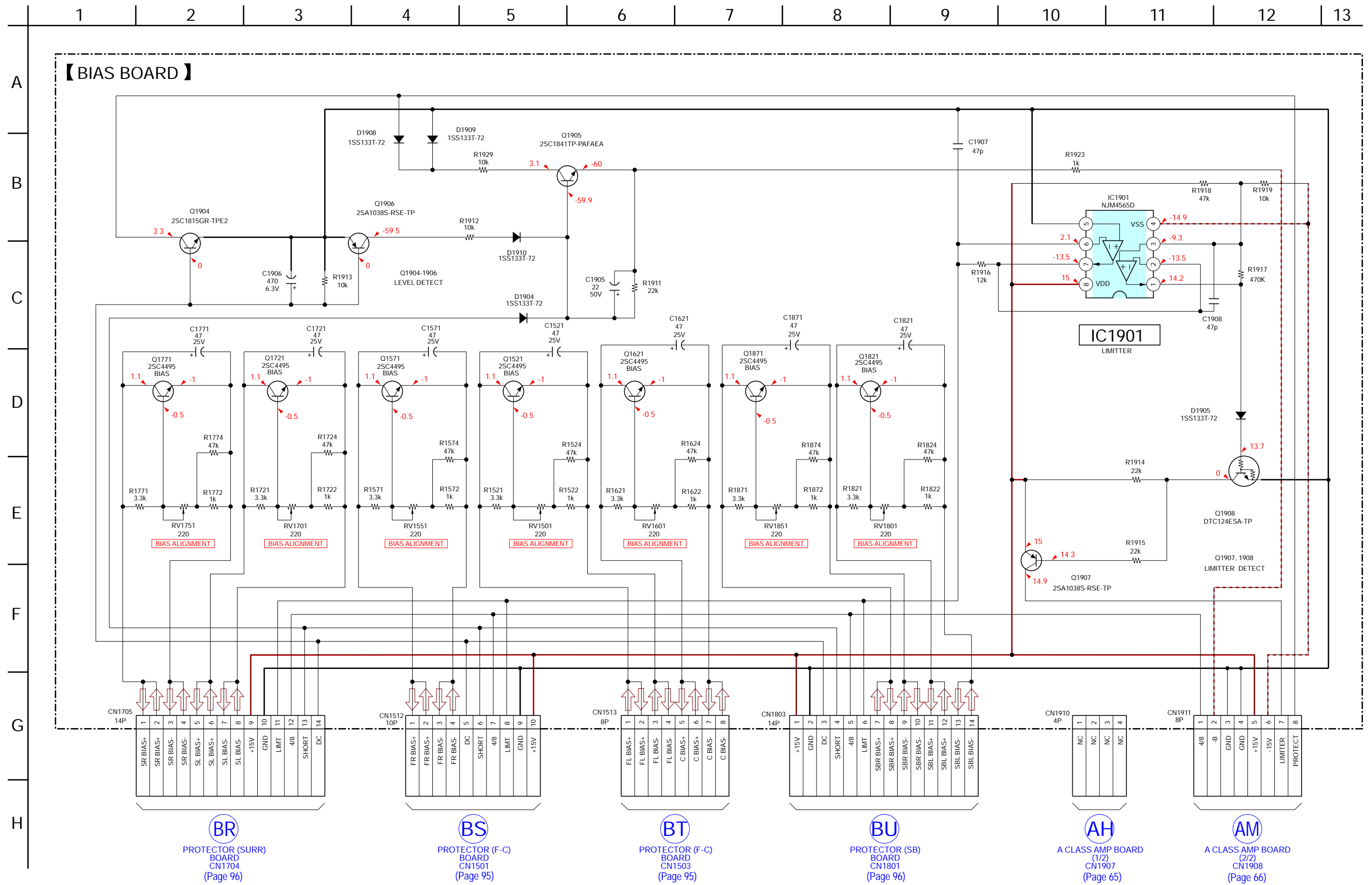
6-65. PRINTED WIRING BOARD - BIAS Board - • See page 39 for Circuit Boards Location. • **LF** : Uses unleaded solder.



• Semiconductor Location

Ref. No.	Location
D1904	C-5
D1905	C-6
D1908	B-5
D1909	B-5
D1910	C-5
IC1901	D-6
Q1521	E-8
Q1571	E-11
Q1621	E-6
Q1721	E-13
Q1771	E-15
Q1821	E-2
Q1871	E-4
Q1904	B-5
Q1905	C-5
Q1906	C-5
Q1907	C-6
Q1908	C-6

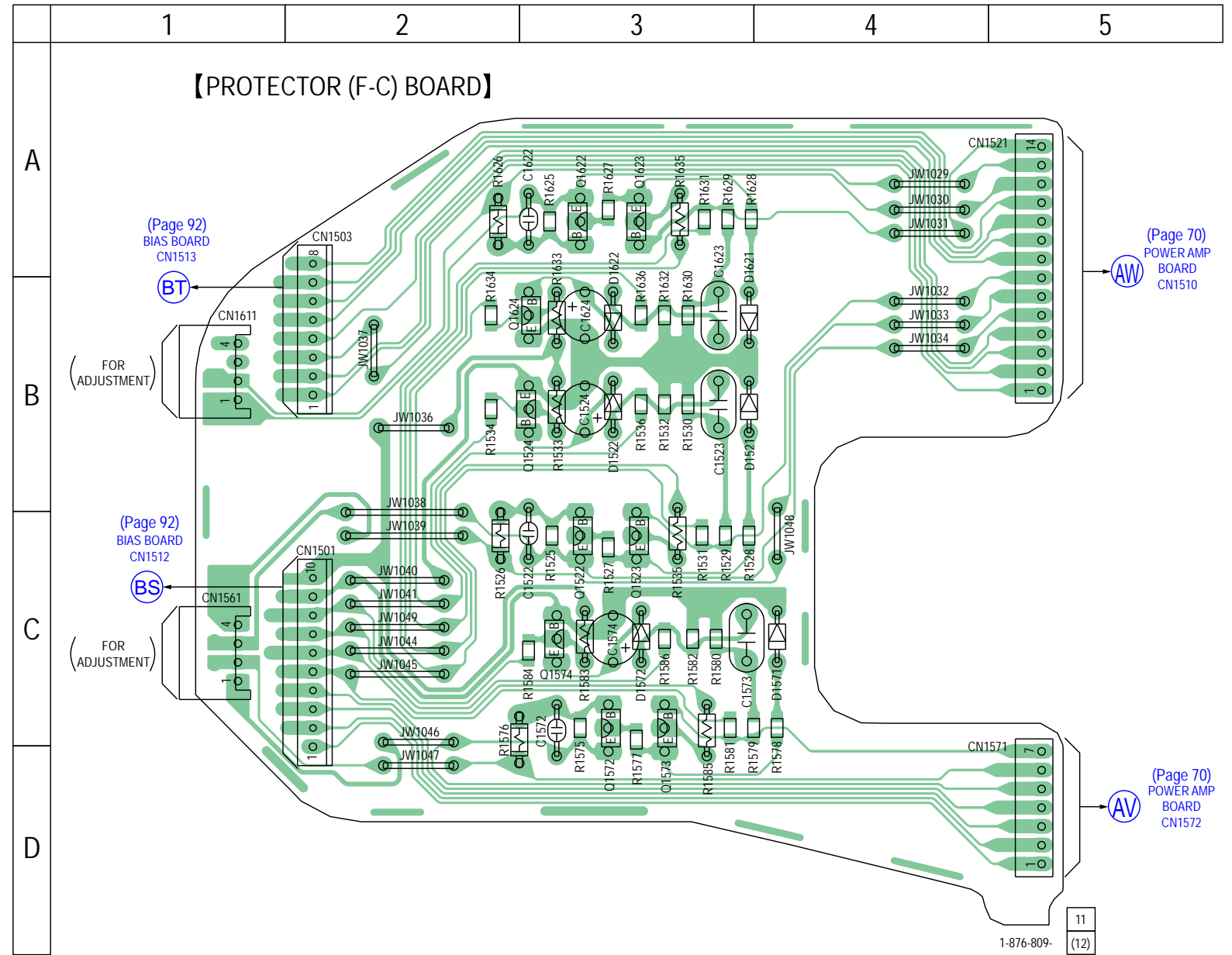
6-66. SCHEMATIC DIAGRAM - BIAS Board -



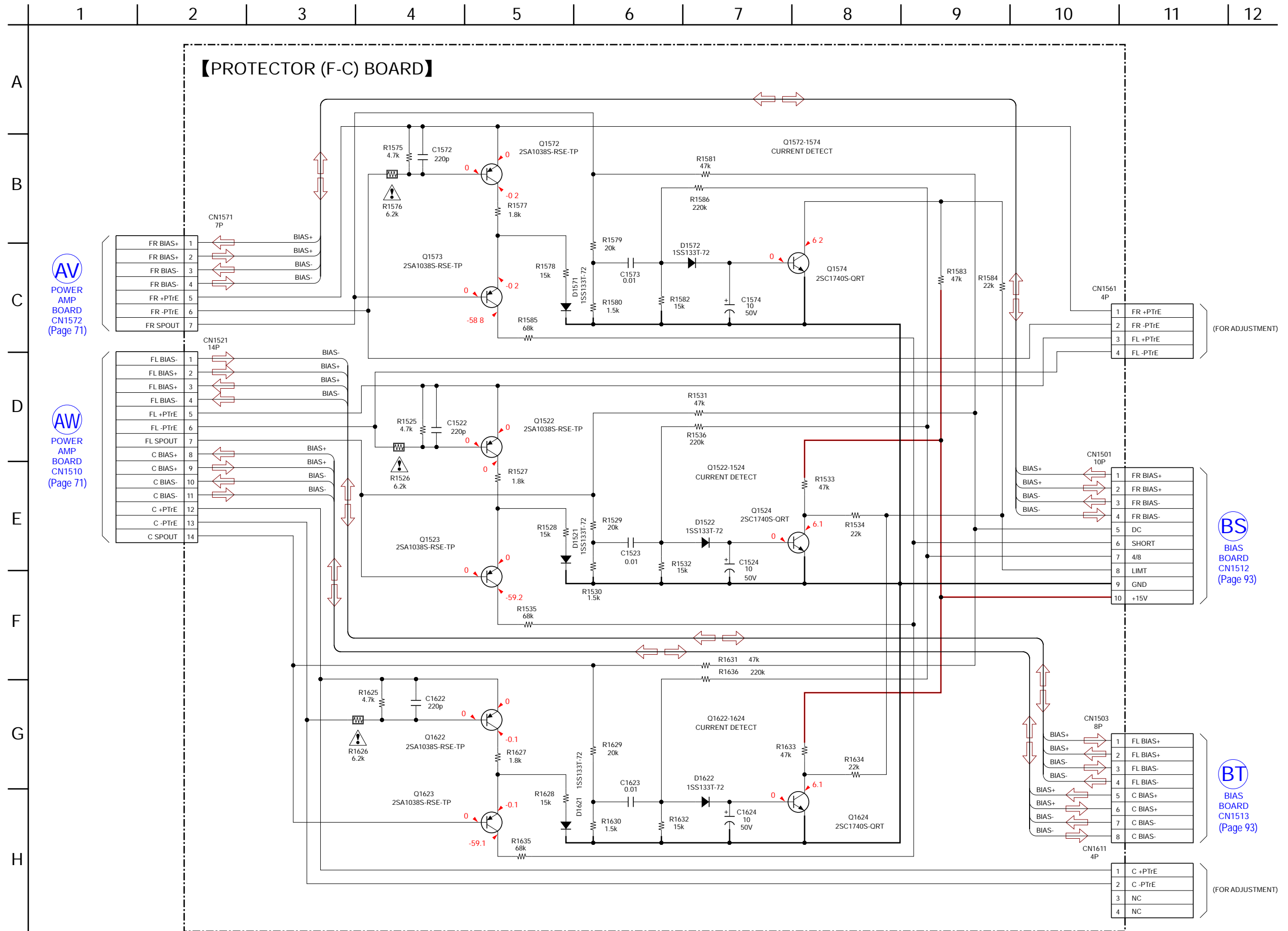
6-67. PRINTED WIRING BOARD - PROTECTOR (F-C) Board - • See page 39 for Circuit Boards Location. •  : Uses unleaded solder.

• Semiconductor Location

Ref. No.	Location
D1521	B-3
D1522	B-3
D1571	C-4
D1572	C-3
D1621	B-3
D1622	B-3
Q1522	C-3
Q1523	C-3
Q1524	B-3
Q1572	C-3
Q1573	C-3
Q1574	C-3
Q1622	A-3
Q1623	A-3
Q1624	B-3

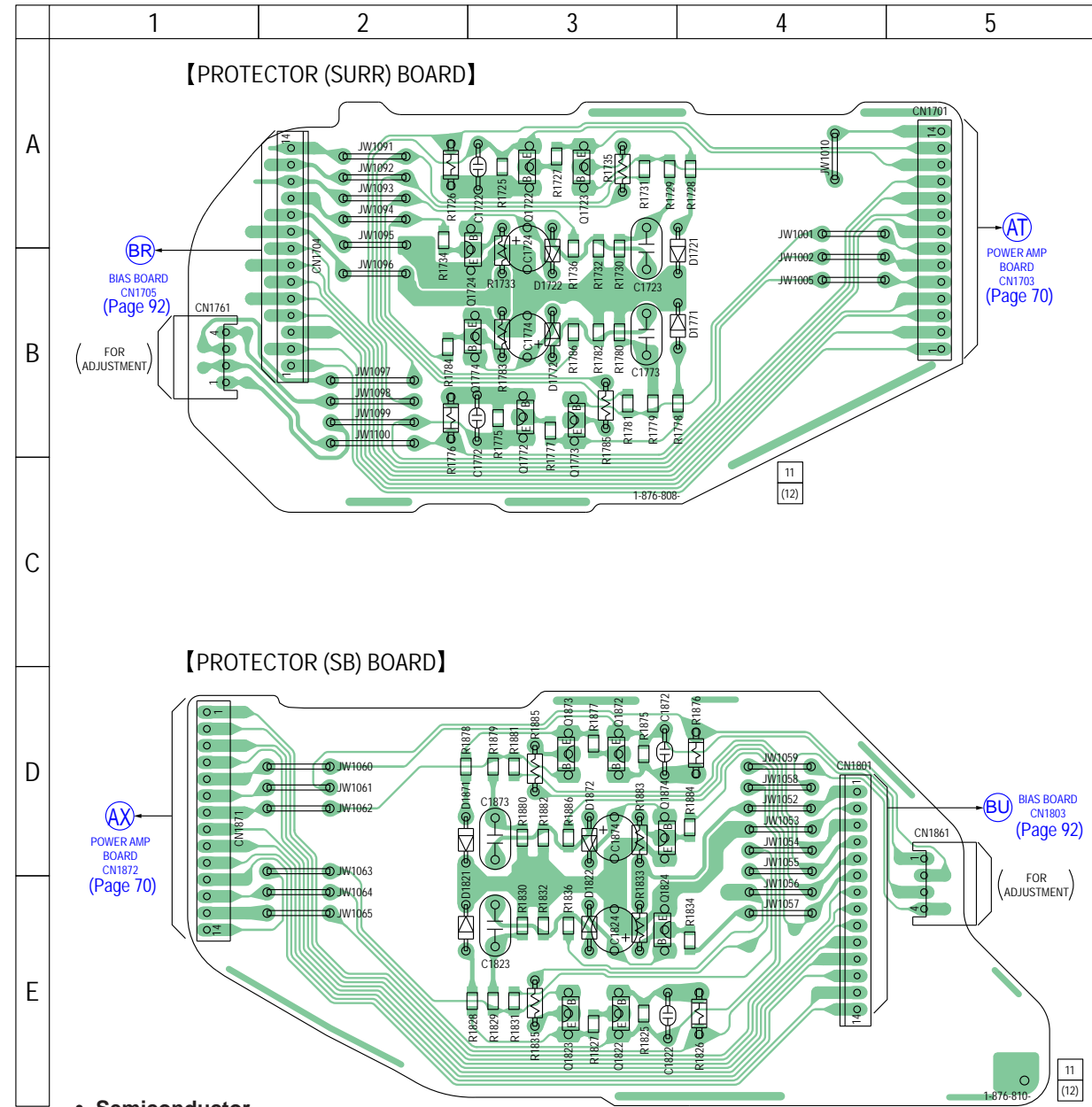


6-68. SCHEMATIC DIAGRAM - PROTECTOR (F-C) Board -



6-69. PRINTED WIRING BOARDS - PROTECTOR (SB/SURR) Section -

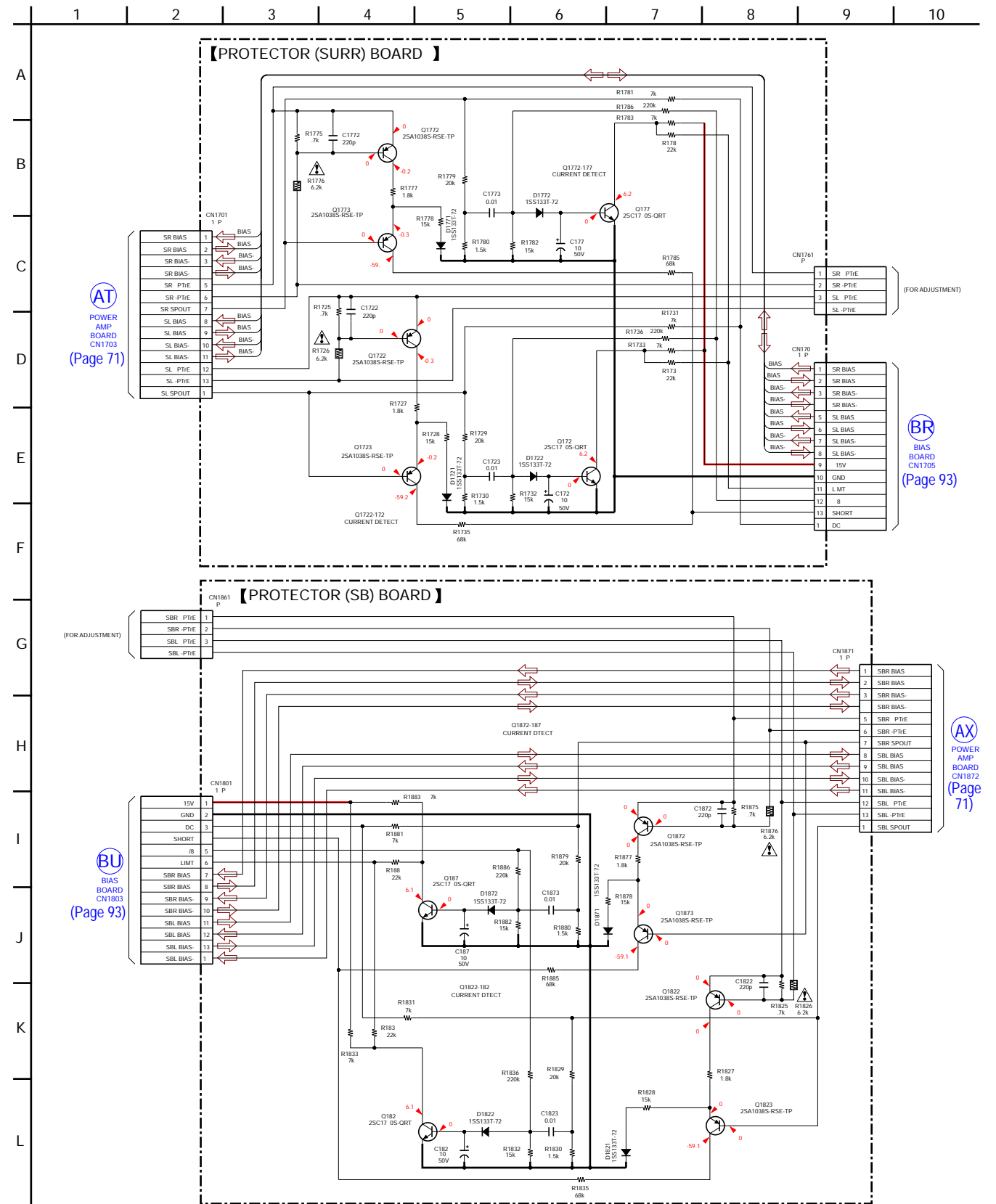
• See page 39 for Circuit Boards Location. •  : Uses unleaded solder.



• Semiconductor Location

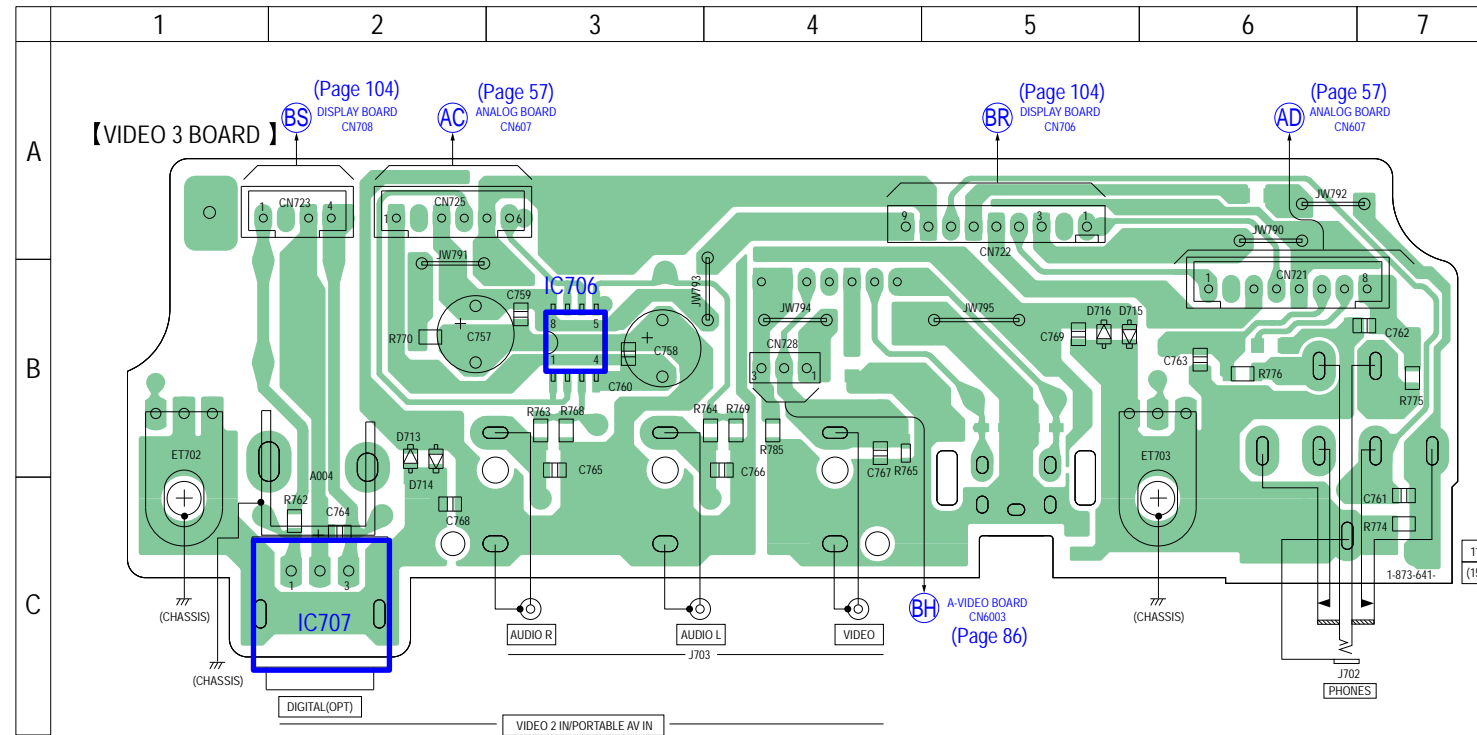
Ref. No.	Location
D1721	B-4
D1722	B-3
D1771	B-4
D1772	B-3
D1821	E-2
D1822	E-3
D1871	E-2
D1872	E-3
Q1722	A-3
Q1723	A-3
Q1724	B-3
Q1772	B-3
Q1773	B-3
Q1774	B-3
Q1822	E-3
Q1823	E-3
Q1824	E-3
Q1872	D-3
Q1873	D-3
Q1874	D-3

6-70. SCHEMATIC DIAGRAM - PROTECTOR (SB/SURR) Section -



6-71. PRINTED WIRING BOARD - VIDEO 3 Board -

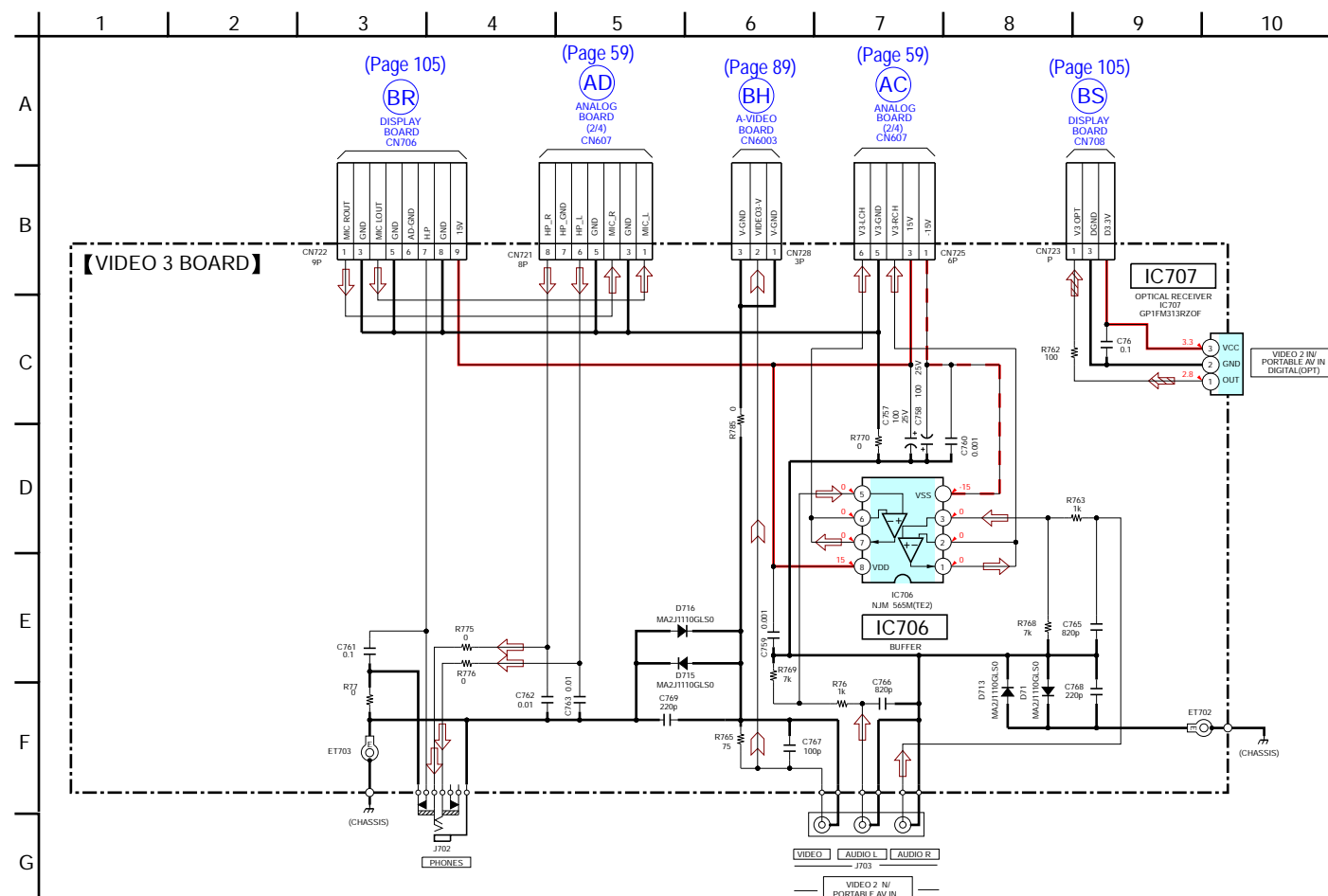
• See page 39 for Circuit Boards Location. •  : Uses unleaded solder.



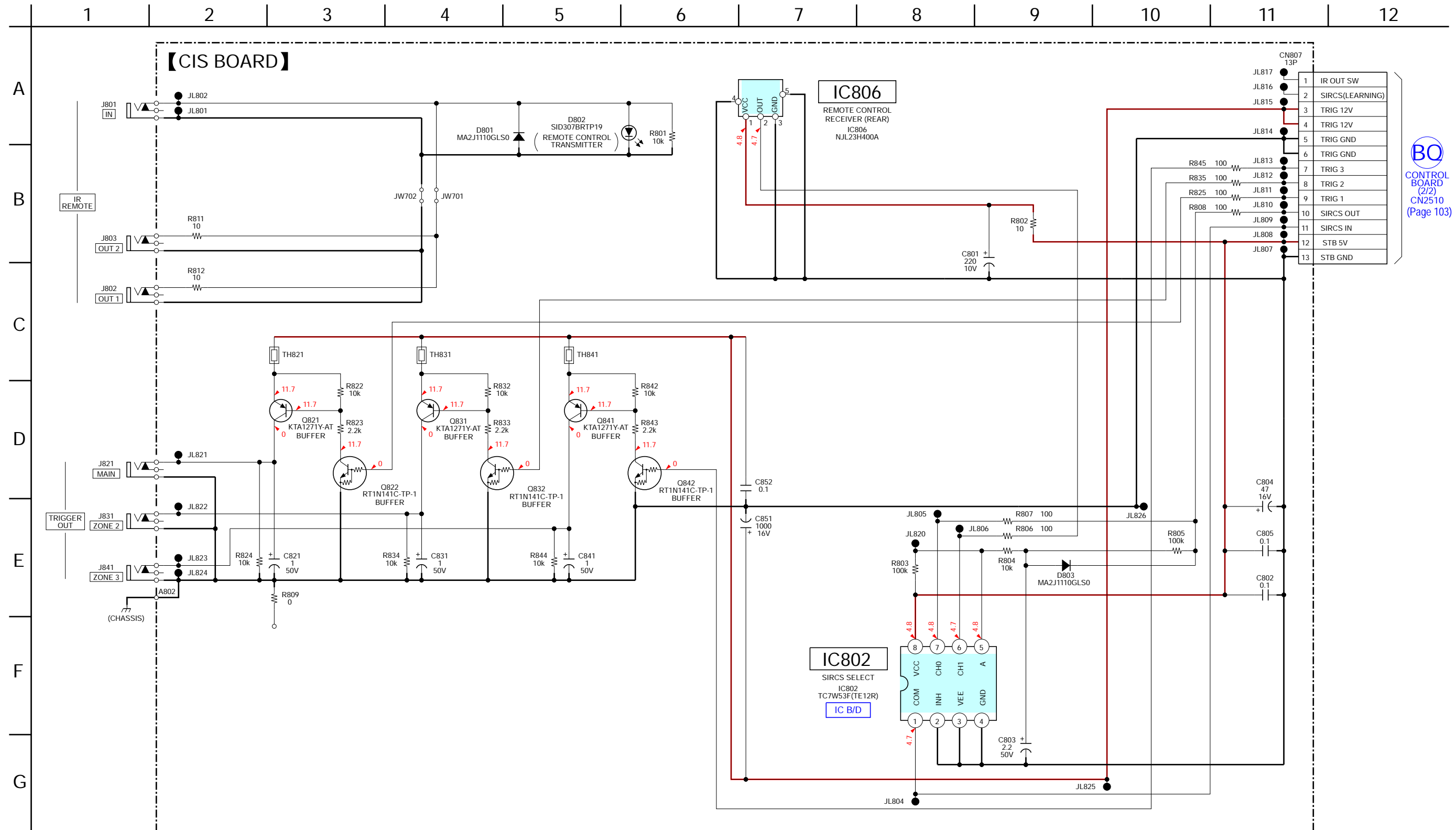
• Semiconductor Location

Ref. No.	Location
D713	B-2
D714	B-2
D715	B-5
D716	B-5
IC706	B-3
IC707	C-2

6-72. SCHEMATIC DIAGRAM - VIDEO 3 Board -



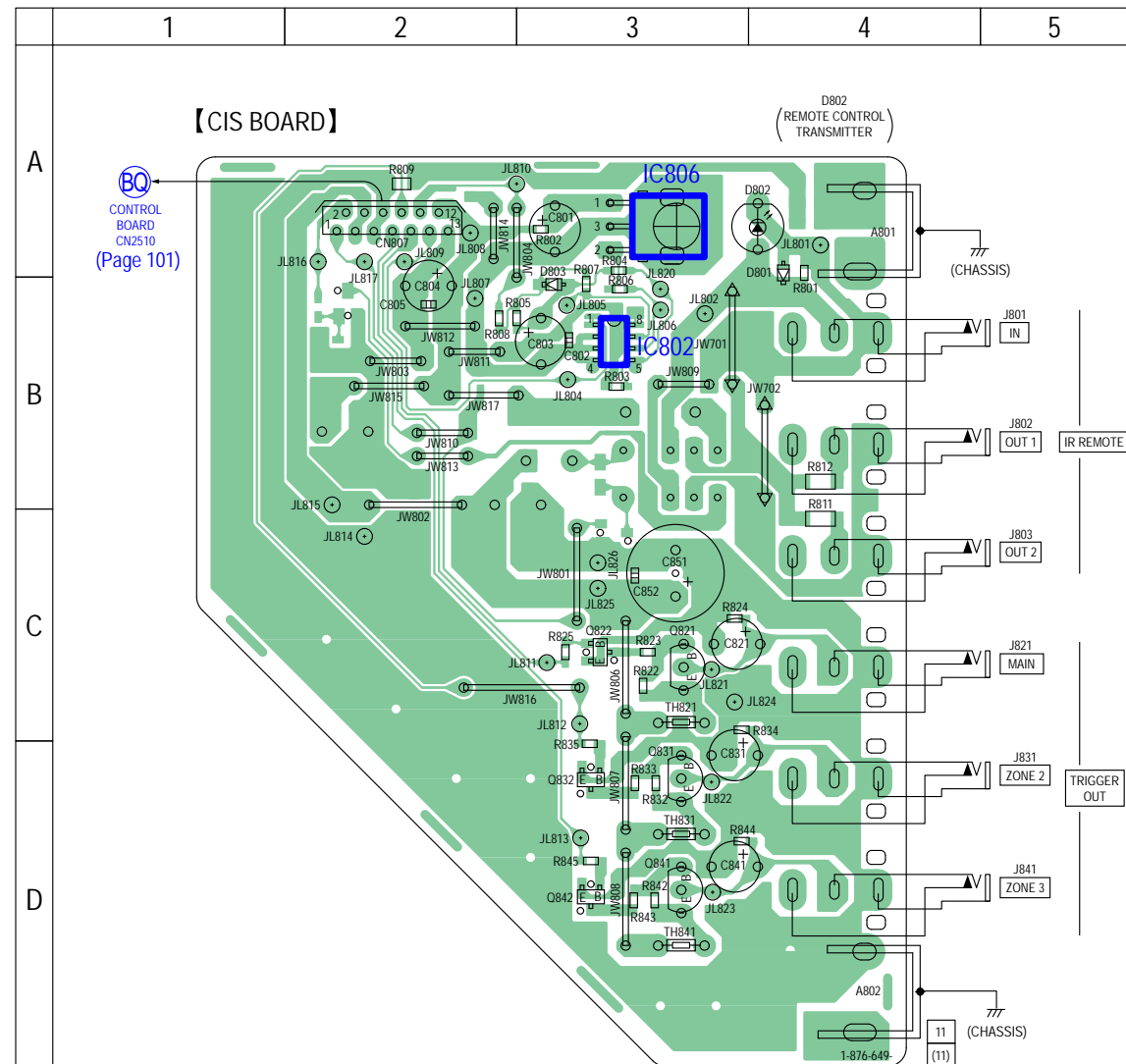
6-73. SCHEMATIC DIAGRAM - CIS Board -



CONTROL BOARD (2/2) CN2510 (Page 103)

6-74. PRINTED WIRING BOARD - CIS Board -

• See page 39 for Circuit Boards Location. •  : Uses unleaded solder.

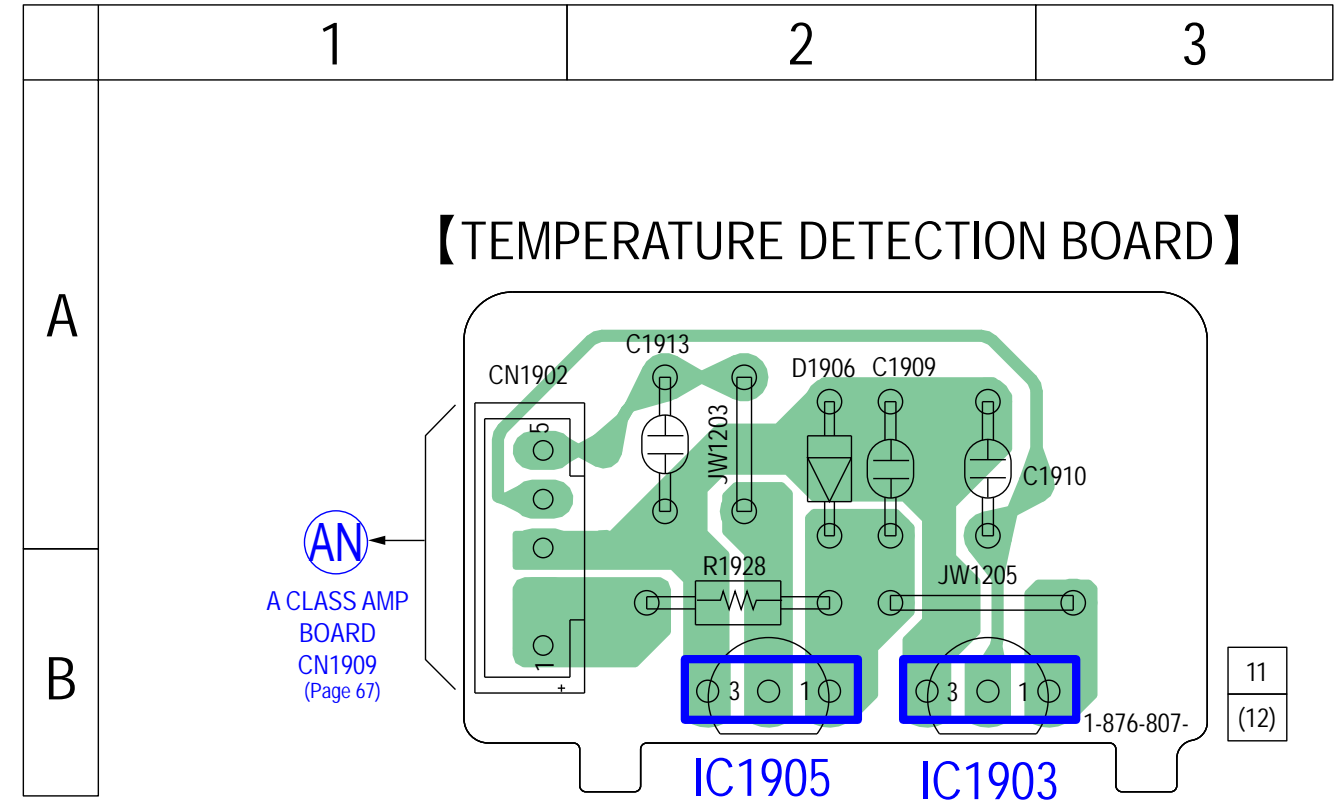


• Semiconductor Location

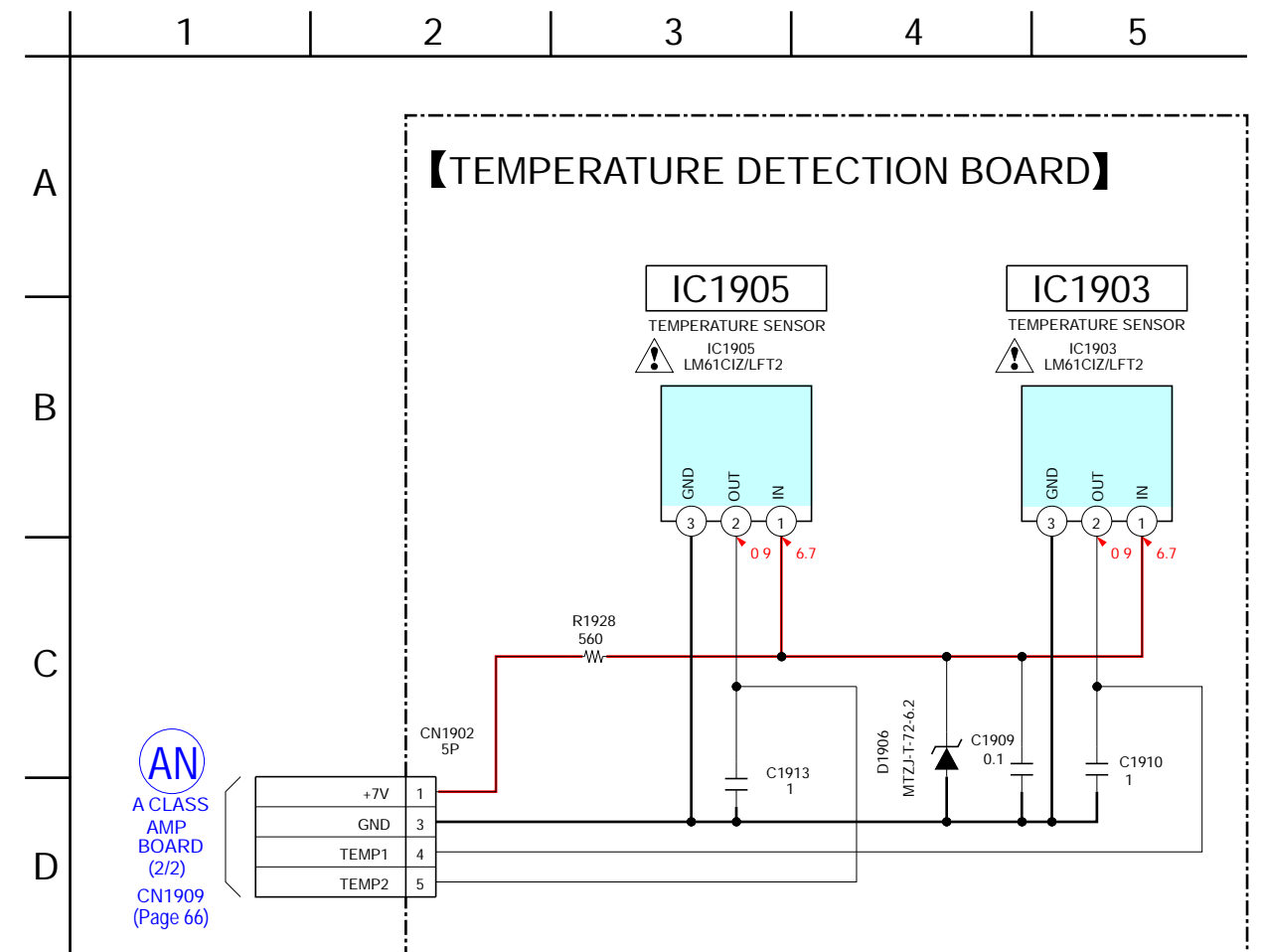
Ref. No.	Location
D801	A-4
D802	A-4
D803	B-3
IC802	B-3
IC806	A-3
Q821	C-3
Q822	C-3
Q831	D-3
Q832	D-3
Q841	D-3
Q842	D-3


6-75. PRINTED WIRING BOARD - TEMPERATURE DETECTION Board -

• See page 39 for Circuit Boards Location. •  : Uses unleaded solder.



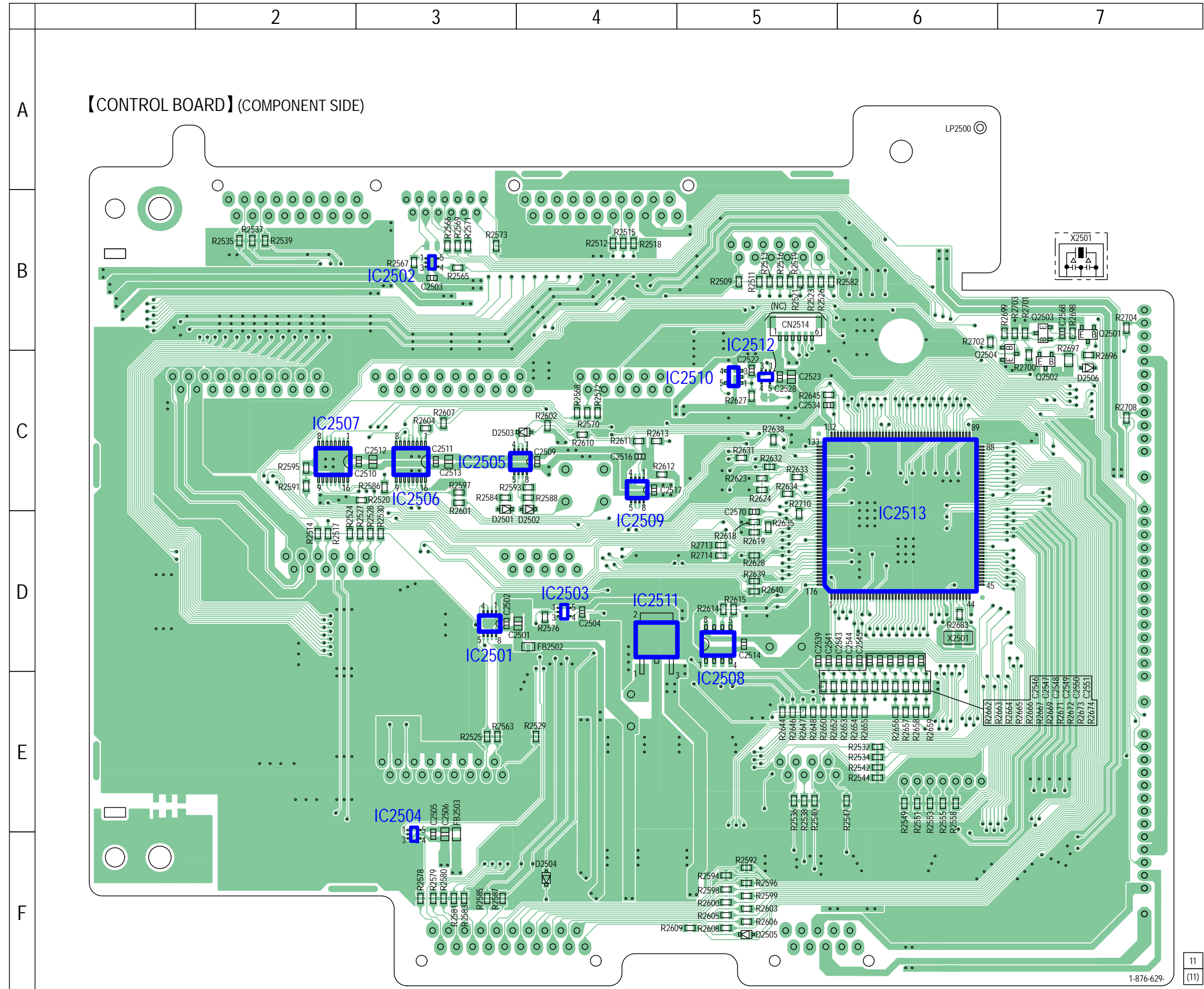
6-76. SCHEMATIC DIAGRAM - TEMPERATURE DETECTION Board -



6-77. PRINTED WIRING BOARD - CONTROL Board (Component Side) - • See page 39 for Circuit Boards Location. •  : Uses unleaded solder.

• Semiconductor Location

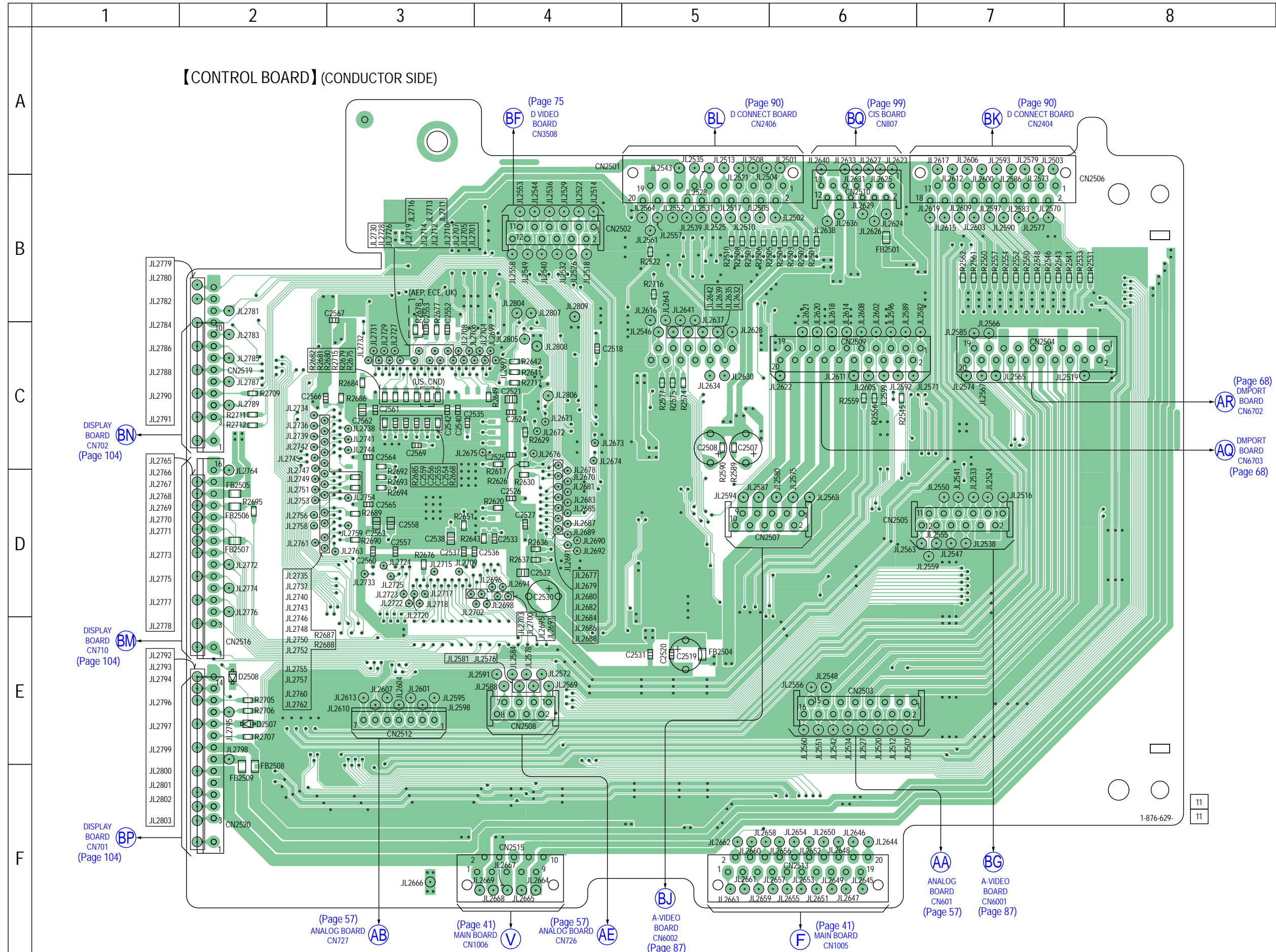
Ref. No.	Location
D2501	C-3
D2502	C-4
D2503	C-4
D2504	F-4
D2505	F-5
D2506	C-7
IC2501	D-3
IC2502	B-3
IC2503	D-4
IC2504	F-3
IC2505	C-4
IC2506	C-3
IC2507	C-2
IC2508	D-5
IC2509	C-4
IC2510	C-5
IC2511	D-4
IC2512	C-5
IC2513	D-6
Q2501	B-7
Q2502	C-7
Q2503	B-7
Q2504	C-7



6-78. PRINTED WIRING BOARD - CONTROL Board (Conductor Side) - • See page 39 for Circuit Boards Location. • **LF** : Uses unleaded solder.

• Semiconductor Location

Ref. No.	Location
D2507	E-2
D2508	E-2

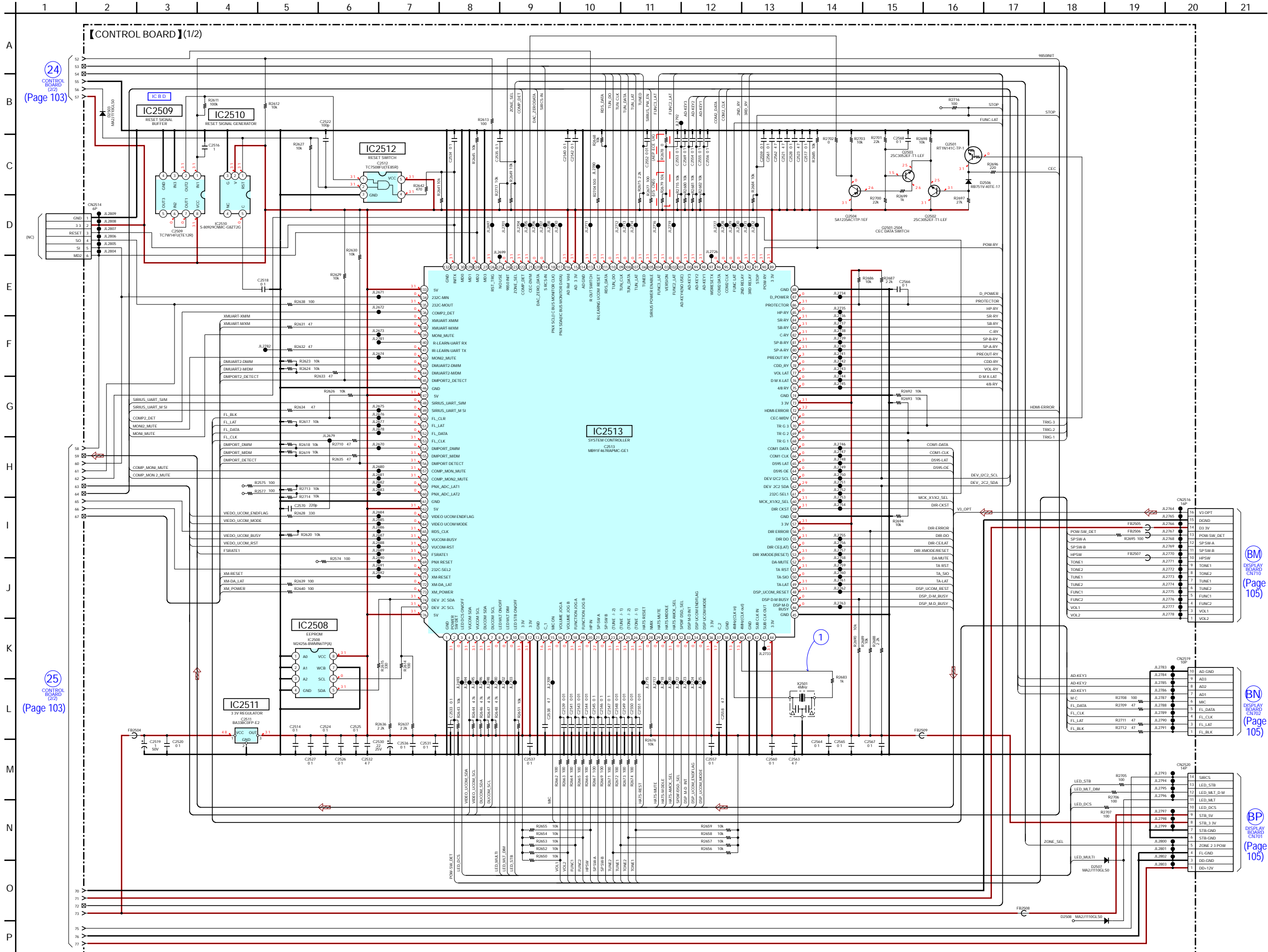


1-876-629-

11
11

6-79. SCHEMATIC DIAGRAM - CONTROL Board (1/2) -

• See page 107 for waveforms. • See page 112 for IC Block Diagrams. • See page 127 for IC Pin Function Description.

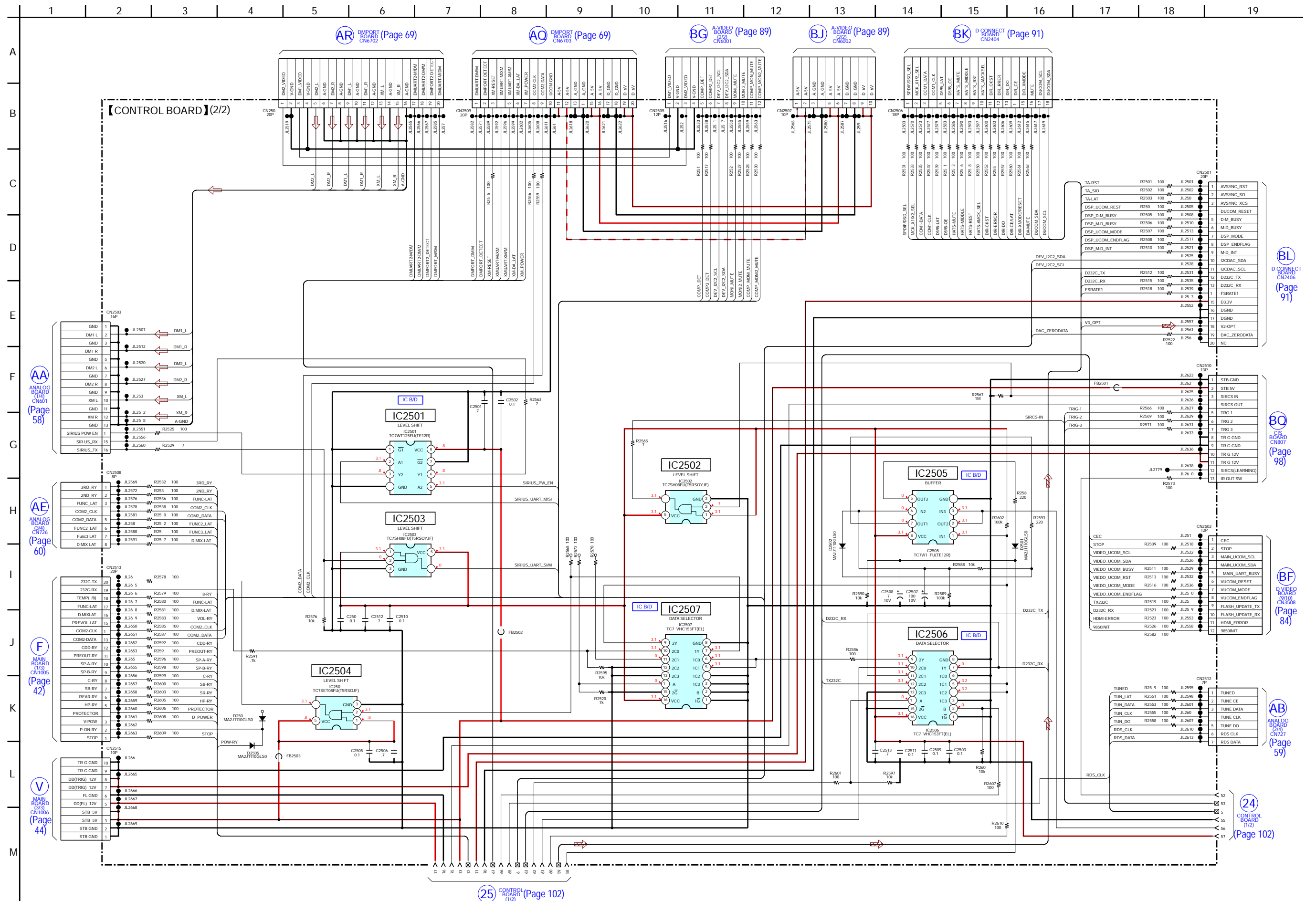


(BM) DISPLAY BOARD CN70 (Page 105)

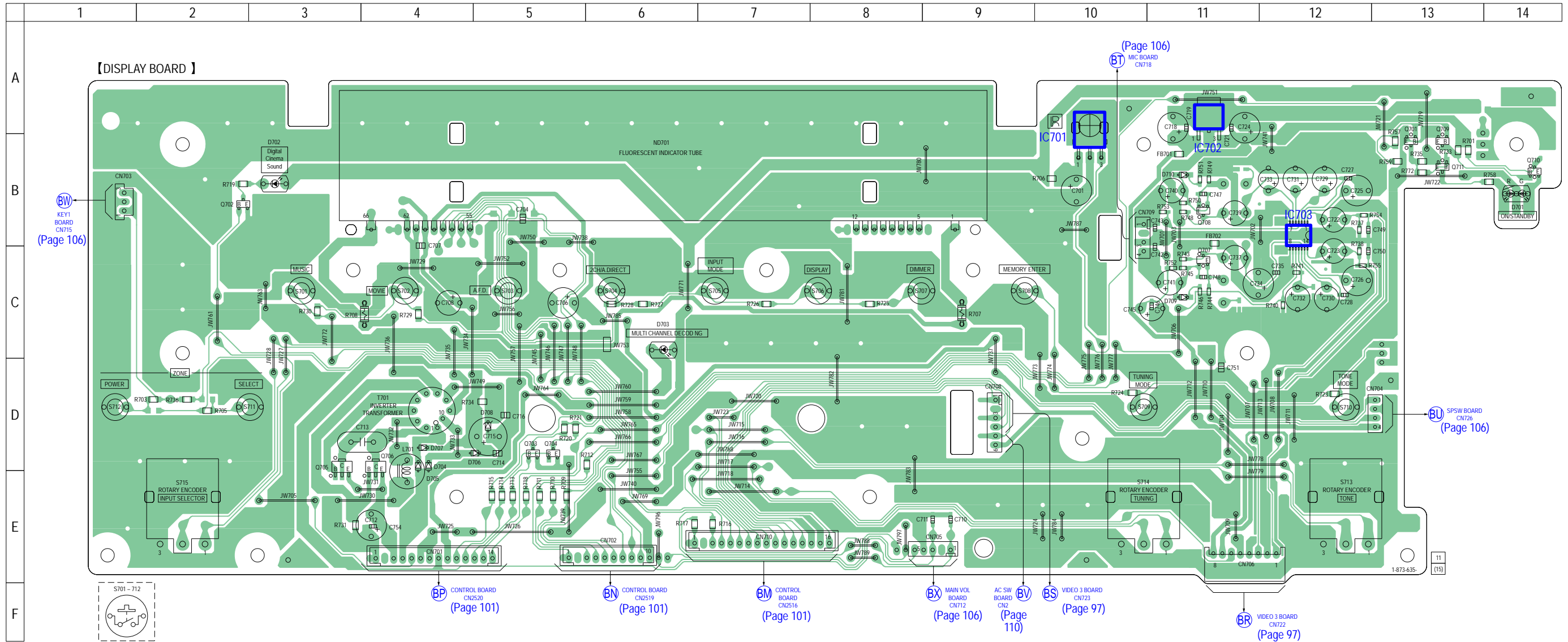
(EN) DISPLAY BOARD CN702 (Page 105)

(BP) DISPLAY BOARD CN701 (Page 105)

6-80. SCHEMATIC DIAGRAM - CONTROL Board (2/2) - See page 112 for IC Block Diagrams.



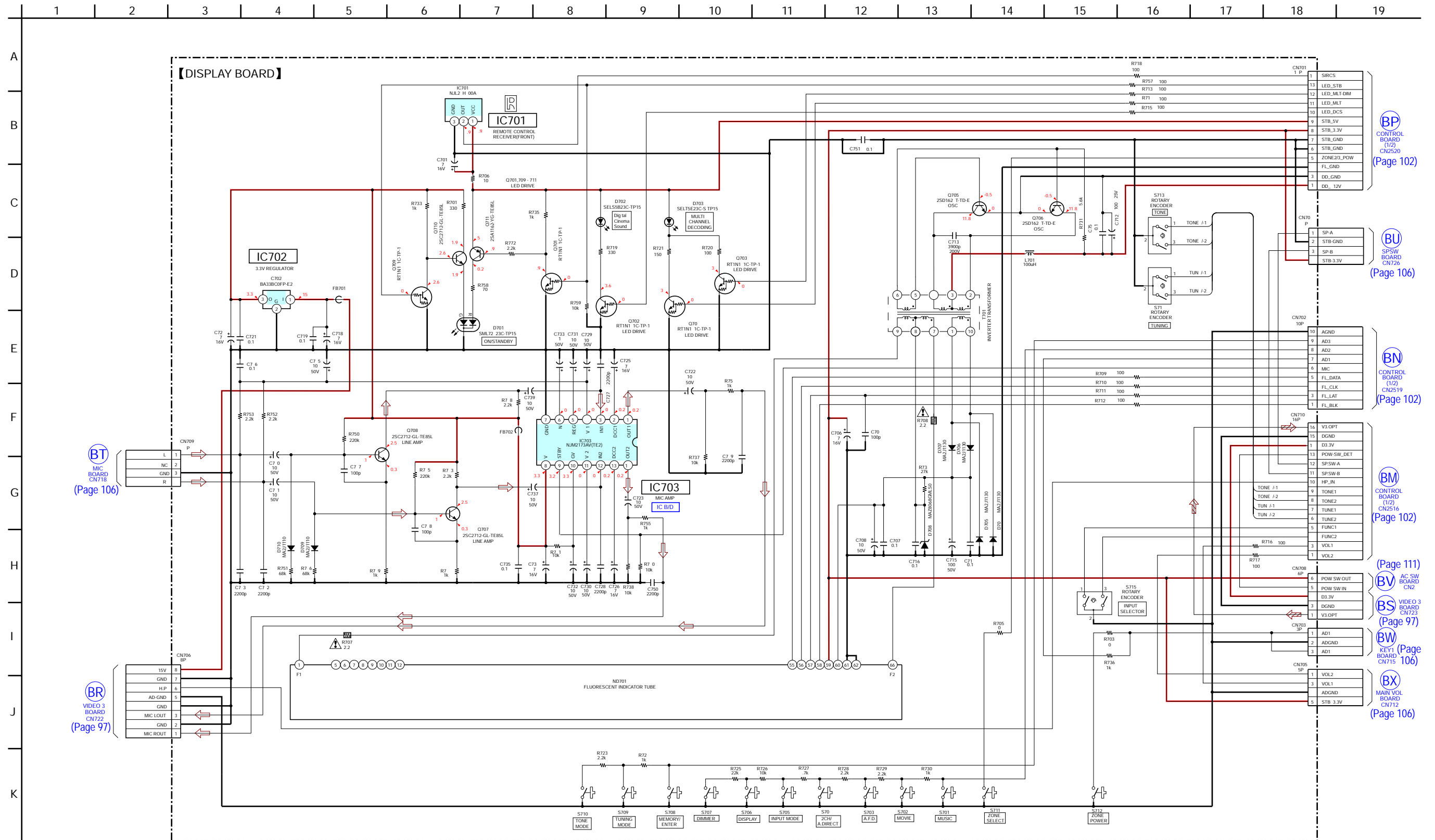
6-81. PRINTED WIRING BOARD - DISPLAY Board - • See page 39 for Circuit Boards Location. •  : Uses unleaded solder.



• Semiconductor Location

Ref. No.	Location	Ref. No.	Location
D701	B-14	IC703	B-12
D702	B-3	Q701	B-13
D703	C-6	Q702	B-2
D704	D-4	Q703	D-5
D705	D-4	Q704	D-5
D706	D-5	Q705	D-3
D707	D-4	Q706	D-4
D709	C-11	Q707	C-11
D710	B-11	Q708	B-11
		Q709	B-13
IC701	B-10	Q710	B-14
IC702	B-11	Q711	B-13

6-82. SCHEMATIC DIAGRAM - DISPLAY Board - • See page 112 for IC Block Diagrams.



BP CONTROL BOARD (1/2) CN2520 (Page 102)

BU SPSW BOARD CN726 (Page 106)

BN CONTROL BOARD (1/2) CN2519 (Page 102)

BM CONTROL BOARD (1/2) CN2516 (Page 102)

Page 111

BV AC SW BOARD CN2

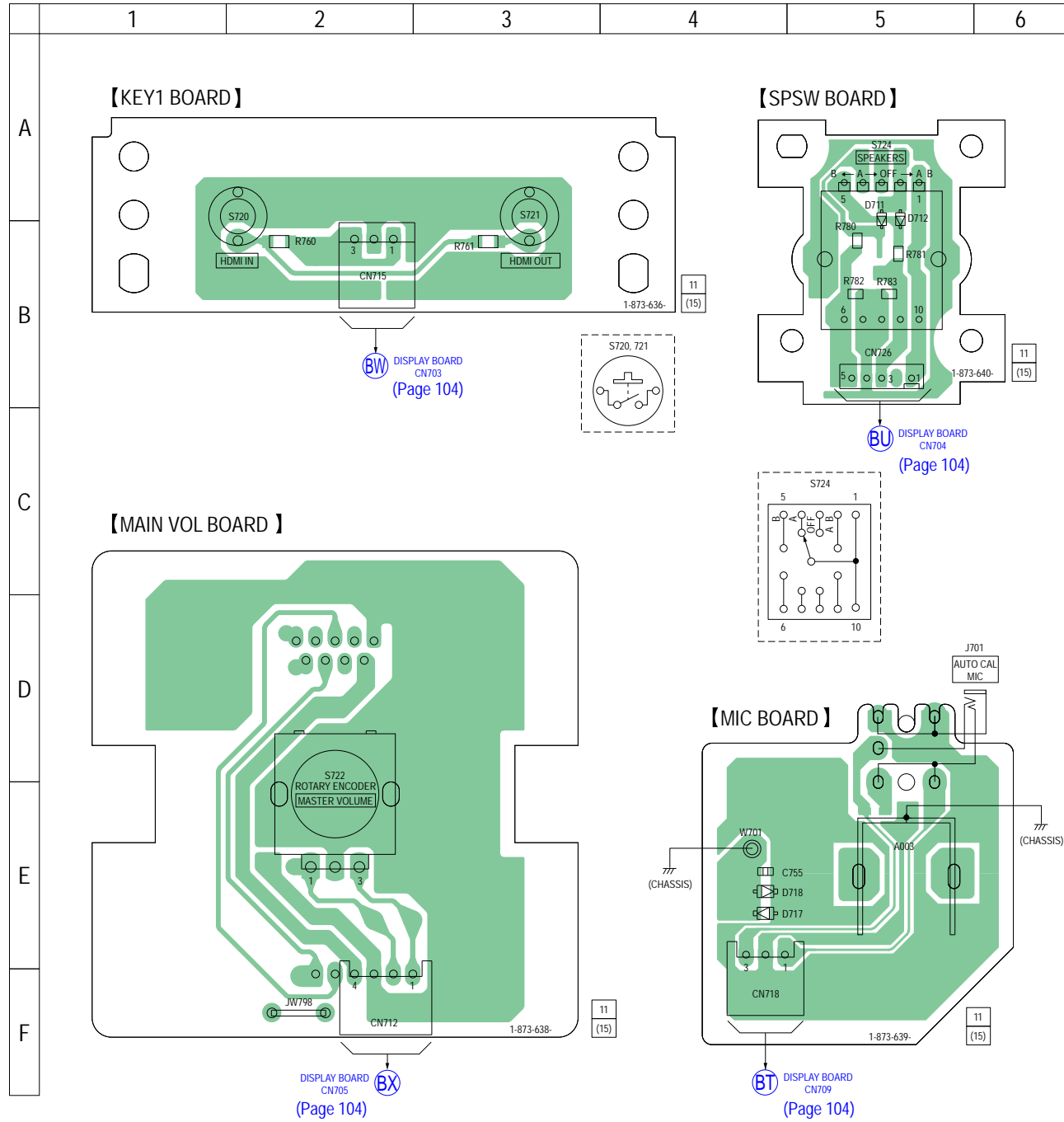
BS VIDEO 3 BOARD CN723 (Page 97)

BW KEY BOARD CN715 (Page 106)

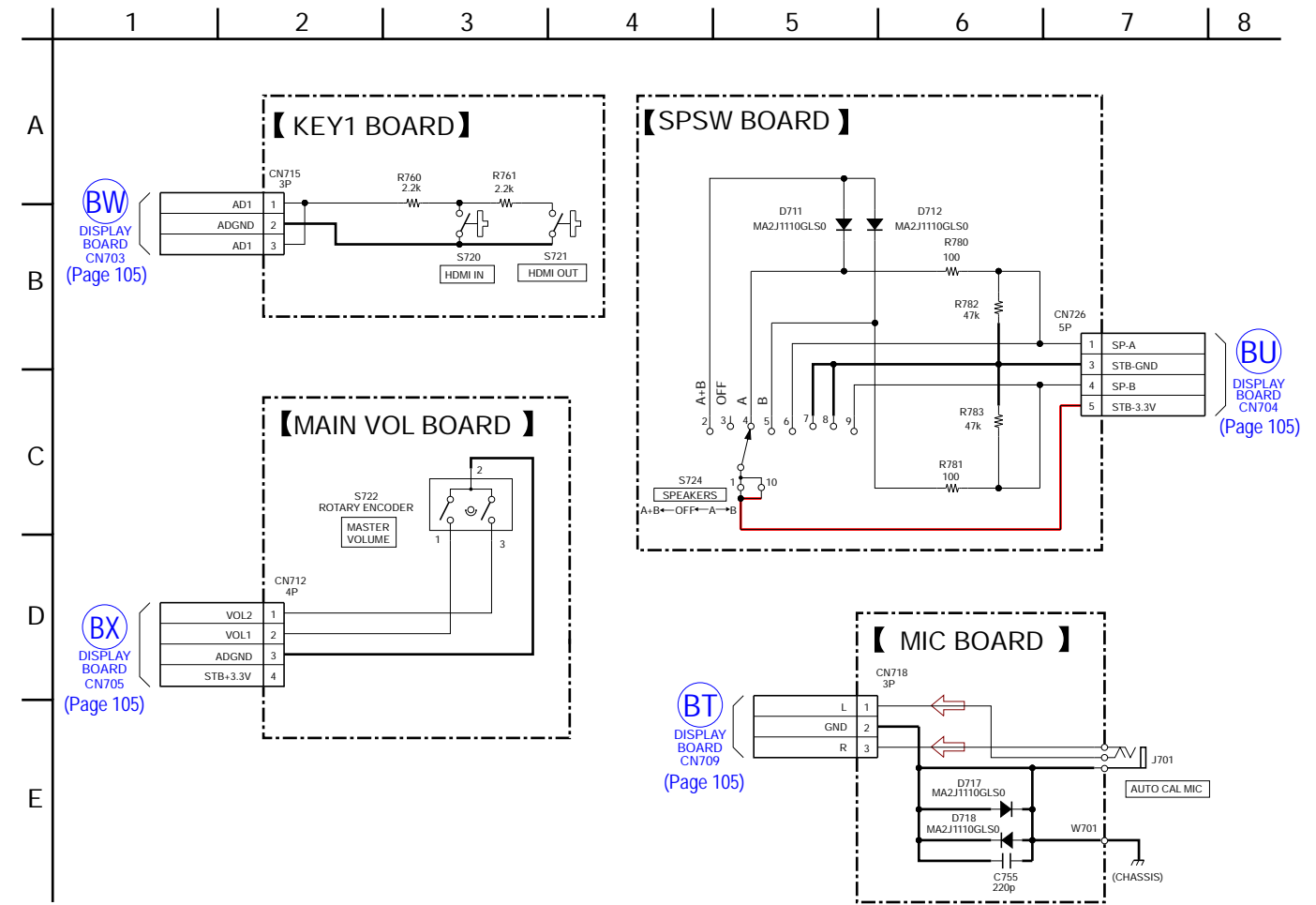
BX MAIN VOL BOARD CN712 (Page 106)

6-83. PRINTED WIRING BOARDS - PANEL Section -

• See page 39 for Circuit Boards Location. • **LF** : Uses unleaded solder.

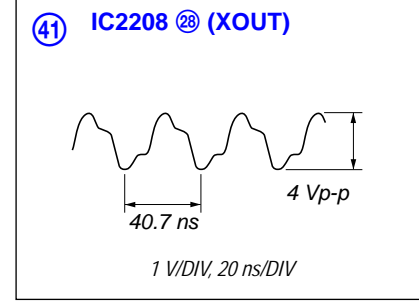


6-84. SCHEMATIC DIAGRAM - PANEL Section -

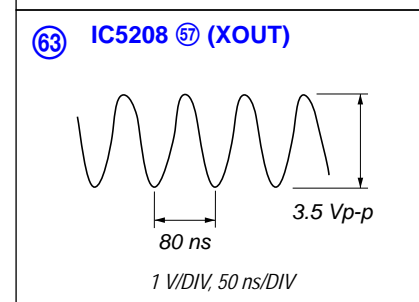
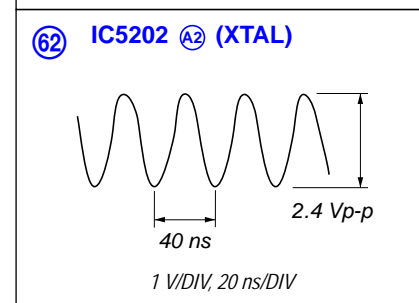
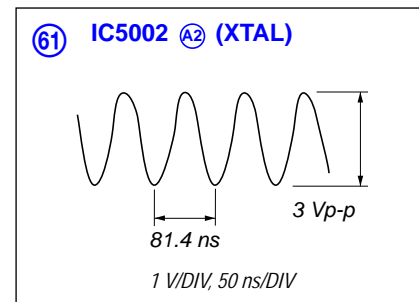


• Waveforms

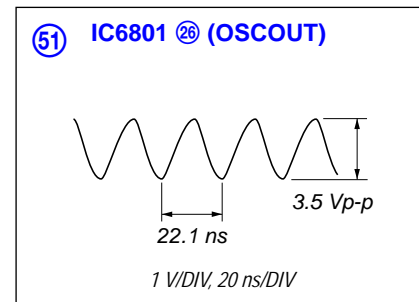
– DIGITAL Board –



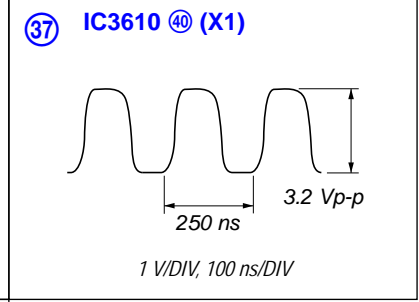
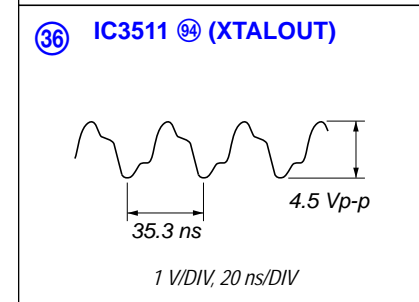
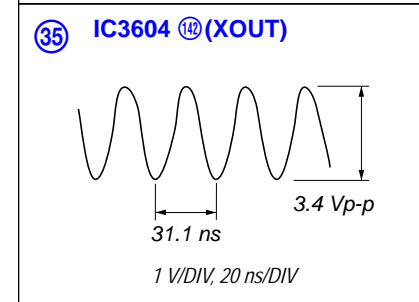
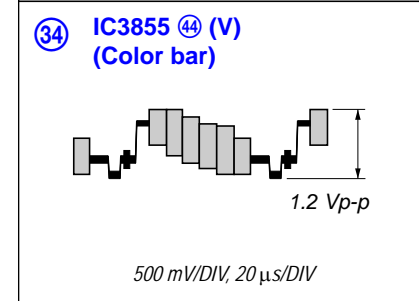
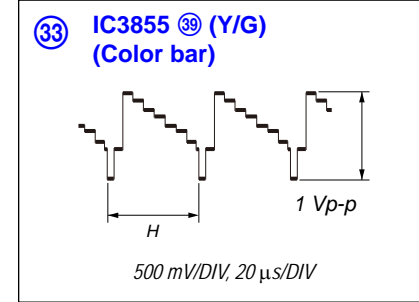
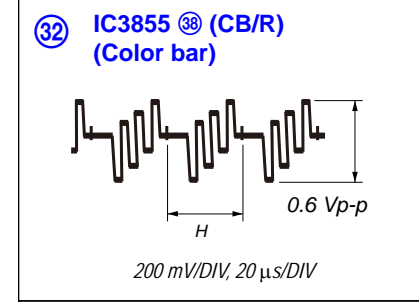
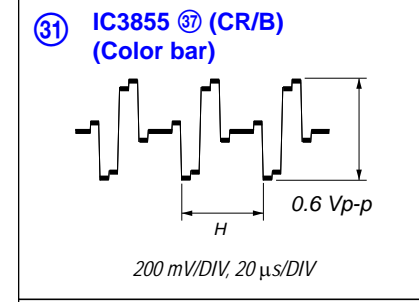
– DSP Board –



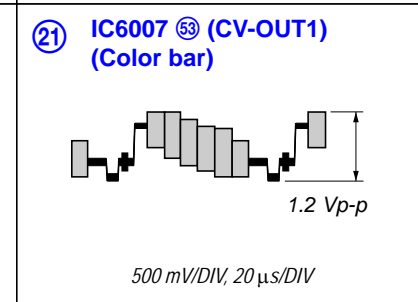
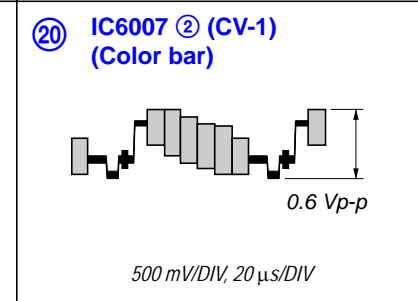
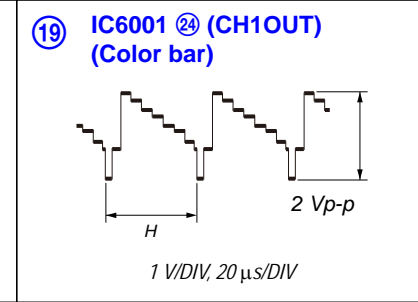
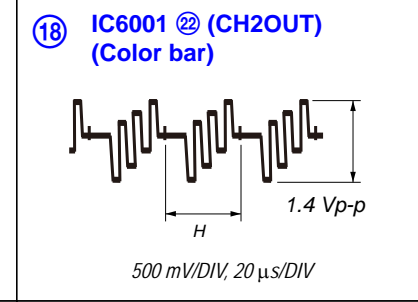
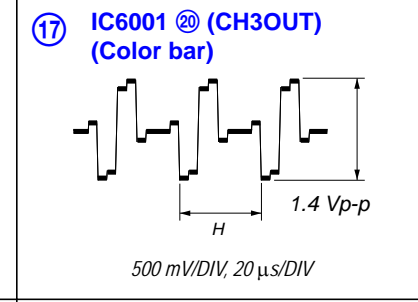
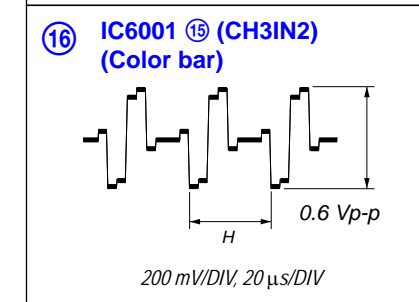
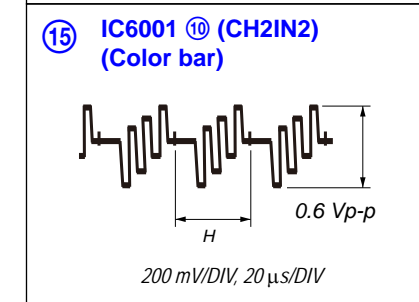
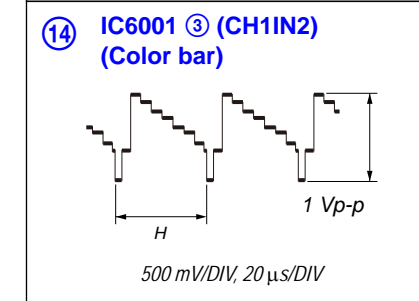
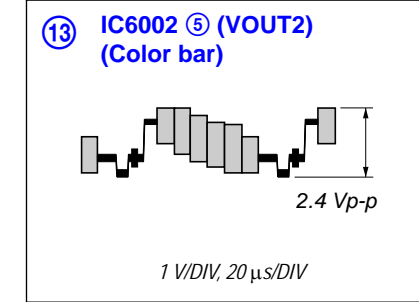
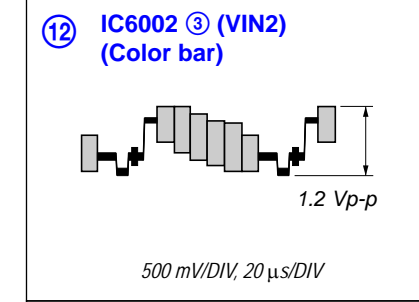
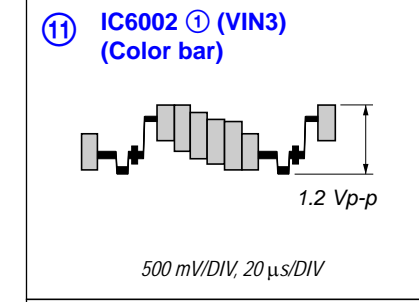
– DMPort Board –



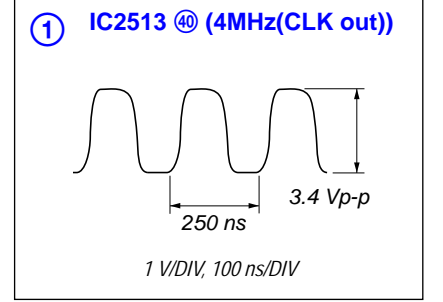
– D VIDEO Board –



– A-VIDEO Board –



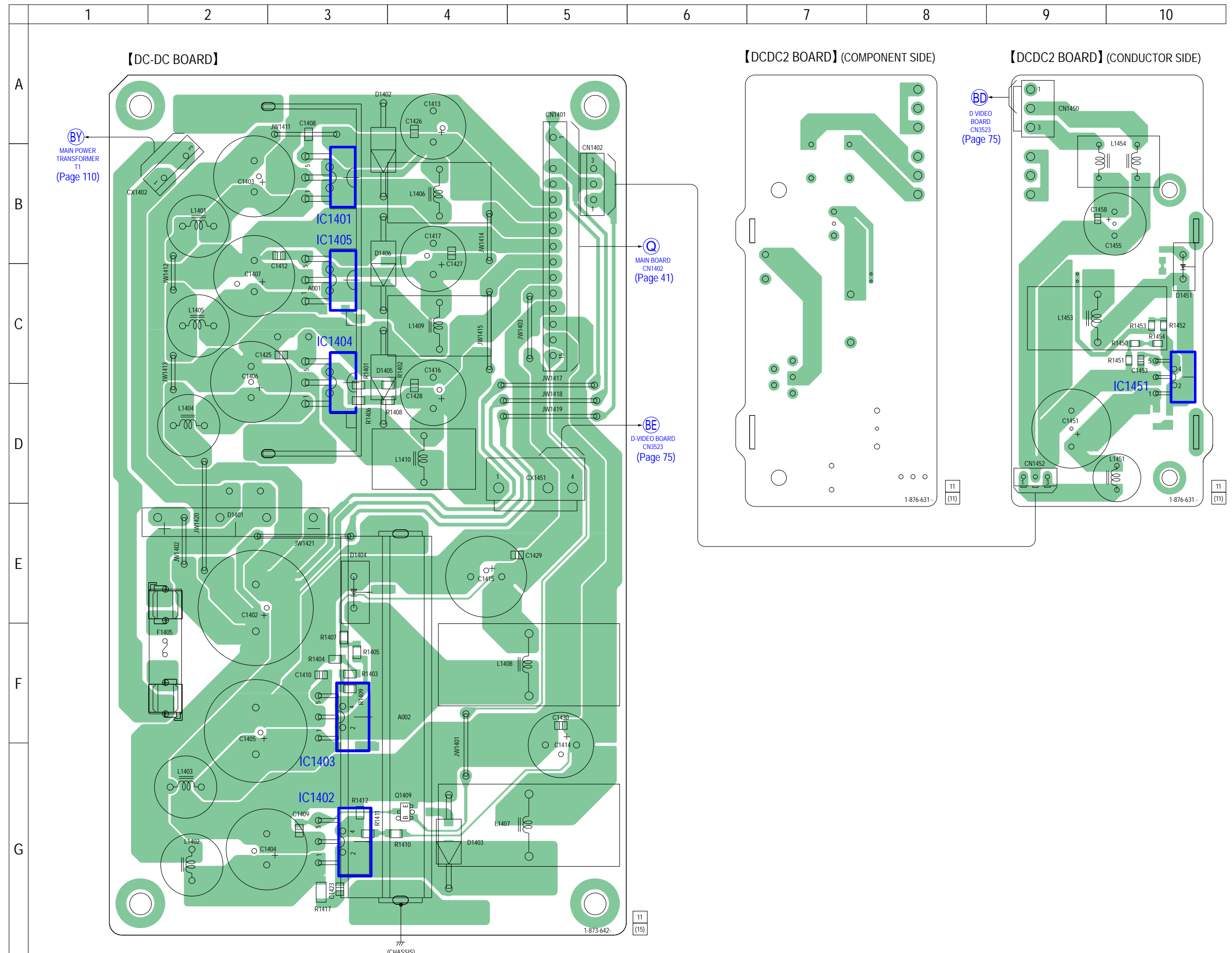
– CONTROL Board –



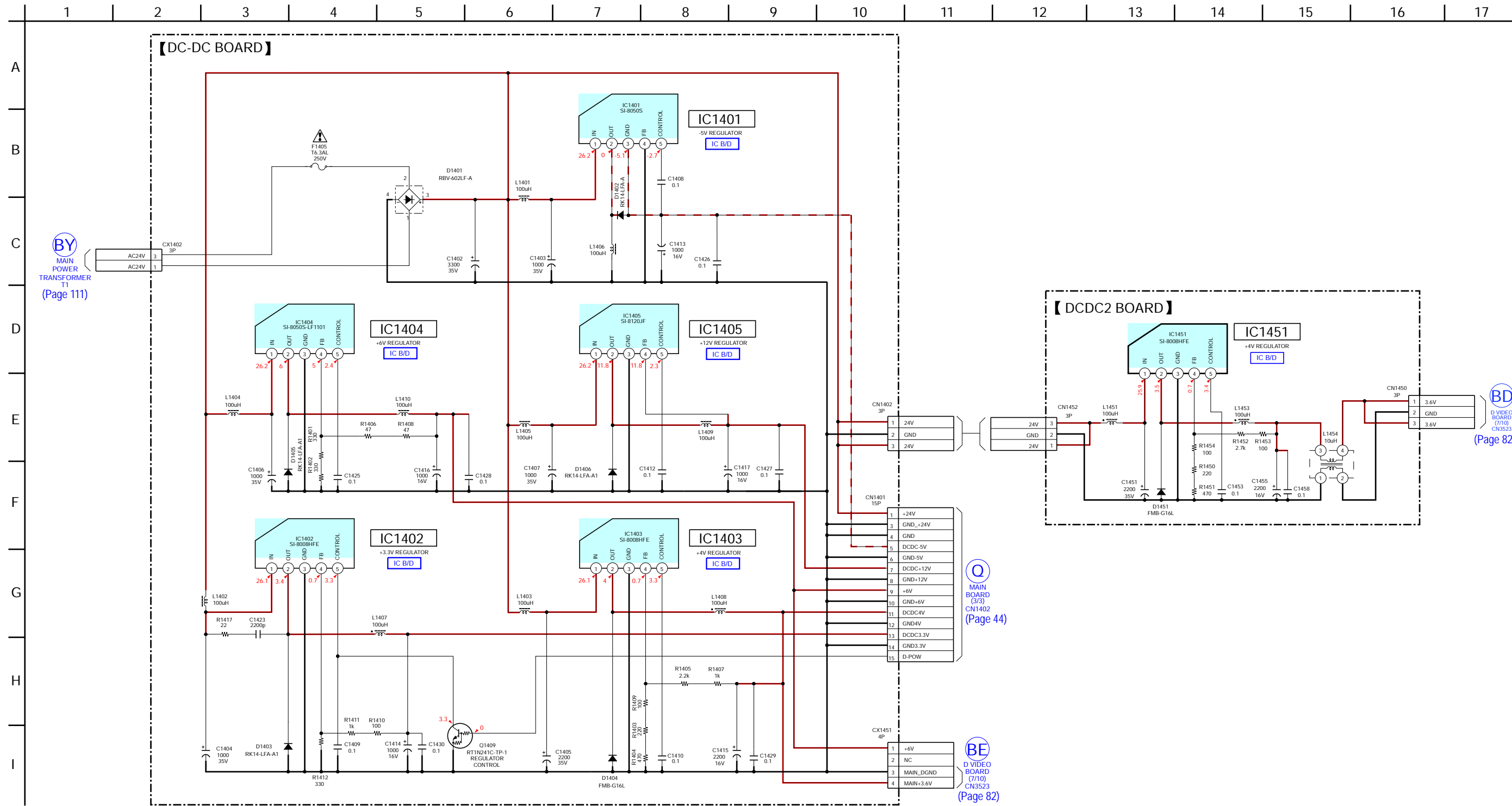
6-85. PRINTED WIRING BOARDS - DCDC Section - • See page 39 for Circuit Boards Location. •  : Uses unleaded solder.

• Semiconductor Location

Ref. No.	Location
D1401	E-2
D1402	B-3
D1403	G-4
D1404	E-3
D1405	C-3
D1406	B-3
D1451	C-10
IC1401	B-3
IC1402	G-3
IC1403	F-3
IC1404	C-3
IC1405	C-3
IC1451	C-10
Q1409	G-4



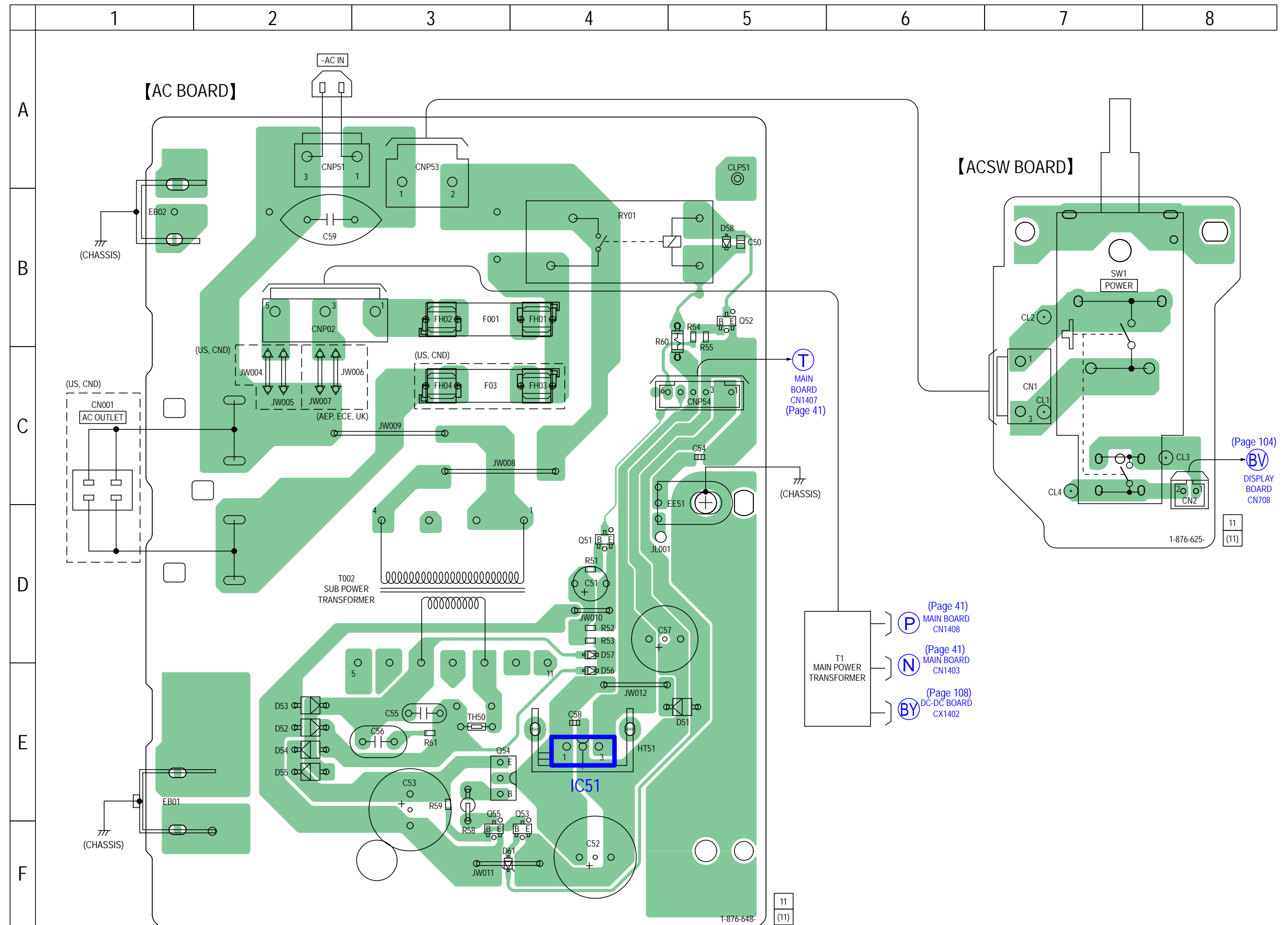
6-86. SCHEMATIC DIAGRAM - DCDC Section - See page 112 for IC Block Diagrams.



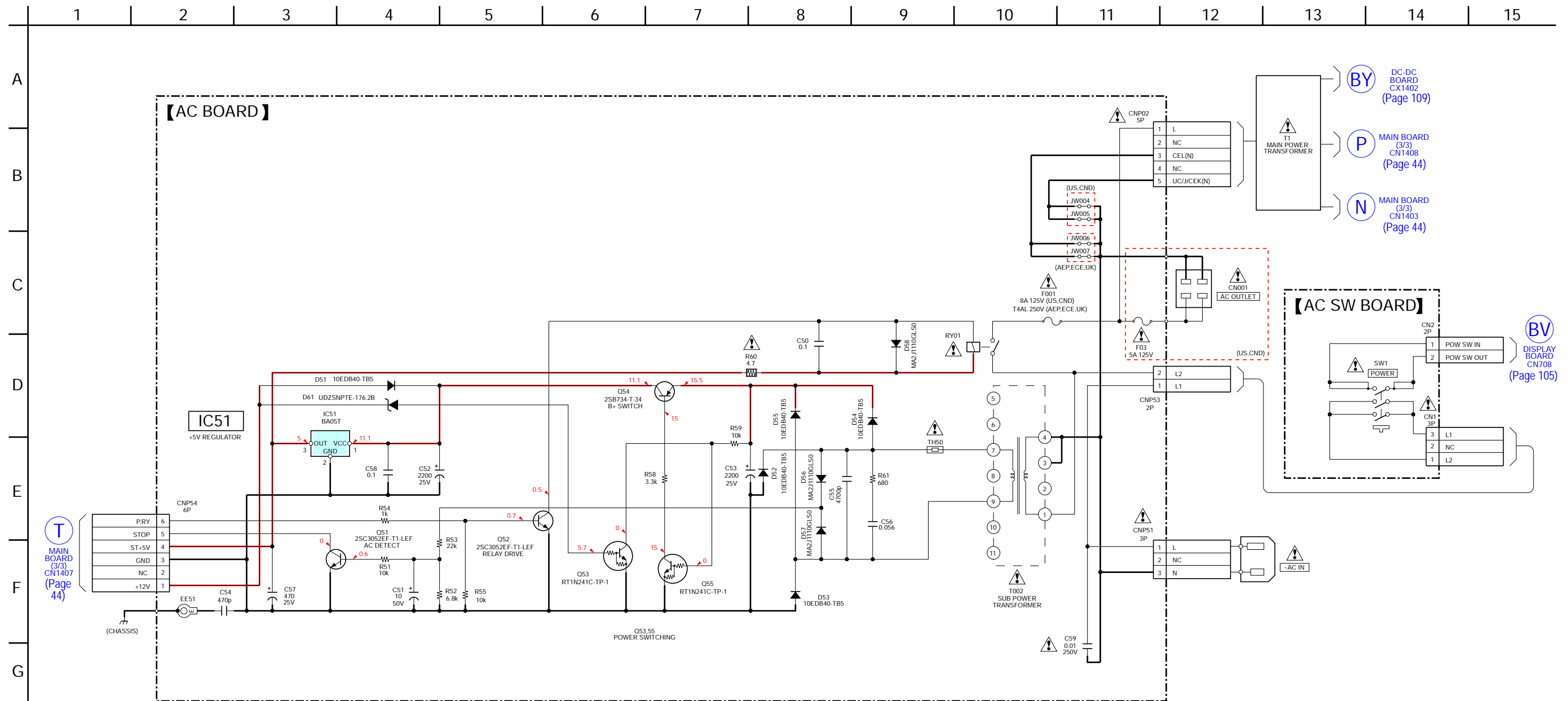
6-87. PRINTED WIRING BOARDS - POWER SUPPLY Section - • See page 39 for Circuit Boards Location. •  : Uses unleaded solder.

• Semiconductor Location

Ref. No.	Location
D51	E-5
D52	E-2
D53	E-2
D54	E-2
D55	E-2
D56	E-4
D57	D-4
D58	B-5
D61	F-3
IC51	E-4
Q51	D-4
Q52	B-5
Q53	F-4
Q54	E-3
Q55	F-3

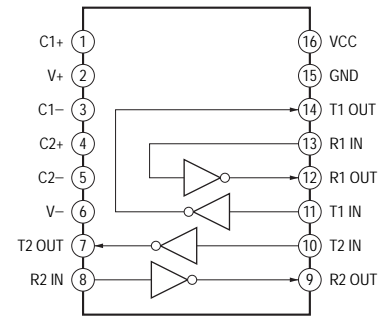


6-88. SCHEMATIC DIAGRAM - POWER SUPPLY Section -

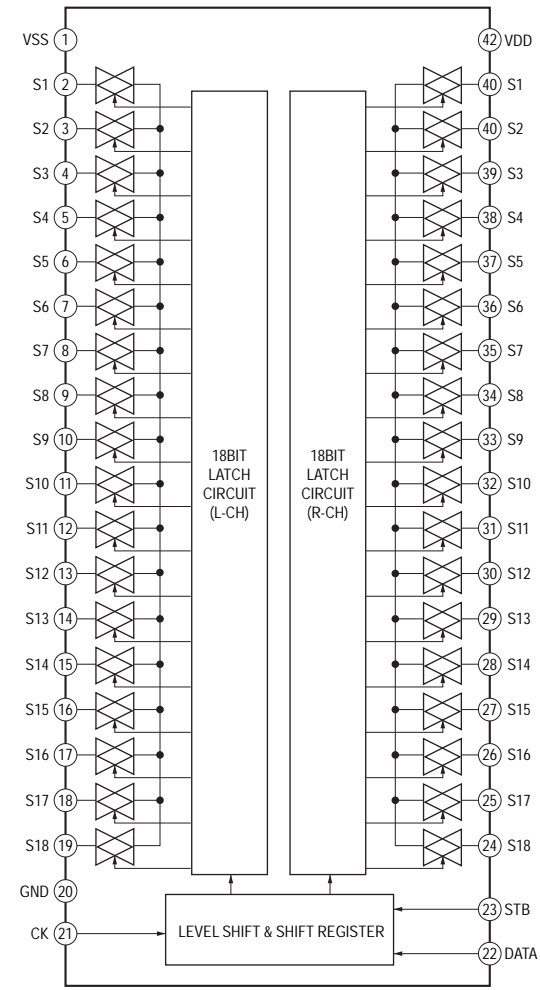


• IC Block Diagrams

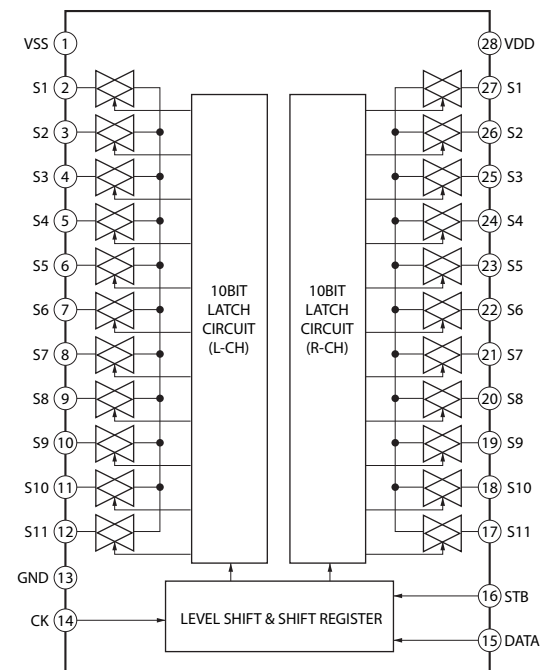
– MAIN Board –
IC1499 MAX232DR



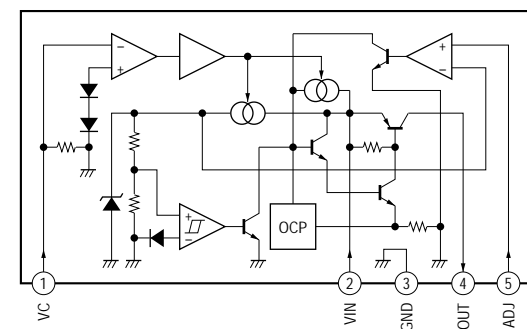
IC2090 TC9274CNG-016



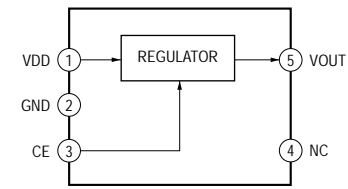
IC2390 TC9273CFG-012 (EL)



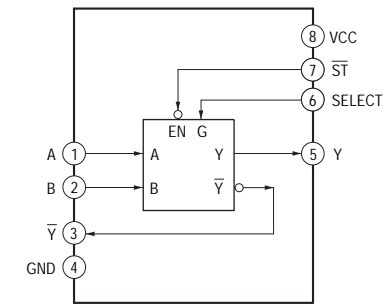
IC2494 SI-3011ZD-TL



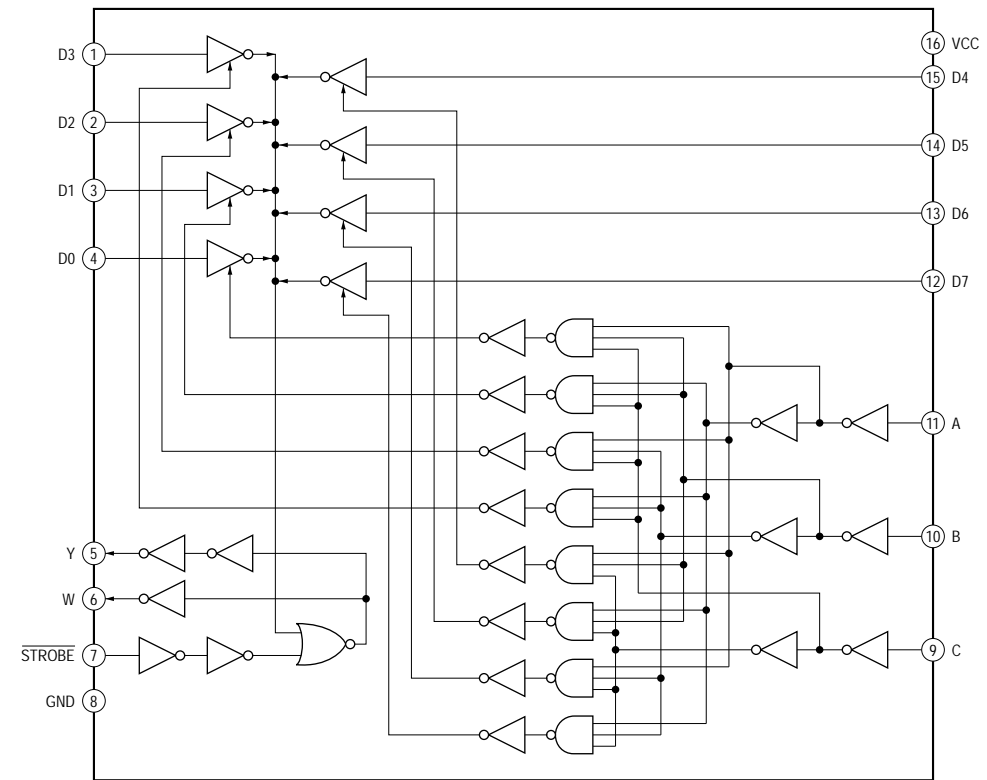
– DIGITAL Board –
IC2001 MM3291CNRE



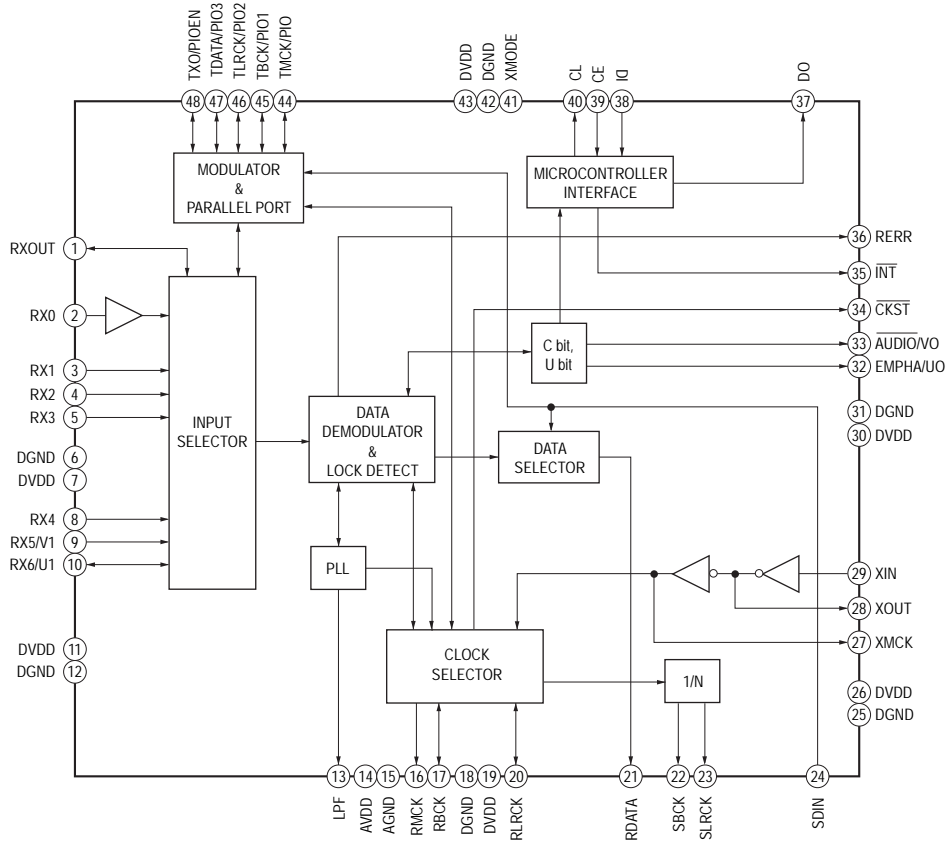
IC2005 TC7WH157FU (TE12R)



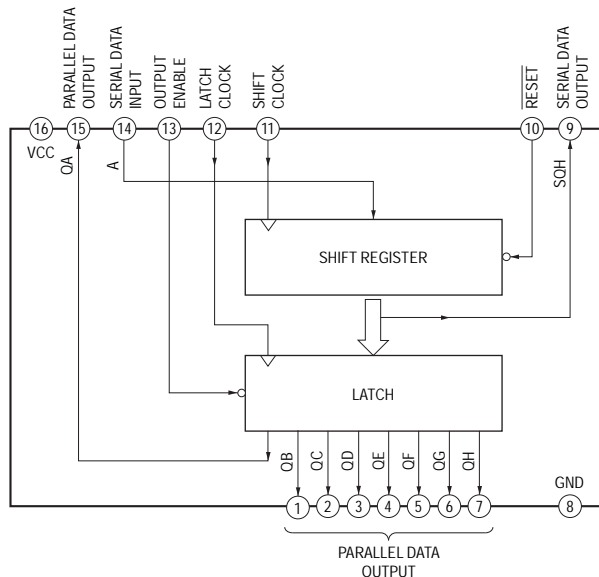
IC2207 TC74ACT151F (EL)



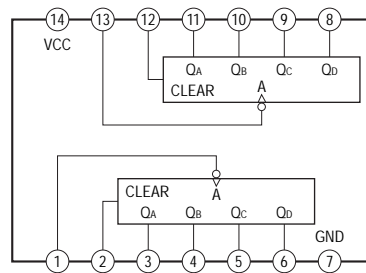
IC2208 LC89057W-VF4A-E



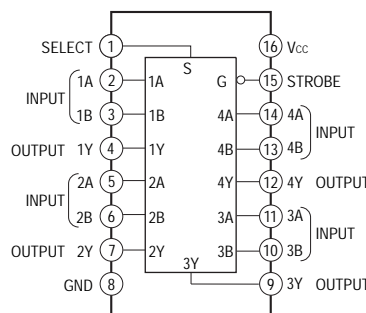
IC2210 TC74VHC595FT (EL)



IC2211 TC74VHC393FT (EL)

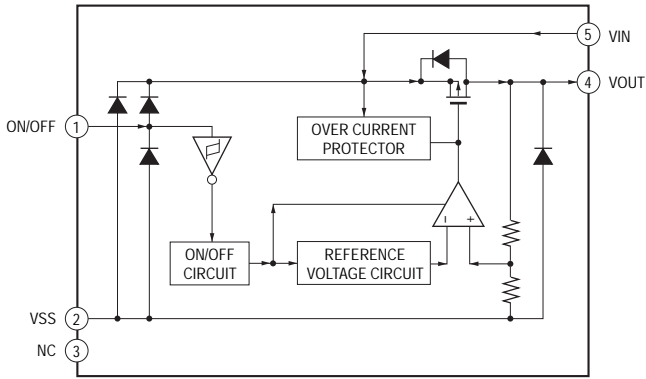


IC2212 - 2214, 2228 TC74VHC157FT (EKJ)

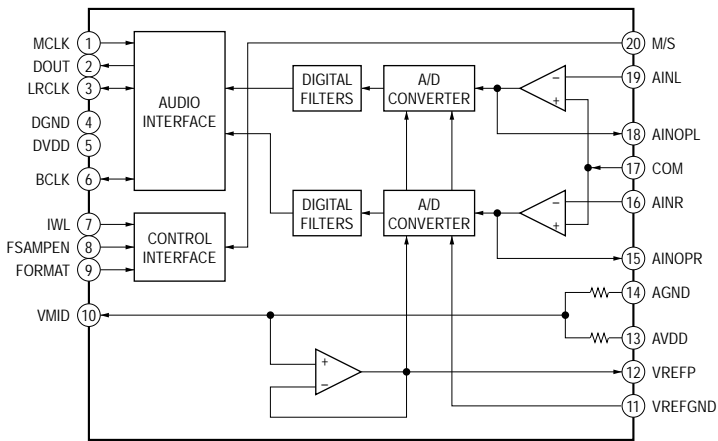


STR-DA5400ES

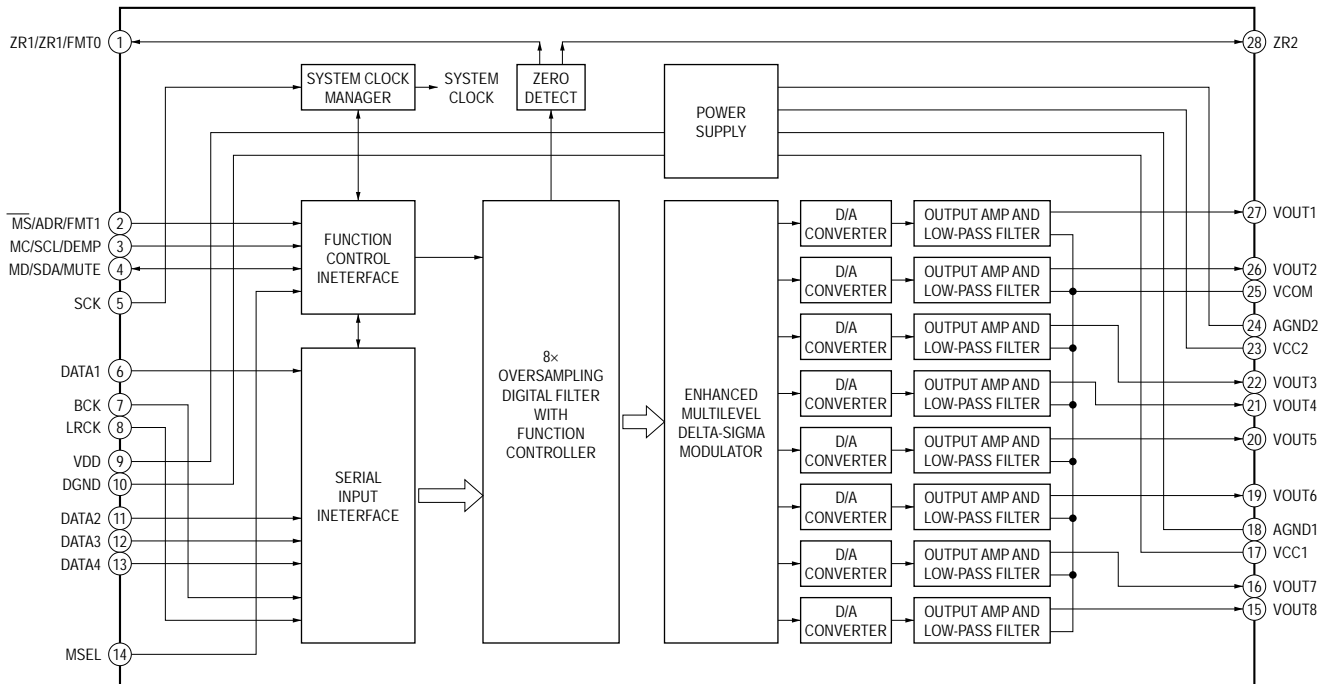
IC2215 S-T111B33MC-OGSTFG



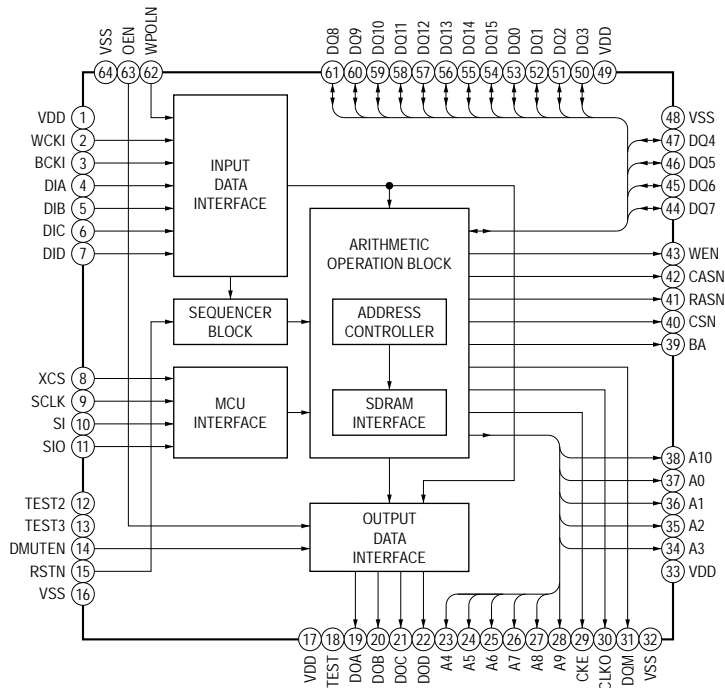
IC2217 WM8782SEDS/R



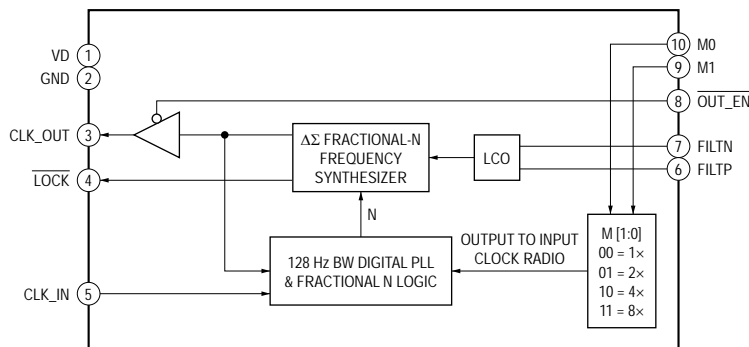
IC2218 PCM1681PWR



IC2223 SM5921AF-G

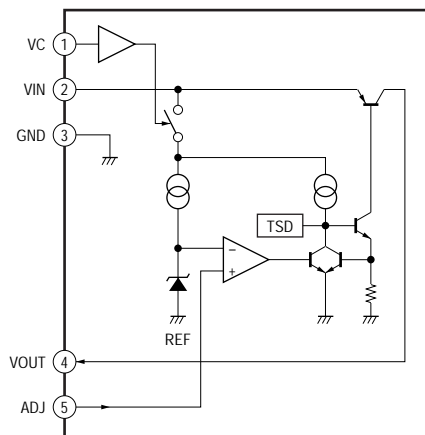


IC2226 CS2300002-CZZR



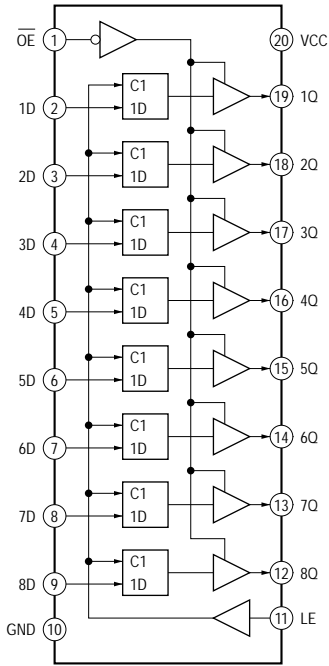
- DSP Board -

IC5001, 5201 SI-3010KM-TL

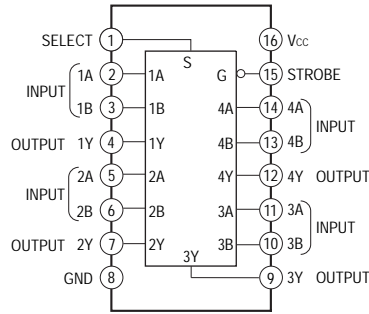


STR-DA5400ES

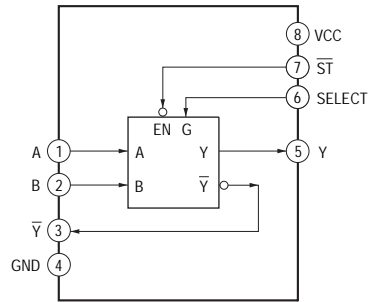
IC5009, 5010, 5209, 5210 SN74LVC573APWR



IC5013 TC74VHC157FT (EKJ)

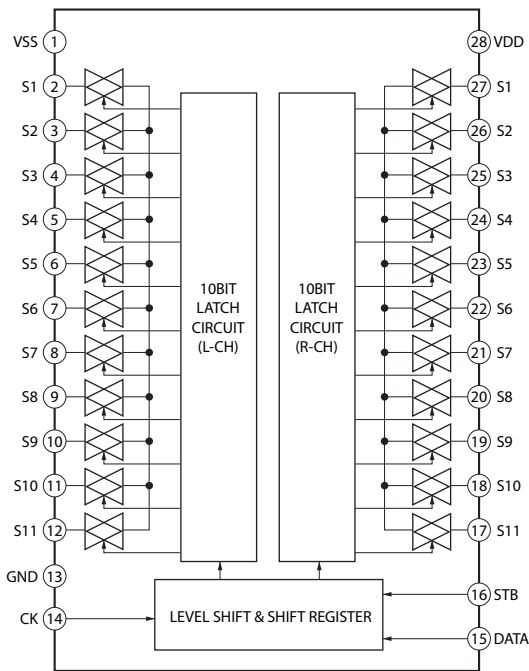


IC5212 TC7WH157FK (TE85R)



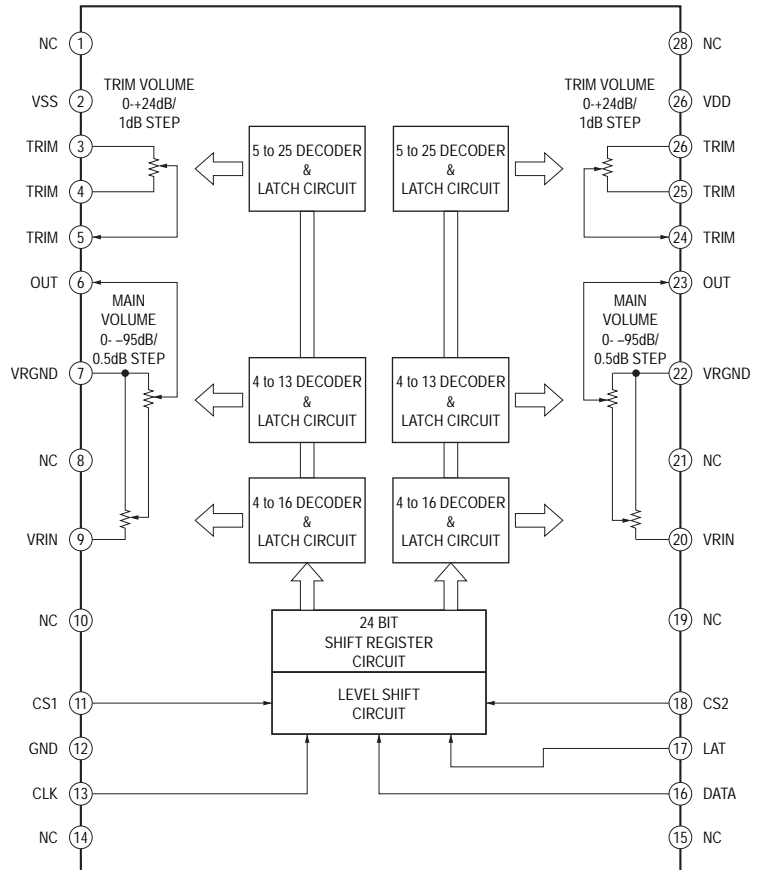
- ANALOG Board -

IC391, 401, 411, 421 TC9273CFG-013
IC392, 402, 412, 422 TC9273CFG-004

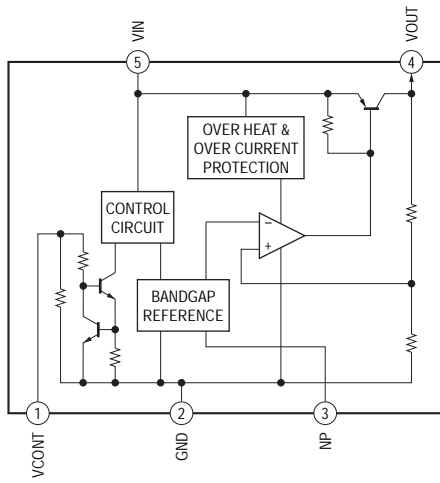


- E-VOL Board -

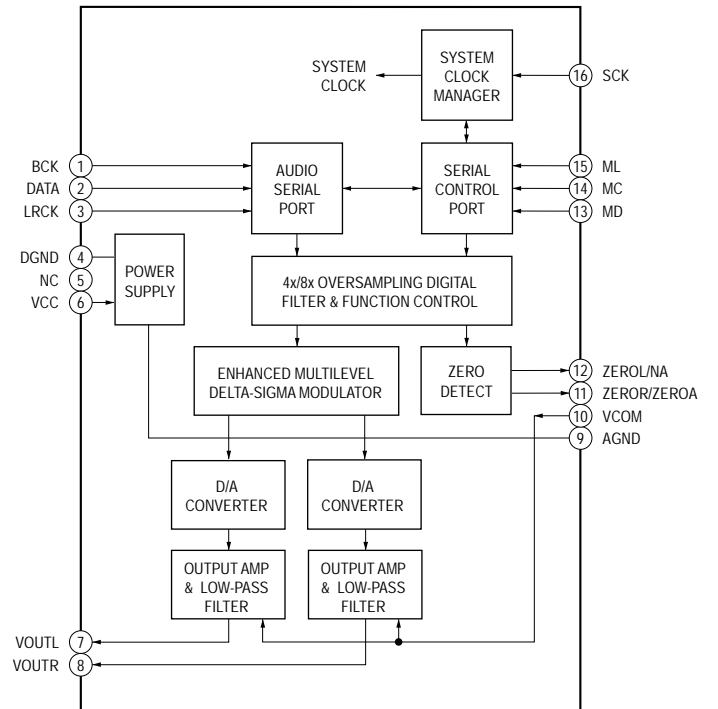
IC1203, 1213, 1223, 1233 CXD9725M-HFL



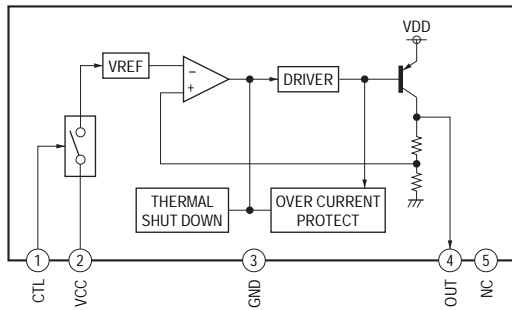
- DMPORT Board -
IC6802 TK11133CSCL-G
IC6805 TK11150CSCL-G



IC6803 PCM1753DBQR



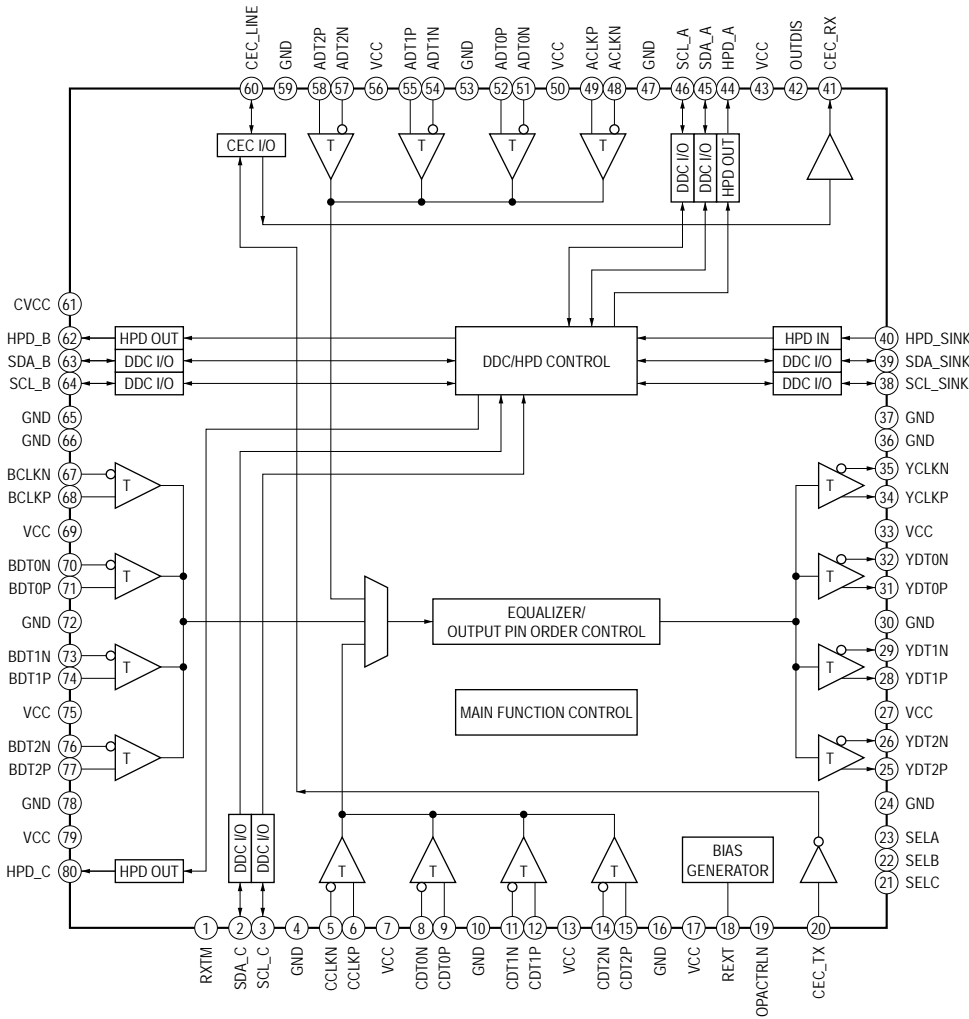
IC6804 BA00BC0WFP-E2



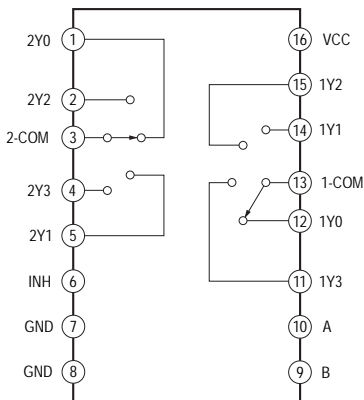
STR-DA5400ES

- D VIDEO Board -

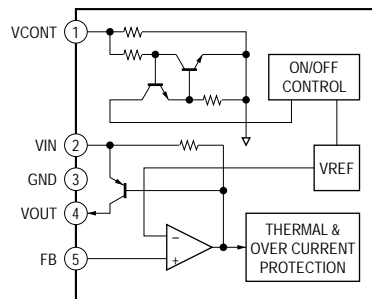
IC3503, 3504 CXB1444R-T6



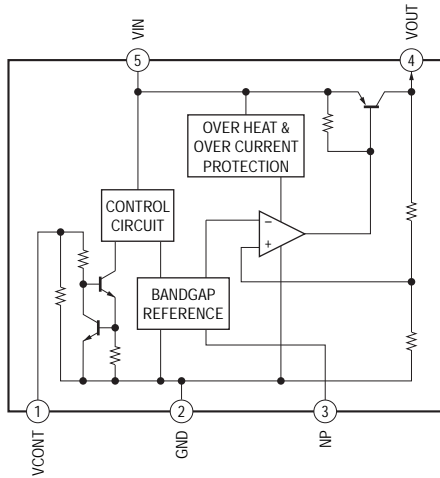
IC3508, 3526 SN74LV4052APWR



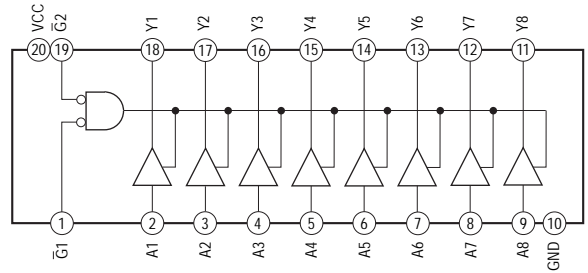
IC3515, 3517, 3605, 3612, 3617 TK73400AU3G0L-C



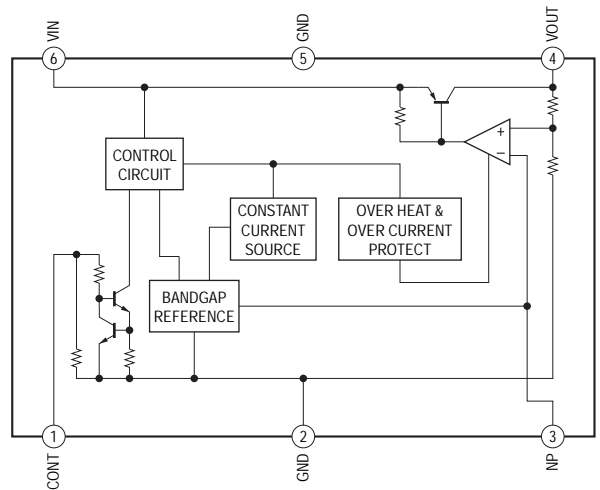
IC3516, 3520 TK11150CSCL-G
 IC3608, 3613 TK11118CSCL-G
 IC3614, 3616, 3626, 3629, 3860 TK11133CSCL-G
 IC3852 TK11125CSCL-G



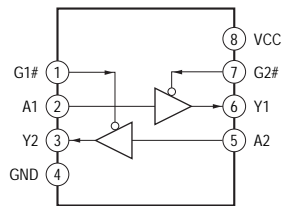
IC3524 TC74VHC541FT(EL)



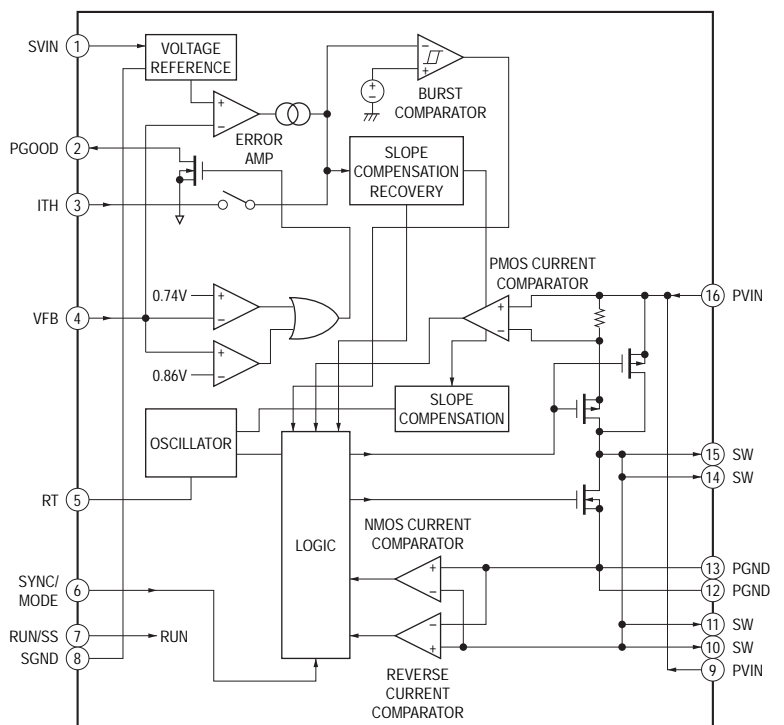
IC3622, 3625 TK11233CMCL-G
 IC3851, 3856 TK11225CMCL-G



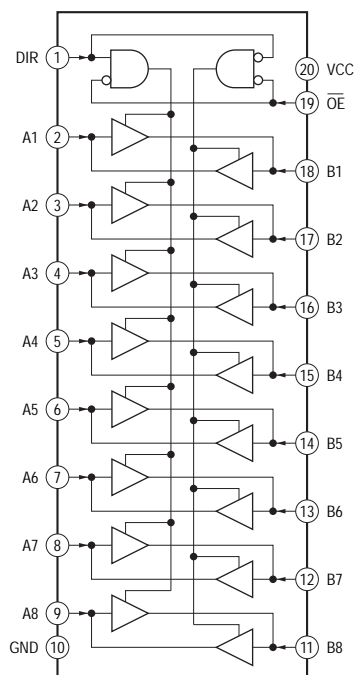
IC3525 TC7WT125FU (TE12R)



IC3623 LTC3412EFE#TR

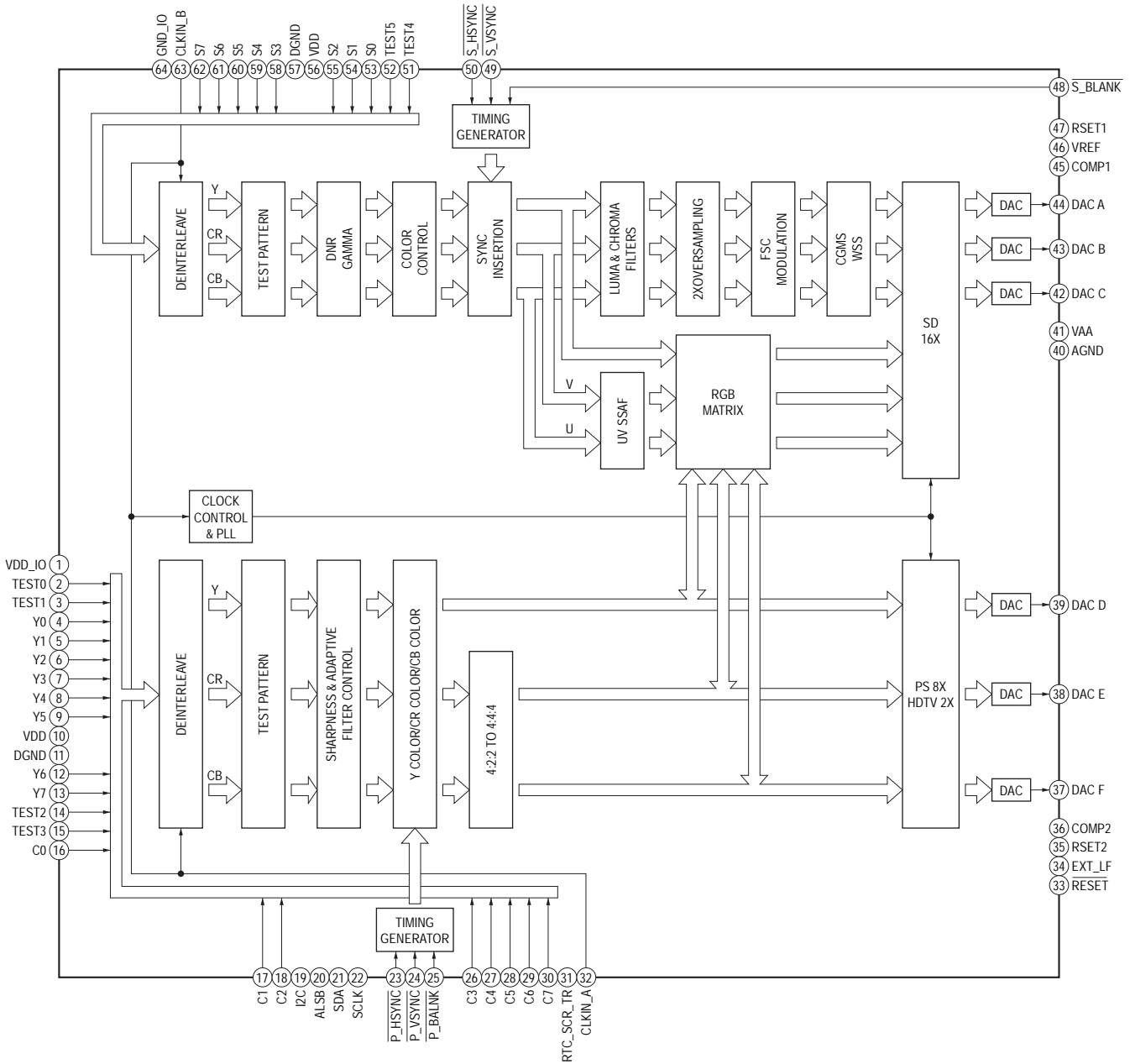


IC3619, 3620 TC74LCX245FK (EL)

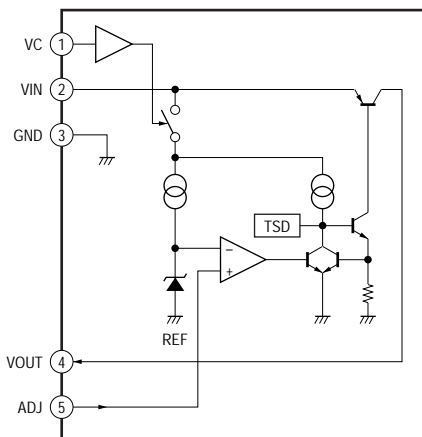


STR-DA5400ES

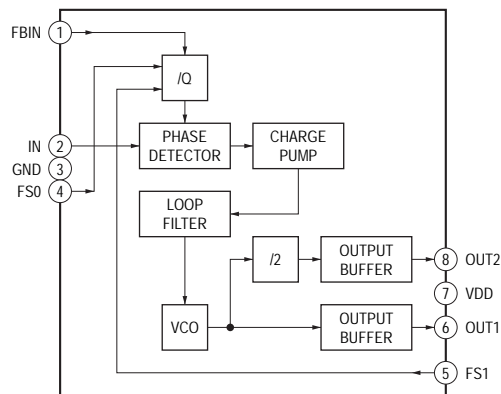
IC3850, 3855 ADV7322KSTZ



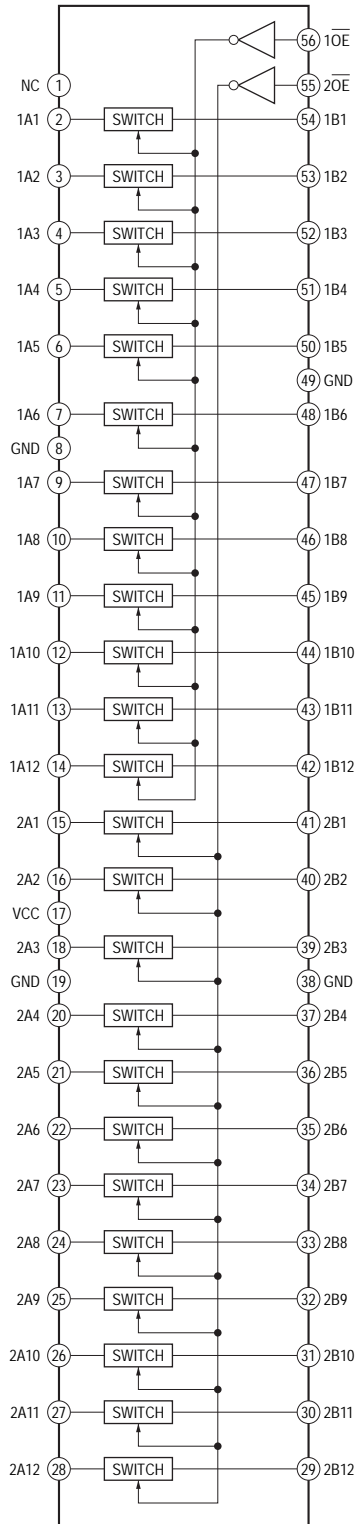
IC3853 SI-3010KM-TLS



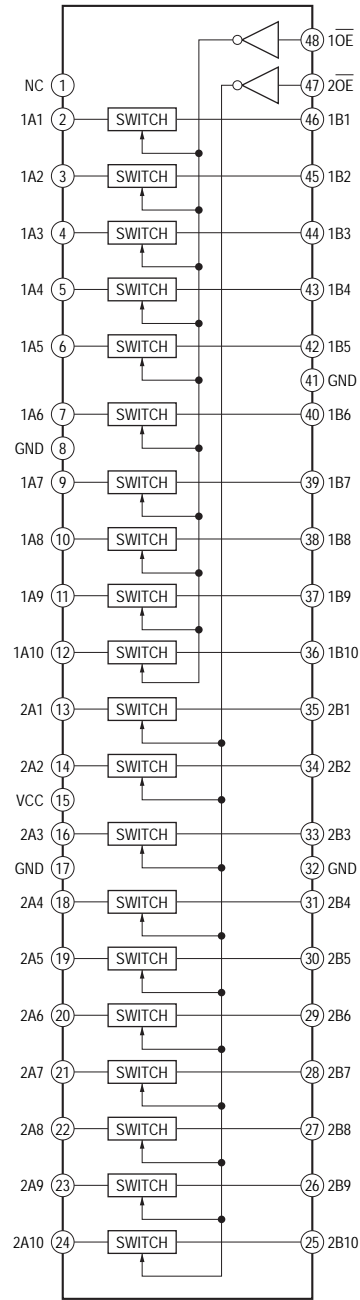
IC3854, 3857 CY2302-SXC-1T



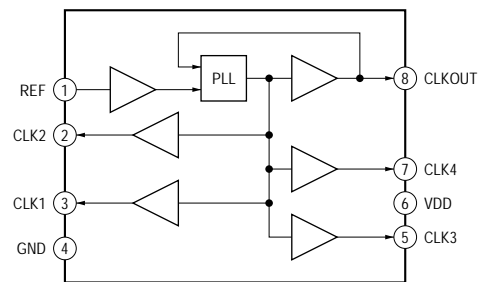
IC3858 SN74CB3Q16211DGVR



IC3859 SN74CB3Q16210DGVR

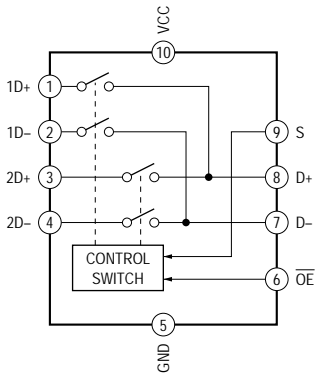


IC3862, 3863 CY23EP05SXC-1HT

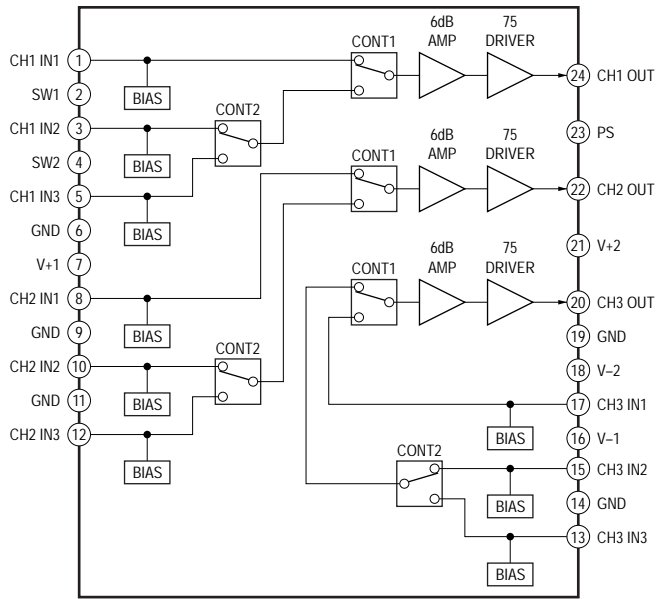


STR-DA5400ES

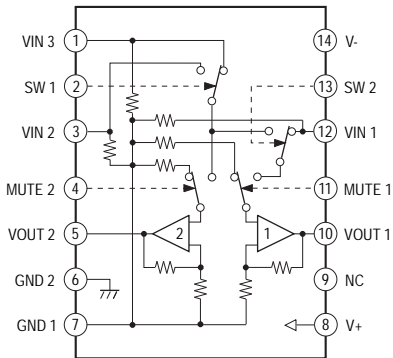
IC3864 TS3USB221RSER



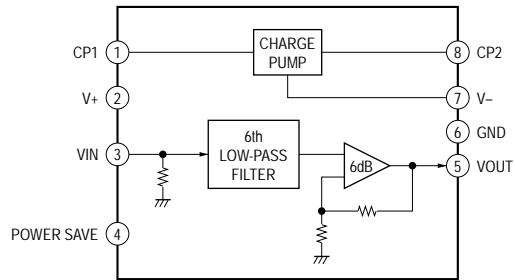
- A-VIDEO Board - IC6001 NJM2586AM



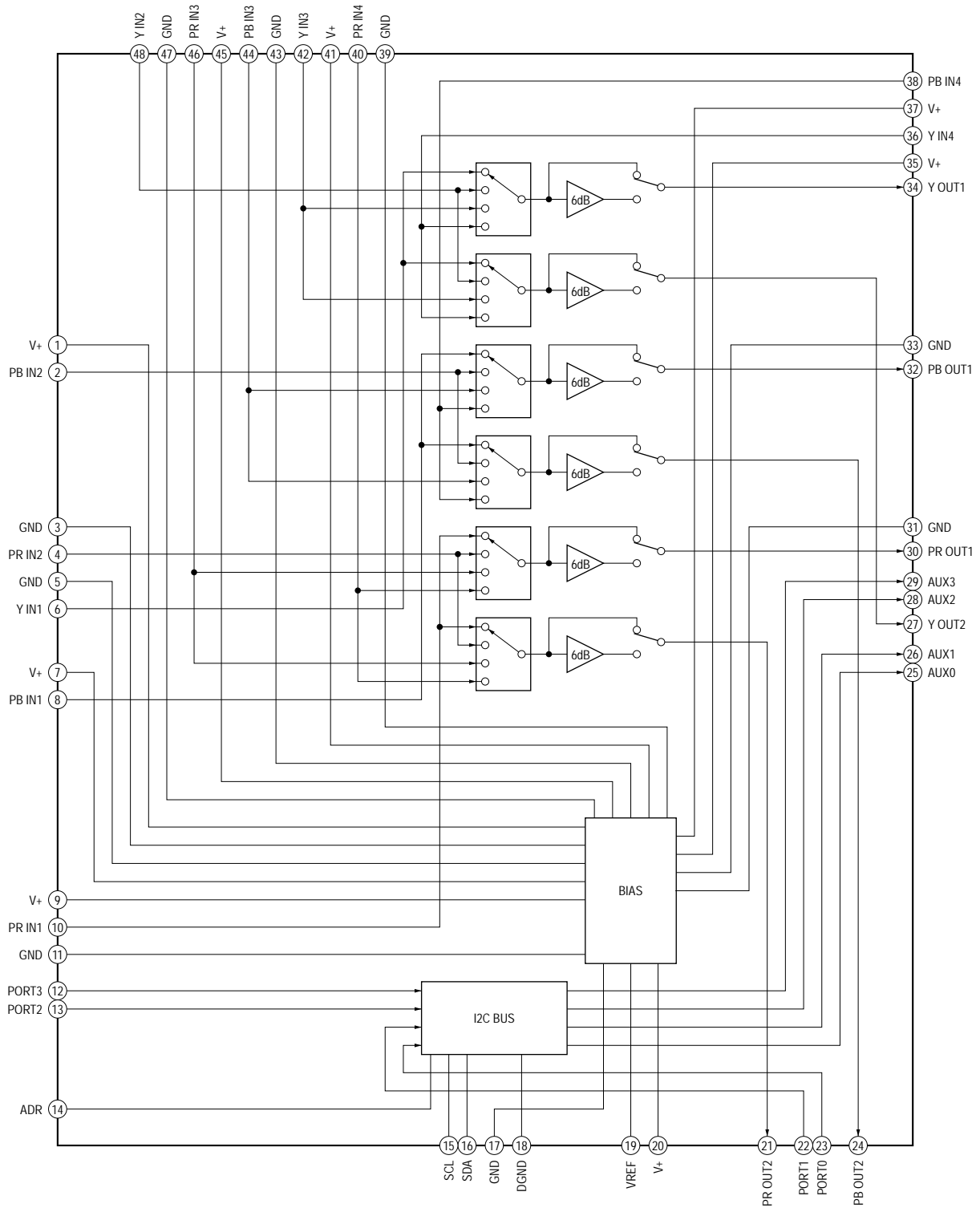
IC6002 NJM2279M-TE2



IC6003 NJW1351RB1 (TE2)

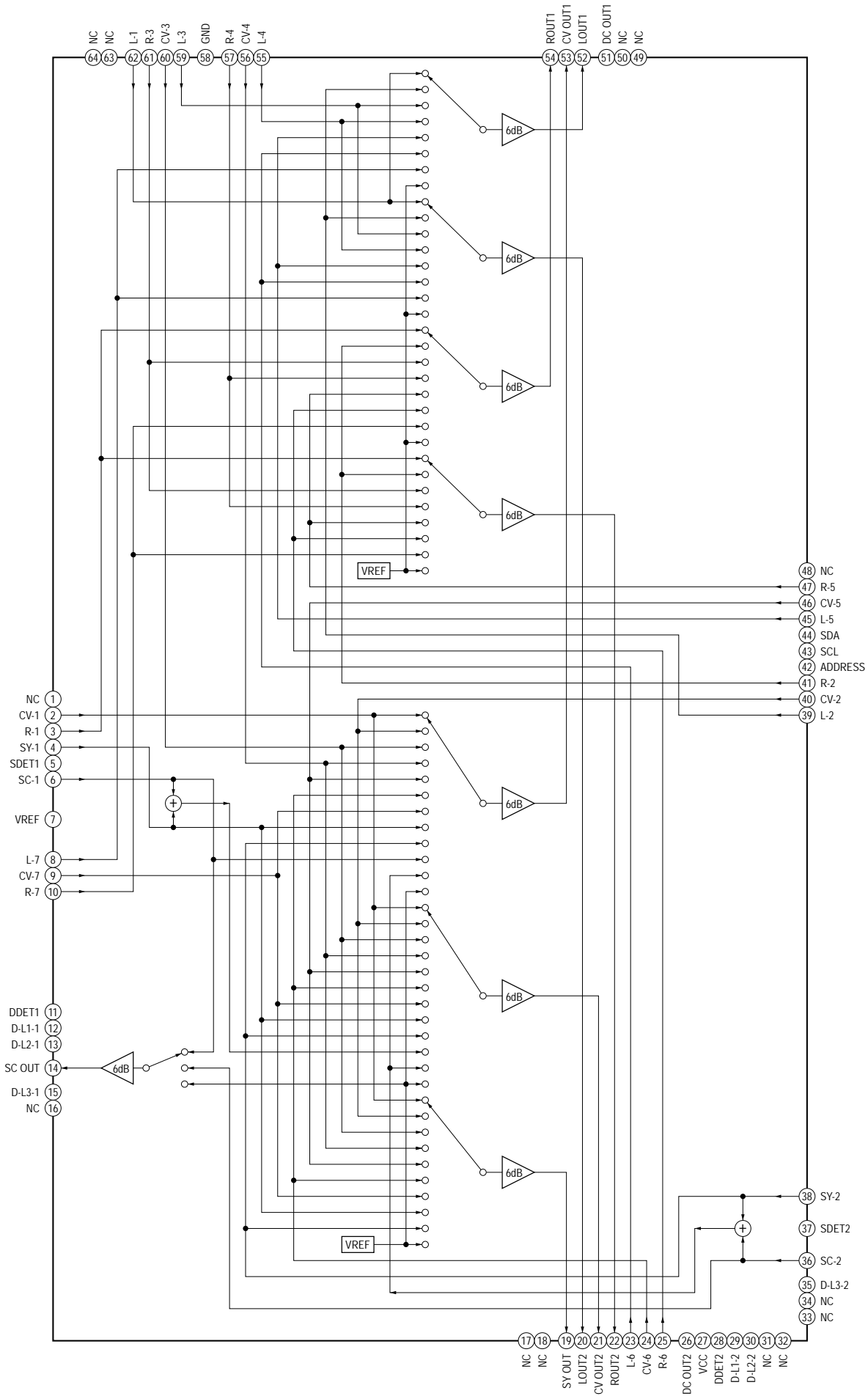


IC6004 NJW1321FP1

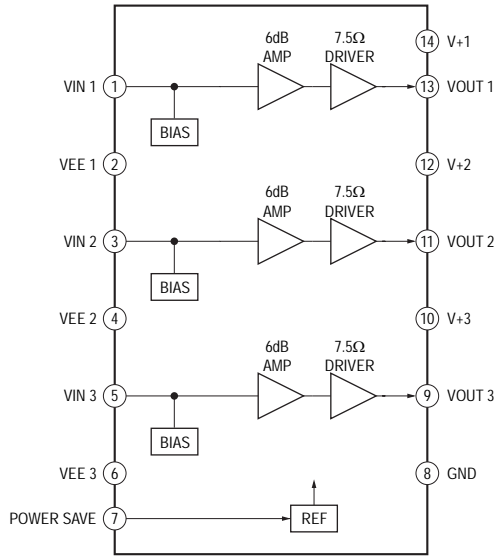


STR-DA5400ES

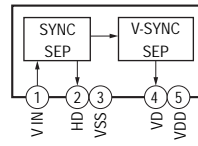
IC6007 AN15856A



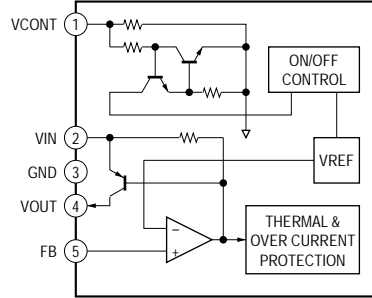
IC6006 NJM2581M-TE2



IC6008, 6009 LA7213

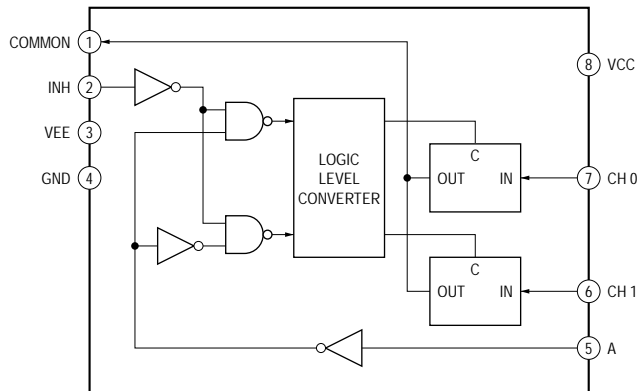


IC6011 TK73400AU3G0L-C



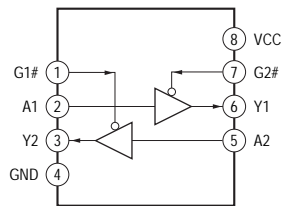
- CIS Board -

IC802 TC7W53F (TE12R)

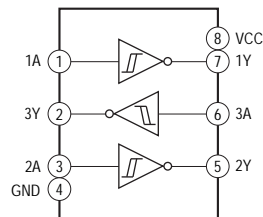


- CONTROL Board -

IC2501 TC7WT125FU (TE12R)

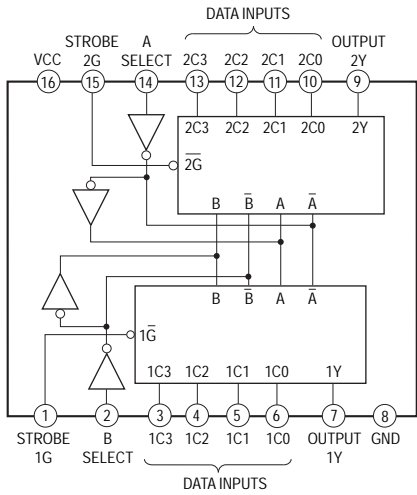


IC2505, 2509 TC7W14FU (TE12R)



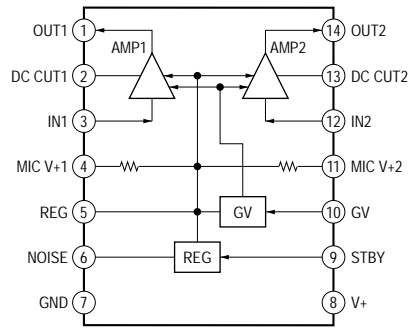
STR-DA5400ES

IC2506, 2507 TC74VHC153FT (EL)



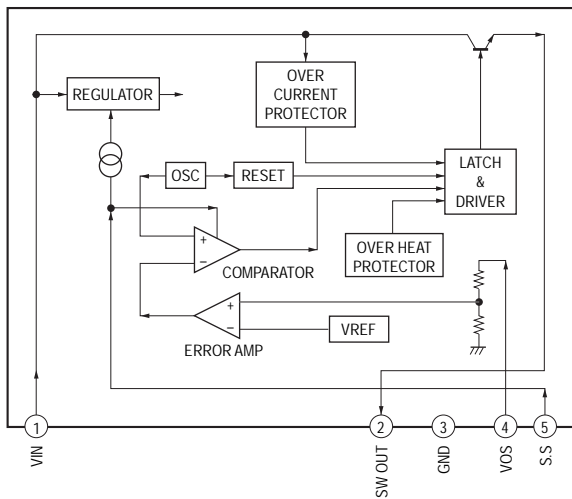
- DISPLAY Board -

IC703 NJM2173AV (TE2)

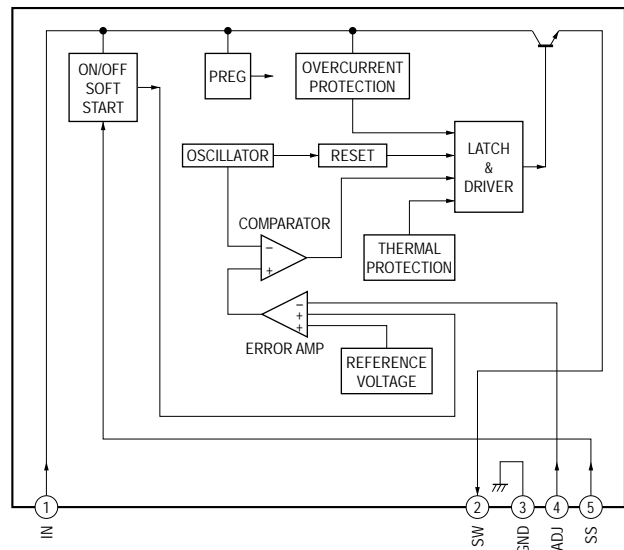


- DC-DC Board -

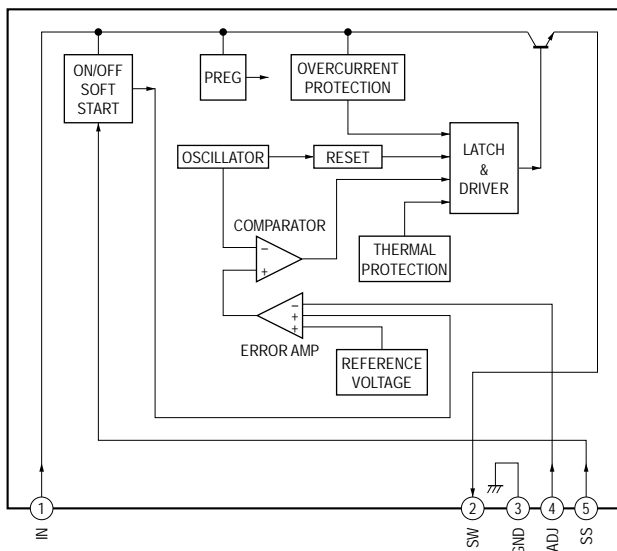
IC1401, 1404 SI-8050S-LF1101



IC1402, 1403 SI-8008HFE

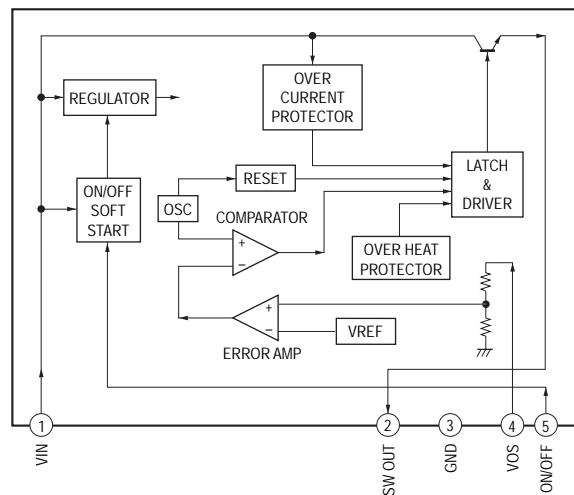


IC1405 SI-8120JF



- DCDC2 Board -

IC1451 SI-8008HFE



- IC Pin Function Description

DIGITAL BOARD IC2003 EP2C5T144C8N (FIELD PROGRAMMABLE GATE ARRAY)

Pin No.	Pin Name	I/O	Description
1	*ASDO	O	AS data output to the flash memory
2	*nCSO	O	Chip select signal output to the flash memory
3	MUTEOUT	O	Muting control signal output terminal
4	AMCKOUT	O	Audio master clock signal output to the D/A converter (for audio section)
5	VCCIO1	-	Power supply terminal (+3.3V)
6	GND	-	Ground terminal
7	LRCKOUT	O	L/R sampling clock signal output for PCM audio signal to the lip sync adjust
8	-	-	Not used
9	BCKOUT	O	Bit clock signal output for PCM audio signal to the lip sync adjust
10	*TDO	O	Data output terminal (for JTAG) Not used
11	*TMS	I	Mode selection signal input terminal (for JTAG) Not used
12	*TCK	I	Clock signal input terminal (for JTAG) Not used
13	*TDI	I	Data input terminal (for JTAG) Not used
14	*DATA0	I	Data input from the flash memory
15	*DCLK	O	Clock signal output to the flash memory
16	*nCE	I	Chip enable signal input terminal Not used
17	MCLKIN	I	Master clock signal input from the digital audio interface receiver or HDMI receiver
18	BCKIN	I	Bit clock signal input for PCM audio signal from the DSP2
19	GND	-	Ground terminal
20	*nCONFIG	I	Configuration control signal input terminal Not used
21	XRESET	I	Reset signal input from the system controller "L": reset
22	AMCKIN	I	Audio master clock signal input terminal
23	VCCIO1	-	Power supply terminal (+3.3V)
24	SD0OUT	O	PCM audio signal (front L/R) output to the lip sync adjust
25	SD1OUT	O	PCM audio signal (surround L/R) output to the lip sync adjust
26	-	-	Not used
27	SD2OUT	O	PCM audio signal (center, sub woofer) output to the lip sync adjust
28	SD3OUT	O	PCM audio signal (surround back L/R) output to the lip sync adjust
29	VCCIO1	-	Power supply terminal (+3.3V)
30	-	-	Not used
31	LRCKIN	I	L/R sampling clock signal input for PCM audio signal from the DSP2
32	-	-	Not used
33	GND	-	Ground terminal
34	GND_PLL1	-	Ground terminal (for PLL)
35	VCCD_PLL1	-	Power supply terminal (+1.2V) (digital system) (for PLL)
36	GND_PLL1	-	Ground terminal (for PLL)
37	VCCA_PLL1	-	Power supply terminal (+1.2V) (analog system) (for PLL)
38	GND_A_PLL1	-	Ground terminal (analog system) (for PLL)
39	GND	-	Ground terminal
40	SD0IN	I	PCM audio signal (front L/R) input from the DSP2
41	-	-	Not used
42	SD1IN	I	PCM audio signal (surround L/R) input from the DSP2
43	SD2IN	I	PCM audio signal (center, sub woofer) input from the DSP2
44	-	-	Not used
45	SD3IN	I	PCM audio signal (surround back L/R) input from the DSP2
46	VCCIO4	-	Power supply terminal (+3.3V)
47	I2CADRS0	-	Not used
48	I2CADRD1	-	Not used
49	GND	-	Ground terminal
50	VCCINT	-	Power supply terminal (+1.2V)
51	SDRAM	-	Not used
52, 53	-	-	Not used
54	VCCIO4	-	Power supply terminal (+3.3V)

Pin No.	Pin Name	I/O	Description
55	ERR	-	Not used
56	GND	-	Ground terminal
57	MIDDLE	O	Buffer status output to the system controller
58	EMPTY	O	Not used
59	FULL	O	Not used
60	-	-	Not used
61	GND	-	Ground terminal
62	VCCINT	-	Power supply terminal (+1.2V)
63	-	-	Not used
64	MODE	I	Not used
65	MUTE	I	Muting control signal input from the system controller
66	VCCIO4	-	Power supply terminal (+3.3V)
67	OUTPUTEN	I	Not used
68	GND	-	Ground terminal
69	MEMCLR	I	Not used
70	TXSTART	I	Not used
71	RXSTART	I	Not used
72	SDA	I/O	I2C data bus with the D/A converter (for audio section), system controller and video input selector
73	BA1	O	Bank address signal output terminal Not used
74	BA0	O	Bank address signal output to the SD-RAM
75	INIT_DONE	-	Not used
76	XCS	O	Chip select signal output to the SD-RAM
77	VCCIO3	-	Power supply terminal (+3.3V)
78	GND	-	Ground terminal
79	XRAS	O	Row address signal output to the SD-RAM
80	XCAS	O	Column address signal output to the SD-RAM
81	XWE	O	Write enable signal output to the SD-RAM
82	*nSTATUS	-	Configuration status terminal Not used
83	*CONF_DONE	O	Configuration status output terminal
84, 85	*MSEL1, *MSEL0	I	Mode setting terminal
86	LDQM	O	Data mask signal output to the SD-RAM (lower byte)
87	-	-	Not used
88	SCL	I	I2C clock signal input from the system controller
89	-	-	Not used
90	SYSCCLK	I	System clock signal input terminal
91	-	-	Not used
92 to 94	A0 to A2	O	Address signal output to the SD-RAM
95	VCCIO3	-	Power supply terminal (+3.3V)
96, 97	A3, A4	O	Address signal output to the SD-RAM
98	GND	-	Ground terminal
99 to 101	A5 to A7	O	Address signal output to the SD-RAM
102	VCCIO3	-	Power supply terminal (+3.3V)
103, 104	A8, A9	O	Address signal output to the SD-RAM
105	GND	-	Ground terminal
106	GND_PLL2	-	Ground terminal (for PLL)
107	VCCD_PLL2	-	Power supply terminal (+1.2V) (digital system) (for PLL)
108	GND_PLL2	-	Ground terminal (for PLL)
109	VCCA_PLL2	-	Power supply terminal (+1.2V) (analog system) (for PLL)
110	GND_A_PLL2	-	Ground terminal (analog system) (for PLL)
111	GND	-	Ground terminal
112	A10	O	Address signal output to the SD-RAM
113	A11	O	Address signal output terminal Not used
114, 115	D0, D1	I/O	Two-way data bus with the SD-RAM
116	VCCIO2	-	Power supply terminal (+3.3V)
117	GND	-	Ground terminal

Pin No.	Pin Name	I/O	Description
118, 119	D2, D3	I/O	Two-way data bus with the SD-RAM
120	-	-	Not used
121, 122	D4, D5	I/O	Two-way data bus with the SD-RAM
123	GND	-	Ground terminal
124	VCCINT	-	Power supply terminal (+1.2V)
125, 126	D6, D7	I/O	Two-way data bus with the SD-RAM
127	VCCIO2	-	Power supply terminal (+3.3V)
128	GND	-	Ground terminal
129	D8	I/O	Two-way data bus with the SD-RAM
130	GND	-	Ground terminal
131	VCCINT	-	Power supply terminal (+1.2V)
132 to 134	D9 to D11	I/O	Two-way data bus with the SD-RAM
135	-	-	Not used
136, 137	D12, D13	I/O	Two-way data bus with the SD-RAM
138	VCCIO2	-	Power supply terminal (+3.3V)
139	D14	I/O	Two-way data bus with the SD-RAM
140	GND	-	Ground terminal
141	D15	I/O	Two-way data bus with the SD-RAM
142	UNQM	O	Data mask signal output to the SD-RAM (upper byte)
143	CLK	O	Clock signal output to the SD-RAM
144	CKE	O	Clock enable signal output to the SD-RAM

DSP BOARD IC5002 ADSST-AVR-1132 (DSP1)

Pin No.	Pin Name	I/O	Description
A1	CLKCFG0	I	Clock frequency setting terminal
A2	XTAL	O	System clock output terminal (12.288 MHz)
A3	TMS	I	Mode selection signal input terminal (for JTAG) Not used
A4	TCK	I	Clock signal input terminal (for JTAG) Not used
A5	TDI	I	Data input terminal (for JTAG) Not used
A6	CLKOUT	O	Clock signal output terminal Not used
A7	TDO	O	Data output terminal (for JTAG) Not used
A8	$\overline{\text{EMU}}$	-	Not used
A9	MOSI	I	Serial data input from the DSP controller
A10	MISO	O	Serial data output to the DSP controller
A11	$\overline{\text{SPIDS}}$	I	Serial data latch pulse signal input from the DSP controller
A12	VDDINT	-	Power supply terminal (+1.2V)
A13, A14	GND	-	Ground terminal
B1	CLKCFG1	I	Clock frequency setting terminal
B2	GND	-	Ground terminal
B3	VDDEXT	-	Power supply terminal (+3.3V)
B4	CLKIN	I	System clock input terminal (12.288 MHz)
B5	$\overline{\text{TRST}}$	I	Reset signal input terminal (for JTAG) Not used
B6	AVSS	-	Ground terminal
B7	AVDD	-	Power supply terminal (+1.2V)
B8	VDDEXT	-	Power supply terminal (+3.3V)
B9	SPICLK	I	Serial data transfer clock signal input from the DSP controller
B10	$\overline{\text{RESET}}$	I	Reset signal input from the DSP controller "L": reset
B11	VDDINT	-	Power supply terminal (+1.2V)
B12 to B14	GND	-	Ground terminal
C1, C2	BOOTCFG1, BOOTCFG0	I	Boot mode setting signal input from the DSP controller
C3, C12, C13	GND	-	Ground terminal
C14, D1	VDDINT	-	Power supply terminal (+1.2V)
D2, D4 to D6, D9 to D11, D13	GND	-	Ground terminal
D14, E1	VDDINT	-	Power supply terminal (+1.2V)
E2, E4 to E6, E9 to E11, E13	GND	-	Ground terminal
E14	P_ERROR	O	PLL lock error signal and data error flag output to the DSP2 and DSP controller
F1	FLAG1	I	Audio muting control signal input from the digital audio interface receiver or HDMI receiver
F2	FLAG0	O	Interrupt request signal output to the DSP controller
F4 to F6, F9 to F11	GND	-	Ground terminal
F13	NONAUDIO	I	PCM audio data input from the digital audio interface receiver or video system controller
F14	DPFCK	I	Master clock signal input from the digital audio processor1 or HDMI receiver
G1	AD7	I/O	Two-way data bus with flash memory and S-RAM Address signal output to the address latch
G2	VDDINT	-	Power supply terminal (+1.2V)
G13	VDDEXT	-	Power supply terminal (+3.3V)
G14	DPBCK	I	Bit clock signal input for PCM audio signal input from the digital audio interface receiver or HDMI receiver.
H1	AD6	I/O	Two-way data bus with flash memory and S-RAM Address signal output to the address latch
H2	VDDEXT	-	Power supply terminal (+3.3V)
H13	DPLRCK	I	L/R sampling clock signal input for PCM audio signal input from the digital audio interface receiver or HDMI receiver
H14	DPDVCK	O	Bit clock signal output for PCM audio signal output to the DSP2

Pin No.	Pin Name	I/O	Description
J1, J2	AD5, AD4	I/O	Two-way data bus with flash memory and S-RAM Address signal output to the address latch
J4 to J6, J9 to J11	GND	-	Ground terminal
J13	VDDINT	-	Power supply terminal (+1.2V)
J14	DPDVLCK	O	L/R sampling clock signal output for PCM audio signal output to the DSP2
K1	AD3	I/O	Two-way data bus with flash memory and S-RAM Address signal output to the address latch
K2	VDDINT	-	Power supply terminal (+1.2V)
K4 to K6, K9 to K11, K13	GND	-	Ground terminal
K14	DPSIE	I	PCM audio signal (surround back L/R) input from the HDMI receiver
L1, L2	AD2, AD1	I/O	Two-way data bus with flash memory and S-RAM Address signal output to the address latch
L4 to L6, L9 to L11, L13	GND	-	Ground terminal
L14	DPSID	I	PCM audio signal (center, sub woofer) input from the HDMI receiver
M1	AD0	I/O	Two-way data bus with flash memory and S-RAM Address signal output to the address latch
M2	\overline{WR}	O	Data write enable signal output to the flash memory and S-RAM
M3, M12	GND	-	Ground terminal
M13	DPSIB	I	PCM audio signal (front L/R) input from the A/D converter or HDMI receiver
M14	DPSIC	I	PCM audio signal (surround L/R) input from the HDMI receiver
N1	AD15	O	Address signal output to the flash memory and S-RAM
N2	ALE	O	Address latch enable signal output to the address latch
N3	\overline{RD}	O	Data read enable signal output to the flash memory and S-RAM
N4	VDDINT	-	Power supply terminal (+1.2V)
N5	VDDEXT	-	Power supply terminal (+3.3V)
N6	AD8	O	Address signal output to the flash memory S-RAM, flash memory and address latch
N7	VDDINT	-	Power supply terminal (+1.2V)
N8	DAI_P2	-	Not used
N9	VDDEXT	-	Power supply terminal (+3.3V)
N10	DAI_P4	O	Digital audio signal output to the DSP2
N11, N12	VDDINT	-	Power supply terminal (+1.2V)
N13	GND	-	Ground terminal
N14	DPSOE	O	PCM audio signal output to the DSP2
P1 to P6	AD14 to AD9	O	Address signal output to the flash memory and S-RAM
P7 to P9	DAI_P1, DAI_P3, DAI_P5	-	Not used
P10	DPSOA	O	PCM audio signal (front L/R) output to the DSP2
P11	DPSOB	O	PCM audio signal (surround L/R) output to the DSP2
P12	DPSOC	O	PCM audio signal (center, sub woofer) output to the DSP2
P13	DPSOD	O	PCM audio signal (surround back L/R) output to the DSP2
P14	DPSIA	I	PCM audio signal (digital input) input from the digital audio interface receiver or HDMI receiver

DSP BOARD IC5202 ADSST-AVR-1131 (DSP2)

Pin No.	Pin Name	I/O	Description
A1	CLKCFG0	I	Clock frequency setting terminal
A2	XTAL	O	System clock output terminal (25 MHz)
A3	TMS	I	Mode selection signal input terminal (for JTAG) Not used
A4	TCK	I	Clock signal input terminal (for JTAG) Not used
A5	TDI	I	Data input terminal (for JTAG) Not used
A6	CLKOUT	O	Clock signal output terminal Not used
A7	TDO	O	Data output terminal (for JTAG) Not used
A8	EMU	-	Not used
A9	MOSI	I/O	When DSP2 is master: Serial data output to the serial flash When DSP2 is slave: Serial data input from the DSP controller
A10	MISO	I/O	When DSP2 is master: Serial data input from the serial flash When DSP2 is slave: Serial data output to the DSP controller
A11	SPIDS	I	Serial data latch pulse signal input from the DSP controller
A12	VDDINT	-	Power supply terminal (+1.2V)
A13, A14	GND	-	Ground terminal
B1	CLKCFG1	I	Clock frequency setting terminal
B2	GND	-	Ground terminal
B3	VDDEXT	-	Power supply terminal (+3.3V)
B4	CLKIN	I	System clock input terminal (25 MHz)
B5	TRST	I	Reset signal input terminal (for JTAG) Not used
B6	AVSS	-	Ground terminal
B7	AVDD	-	Power supply terminal (+1.2V)
B8	VDDEXT	-	Power supply terminal (+3.3V)
B9	SPICLK	I/O	When DSP2 is master: Serial data transfer clock signal input from the DSP controller When DSP2 is slave: Serial data transfer clock signal output to the serial flash
B10	RESET	I	Reset signal input from the DSP controller "L": reset
B11	VDDINT	-	Power supply terminal (+1.2V)
B12 to B14	GND	-	Ground terminal
C1, C2	BOOTCFG1, BOOTCFG0	I	Boot mode setting signal input from the DSP controller
C3, C12, C13	GND	-	Ground terminal
C14, D1	VDDINT	-	Power supply terminal (+1.2V)
D2, D4 to D6, D9 to D11, D13	GND	-	Ground terminal
D14, E1	VDDINT	-	Power supply terminal (+1.2V)
E2, E4 to E6, E9 to E11, E13	GND	-	Ground terminal
E14	SF2_DSP2_CE	O	Chip enable signal output to the serial flash
F1	FLAG1	I	Audio muting control signal input from the digital audio interface receiver or HDMI receiver
F2	FLAG0	O	Interrupt request signal output to the DSP controller
F4 to F6, F9 to F11	GND	-	Ground terminal
F13	P_ERROR	I	PLL lock error signal and data error flag input from the DSP1
F14	DPFCK	I	Master clock signal input from the digital audio interface receiver or HDMI receiver
G1	AD7	I/O	Two-way data bus with S-RAM and address signal output to the address latch
G2	VDDINT	-	Power supply terminal (+1.2V)
G13	VDDEXT	-	Power supply terminal (+3.3V)
G14	DPBCK	I	Bit clock signal input for PCM audio signal input from the digital audio interface receiver, DSP1 or HDMI receive
H1	AD6	I/O	Two-way data bus with S-RAM and address signal output to the address latch
H2	VDDEXT	-	Power supply terminal (+3.3V)
H13	DPLRCK	I	L/R sampling clock signal input for PCM audio signal input from the digital audio interface receiver, DSP1 or HDMI receiver

Pin No.	Pin Name	I/O	Description
H14	DPDVCK	O	Bit clock signal output for PCM audio signal output to the lip sync adjust and D/A converter (for audio section) (US and Canadian models) Bit clock signal output for PCM audio signal output to the field programmable gate array (AEP, Continental European, East European, Russian and UK models)
J1, J2	AD5, AD4	I/O	Two-way data bus with S-RAM and address signal output to the address latch
J4 to J6, J9 to J11	GND	-	Ground terminal
J13	VDDINT	-	Power supply terminal (+1.2V)
J14	DPDVLCK	O	L/R sampling clock signal output for PCM audio signal output to the lip sync adjust and D/A converter (for audio section) (US and Canadian models) L/R sampling clock signal output for PCM audio signal output to the field programmable gate array (AEP, Continental European, East European, Russian and UK models)
K1	AD3	I/O	Two-way data bus with S-RAM and address signal output to the address latch
K2	VDDINT	-	Power supply terminal (+1.2V)
K4 to K6, K9 to K11, K13	GND	-	Ground terminal
K14	DPSIE	I	PCM audio signal (surround back L/R) input from the DSP1
L1, L2	AD2, AD1	I/O	Two-way data bus with S-RAM and address signal output to the address latch
L4 to L6, L9 to L11, L13	GND	-	Ground terminal
L14	DPSID	I	PCM audio signal (center, sub woofer) input from the DSP1
M1	AD0	I/O	Two-way data bus with S-RAM and address signal output to the address latch
M2	\overline{WR}	O	Data write enable signal output to the S-RAM
M3, M12	GND	-	Ground terminal
M13	DPSIB	I	PCM audio signal (front L/R) input from the A/D converter, HDMI receiver or DSP1
M14	DPSIC	I	PCM audio signal (surround L/R) input from the DSP1
N1	AD15	O	Address signal output to the S-RAM and address latch
N2	ALE	O	Address latch enable signal output to the address latch
N3	\overline{RD}	O	Data read enable signal output to the S-RAM
N4	VDDINT	-	Power supply terminal (+1.2V)
N5	VDDEXT	-	Power supply terminal (+3.3V)
N6	AD8	O	Address signal output to the S-RAM and address latch
N7	VDDINT	-	Power supply terminal (+1.2V)
N8	DAI_P2	-	Not used
N9	VDDEXT	-	Power supply terminal (+3.3V)
N10	DAI_P4	I	Digital audio signal input from the DSP1
N11, N12	VDDINT	-	Power supply terminal (+1.2V)
N13	GND	-	Ground terminal
N14	DPSOE	O	PCM audio signal output terminal Not used
P1 to P6	AD14 to AD9	O	Address signal output to the S-RAM and address latch
P7	DAI_P1	O	Address signal output to the S-RAM
P8	DAI_P3	-	Not used
P9	SF2_DSP2_MAS	O	Master/slave mode selection signal output terminal
P10	DPSOA	O	PCM audio signal (front L/R) output to the lip sync adjust (US and Canadian models) PCM audio signal (front L/R) output to the field programmable gate array (AEP, Continental European, East European, Russian and UK models)
P11	DPSOB	O	PCM audio signal (surround L/R) output to the lip sync adjust (US and Canadian models) PCM audio signal (surround L/R) output to the field programmable gate array (AEP, Continental European, East European, Russian and UK models)
P12	DPSOC	O	PCM audio signal (center, sub woofer) output to the lip sync adjust (US and Canadian models) PCM audio signal (center, sub woofer) output to the field programmable gate array (AEP, Continental European, East European, Russian and UK models)
P13	DPSOD	O	PCM audio signal (surround back L/R) output to the lip sync adjust (US and Canadian models) PCM audio signal (surround back L/R) output to the field programmable gate array (AEP, Continental European, East European, Russian and UK models)
P14	DPSIA	I	PCM audio signal (digital input) input from the DSP1

DSP BOARD IC5208 MB91F353APMT-GE1 (DSP CONTROLLER)

Pin No.	Pin Name	I/O	Description
1	RDATA0	I	PCM audio signal (digital input) input from the digital audio interface receiver or HDMI receiver
2 to 8	-	-	Not used
9	DSP2_SIB_SEL	O	Data selection signal output to the data selector
10	P_ERROR	I	PLL lock error signal and data error flag input from the DSP1
11	DSP1_SPIDS	O	Serial data latch pulse signal output to the DSP1
12	DSP1_RESET	O	Reset signal output to the DSP1 and flash memory "L": reset
13, 14	DSP1_BOOTCFG0, DSP1_BOOTCFG1	O	Boot mode setting signal output to the DSP1
15, 16	-	-	Not used
17	SF2_DSP2_MAS	I	Master/slave mode selection signal input from the DSP2
18, 19	-	-	Not used
20	SF2_CPU_CE	O	Chip enable signal output to the serial flash
21	DSP2_SPIDS	O	Serial data latch pulse signal output to the DSP2
22	DSP2_RESET	O	Reset signal output to the DSP2 "L": reset
23, 24	-	-	Not used
25, 26	DSP2_BOOTCFG0, DSP2_BOOTCFG1	O	Boot mode setting signal output to the DSP2
27 to 35	-	-	Not used
36	DRST_TRG	O	Programming end flag output to the system controller
37 to 39	-	-	Not used
40	VSS	-	Ground terminal
41	SDA	I/O	Two-way I2C data bus with the system controller
42	SCL	I/O	Two-way I2C clock bus with the system controller
43	VSS	-	Ground terminal
44	VCC	-	Power supply terminal (+3.3V)
45 to 47	-	-	Not used
48	\overline{RD}	O	Read strobe signal output terminal Not used
49	$\overline{WR0}$	O	Write strobe signal output terminal Not used
50, 51	-	-	Not used
52	MD2	I	Programming mode setting signal input from the system controller
53, 54	MD1, MD0	I	Programming mode setting signal input terminal Not used
55	XRESET	I	Reset signal input from the system controller "L": reset
56	VCC	-	Power supply terminal (+3.3V)
57	XOUT	O	System clock output terminal (12.5 MHz)
58	XIN	I	System clock input terminal (12.5 MHz)
59	VSS	-	Ground terminal
60 to 62	-	-	Not used
63	MD_BUSY	I	Busy signal input from the system controller
64	DM_BUSY	O	Busy signal output to the system controller
65	DM_INT	O	Interrupt request signal output terminal Not used
66 to 69	-	-	Not used
70, 71	PN0, PN2	-	Not used
72 to 75	-	-	Not used
76	VSS	-	Ground terminal
77	VCC	-	Power supply terminal (+3.3V)
78 to 80	-	-	Not used
81	INT0	I	Interrupt request signal input terminal Not used
82	MD_INT	I	Interrupt request signal input from the system controller
83	DSP1_INT	I	Interrupt request signal input from the DSP1
84	DSP2_INT	I	Interrupt request signal input from the DSP2
85, 86	INT4, INT5	I	Interrupt request signal input terminal Not used
87, 88	-	-	Not used
89	MD_DATA	I	Serial data input terminal Not used
90	DM_DATA	O	Serial data output terminal Not used
91	SCK0	O	Serial data transfer clock signal output terminal Not used

Pin No.	Pin Name	I/O	Description
92	DSP1_MISO	I	Serial data input from the DSP1
93	DSP1_MOSI	O	Serial data output to the DSP1
94	DSP1_SPICLK	O	Serial data transfer clock signal output to the DSP1
95	VCC	-	Power supply terminal (+3.3V)
96	VSS	-	Ground terminal
97, 98	-	-	Not used
99	DSP2_MISO	I	Serial data input from the DSP2 or serial flash
100	DSP2_MOSI	O	Serial data output to the DSP2 or serial flash
101	DSP2_SPICLK	O	Serial data transfer clock signal output to the DSP2 or serial flash
102	SI3	I	Serial data input from the RS-232C connector
103	SO3	O	Serial data output to the RS-232C connector
104	SCK3	O	Serial data transfer clock signal output terminal Not used
105, 106	-	-	Not used
107	DAVS	-	Ground terminal
108	DAVC	-	Power supply terminal (+3.3V)
109	AVCC	-	Power supply terminal (+3.3V)
110	AVRH	I	Reference voltage input terminal (+3.3V)
111	AVSS	-	Ground terminal
112	VSS	-	Ground terminal
113, 114	KEY0, KEY1	I	Key input terminal Not used
115 to 120	-	-	Not used

DMPORT BOARD IC6801 F2602E-01-TR (XM RECEIVER)

Pin No.	Pin Name	I/O	Description
1	LSOPTXRX	-	Not used
2	VSS	-	Ground terminal
3	SCTXOUT	O	Serial data output to the system controller
4	VDD	-	Power supply terminal (+3.3V)
5	SCRXIN	I	Serial data input from the system controller
6	VSS	-	Ground terminal
7	COMMSEL	I	Command mode selection signal input terminal Not used
8	VDD	-	Power supply terminal (+3.3V)
9	$\overline{\text{IRQ}}$	O	Interrupt request signal output terminal Not used
10	VSS	-	Ground terminal
11	$\overline{\text{RESET}}$	I	Reset signal input from the system controller "L": reset
12	SLAVESL	I	Master/slave mode selection signal input terminal "L": master mode, "H": slave mode Fixed at "L" in this set
13	COMRXDIG	-	Not used
14	COMTXDIG	-	Not used
15	COMTXEN	-	Not used
16	VSS	-	Ground terminal
17	VDD	-	Power supply terminal (+3.3V)
18	COMRXP	I	XM receiver differential signal (positive) input from the XM connector
19	COMRXM	I	XM receiver differential signal (negative) input from the XM connector
20	VDD	-	Power supply terminal (+3.3V)
21	VSS	-	Ground terminal
22	COMTXM	O	XM transmitter differential signal (negative) output to the XM connector
23	COMTXP	O	XM transmitter differential signal (positive) output to the XM connector
24, 25	VSS	-	Ground terminal
26	OSCOUT	O	System clock output terminal (45.1584 MHz)
27	VDD	-	Power supply terminal (+3.3V)
28	OSCIN	I	System clock input terminal (45.1584 MHz)
29	VSS	-	Ground terminal
30	TEST	-	Not used
31	VSS	-	Ground terminal
32	HSDPDATA	-	Not used
33	VDD	-	Power supply terminal (+3.3V)
34	HSDPCLK	-	Not used
35	VSS	-	Ground terminal
36	HSDPEN	-	Not used
37	I2SDATA	O	I2S digital audio data output to the D/A converter (for XM section)
38	VSS	-	Ground terminal
39	I2SSCLK	O	I2S bit clock signal output to the D/A converter (for XM section)
40	VDD	-	Power supply terminal (+3.3V)
41	I2SLRCLK	O	I2S L/R sampling clock signal output to the D/A converter (for XM section)
42	VSS	-	Ground terminal
43	I2SOCLK	O	I2S over sample clock signal output to the D/A converter (for XM section)
44	VSS	-	Ground terminal
45	SAIICLK	-	Not used
46	VDD	-	Power supply terminal (+3.3V)
47	SAIIDATA	-	Not used
48	SAIIEN	-	Not used

D VIDEO BOARD IC3511 SII9135CTU (HDMI RECEIVER)

Pin No.	Pin Name	I/O	Description
1 to 3	Q10 to Q8	O	Serial data output to the HDMI transmitter and video processor1
4	IOGND	-	Ground terminal
5	ODCK	O	Output data clock signal output to the clock generator
6	IOVCC33	-	Power supply terminal (+3.3V)
7 to 10	Q7 to Q4	O	Serial data output to the HDMI transmitter and video processor1
11	CGND	-	Ground terminal
12	CVCC18	-	Power supply terminal (+1.8V)
13, 14	Q3, Q2	O	Serial data output to the HDMI transmitter and video processor1
15, 16	Q1, Q0	O	Serial data output to the HDMI transmitter
17	IOGND	-	Ground terminal
18	IOVCC33	-	Power supply terminal (+3.3V)
19	DE	O	Data enable signal output to the HDMI transmitter and video processor1
20	HSYNC	O	Horizontal sync signal output to the HDMI transmitter and video processor1
21	VSYNC	O	Vertical sync signal output to the HDMI transmitter and video processor1
22	EVNODD	-	Not used
23	CGND	-	Ground terminal
24, 25	CVCC18	-	Power supply terminal (+1.8V)
26	CSDA	I/O	I2C data bus with the EEPROM, HDMI transmitter, video system controller and D/A converter (for video section),
27	CSCL	I	I2C clock signal input from the video system controller
28	DSDA1	I/O	I2C data bus with the HDMI input selector and EEPROM
29	DSCL1	I	I2C clock signal input from the HDMI input selector
30	R1PWR5V	I	Power supply voltage (+5V) input from the HDMI connector
31	IOGND	-	Ground terminal
32	IOVCC33	-	Power supply terminal (+3.3V)
33	DSDA0	I/O	I2C data bus with the HDMI input selector and EEPROM
34	DSCL0	I	I2C clock signal input from the HDMI input selector
35	R0PWR5V	I	Power supply voltage (+5V) input from the HDMI connector
36	AGND	-	Ground terminal
37	AVCC18	-	Power supply terminal (+1.8V)
38	AVCC33	-	Power supply terminal (+3.3V)
39	R0XC-	I	TMDS clock (negative) signal input from the HDMI input selector
40	R0XC+	I	TMDS clock (positive) signal input from the HDMI input selector
41	AGND	-	Ground terminal
42	AVCC33	-	Power supply terminal (+3.3V)
43	R0X0-	I	TMDS data (negative) input from the HDMI input selector
44	R0X0+	I	TMDS data (positive) input from the HDMI input selector
45	AGND	-	Ground terminal
46	AVCC33	-	Power supply terminal (+3.3V)
47	R0X1-	I	TMDS data (negative) input from the HDMI input selector
48	R0X1+	I	TMDS data (positive) input from the HDMI input selector
49	AGND	-	Ground terminal
50	AVCC33	-	Power supply terminal (+3.3V)
51	R0X2-	I	TMDS data (negative) input from the HDMI input selector
52	R0X2+	I	TMDS data (positive) input from the HDMI input selector
53	AGND	-	Ground terminal
54	AVCC18	-	Power supply terminal (+1.8V)
55	RSVDNC	-	Not used
56	AVCC33	-	Power supply terminal (+3.3V)
57	R1XC-	I	TMDS clock (negative) signal input from the HDMI input selector
58	R1XC+	I	TMDS clock (positive) signal input from the HDMI input selector
59	AGND	-	Ground terminal
60	AVCC33	-	Power supply terminal (+3.3V)
61	R1X0-	I	TMDS data (negative) input from the HDMI input selector
62	R1X0+	I	TMDS data (positive) input from the HDMI input selector

Pin No.	Pin Name	I/O	Description
63	AGND	-	Ground terminal
64	AVCC33	-	Power supply terminal (+3.3V)
65	R1X1-	I	TMDS data (negative) input from the HDMI input selector
66	R1X1+	I	TMDS data (positive) input from the HDMI input selector
67	AGND	-	Ground terminal
68	AVCC33	-	Power supply terminal (+3.3V)
69	R1X2-	I	TMDS data (negative) input from the HDMI input selector
70	R1X2+	I	TMDS data (positive) input from the HDMI input selector
71	AGND	-	Ground terminal
72	AVCC18	-	Power supply terminal (+1.8V)
73	IOGND	-	Ground terminal
74	IOVCC33	-	Power supply terminal (+3.3V)
75	MUTEOUT	O	Audio muting control signal output terminal
76, 77	RSVDNC	-	Not used
78	SPDIF	O	S/PDIF signal output to the digital audio interface receiver, HDMI transmitter, DSP1 and DSP controller
79	CGND	-	Ground terminal
80	CVCC18	-	Power supply terminal (+1.8V)
81 to 84	SD0 to SD3	O	PCM audio signal output to the HDMI transmitter and DSP1
85	WS	O	L/R sampling clock signal output to the HDMI transmitter, DSP1 and DSP2
86	SCK	O	Bit clock signal output to the HDMI transmitter, DSP1 and DSP2
87	IOGND	-	Ground terminal
88	IOVCC33	-	Power supply terminal (+3.3V)
89	MCLK	O	Master clock signal output to the D/A converter (for video section), HDMI transmitter, DSP1 and DSP2 (US and Canadian models) Master clock signal output to the field programmable gate array, HDMI transmitter, DSP1 and DSP2 (AEP, Continental European, East European, Russian and UK models)
90	CGND	-	Ground terminal
91	CVCC18	-	Power supply terminal (+1.8V)
92	DVCC18	-	Power supply terminal (+1.8V)
93	DGND2	-	Ground terminal
94	XTALOUT	O	System clock output terminal (28.322 MHz)
95	XTALIN	I	System clock input terminal (28.322 MHz)
96	XTALVCC	-	Power supply terminal (+3.3V)
97	REGVCC	-	Power supply terminal (+3.3V)
98	RSVDNC	-	Not used
99	RSVDL	-	Not used
100	RESET#	I	Reset signal input from the video system controller "L": reset
101	SCDT	-	Not used
102	INT	O	Interrupt signal output to the video system controller
103	IOGND	-	Ground terminal
104	IOVCC33	-	Power supply terminal (+3.3V)
105	CI2CA	-	Not used
106	CGND	-	Ground terminal
107	CVCC18	-	Power supply terminal (+1.8V)
108 to 111	Q35 to Q32	O	Serial data output to the HDMI transmitter and video processor1
112	IOGND	-	Ground terminal
113	IOVCC33	-	Power supply terminal (+3.3V)
114 to 117	Q31 to Q28	O	Serial data output to the HDMI transmitter and video processor1
118	CGND	-	Ground terminal
119	CVCC18	-	Power supply terminal (+1.8V)
120, 121	Q27, Q26	O	Serial data output to the HDMI transmitter and video processor1
122, 123	Q25, Q24	O	Serial data output to the HDMI transmitter
124	IOGND	-	Ground terminal
125	IOVCC33	-	Power supply terminal (+3.3V)
126 to 129	Q23 to Q20	O	Serial data output to the HDMI transmitter and video processor1
130	CGND	-	Ground terminal

Pin No.	Pin Name	I/O	Description
131	CVCC	-	Power supply terminal (+1.8V)
132 to 135	Q19 to Q16	O	Serial data output to the HDMI transmitter and video processor1
136	I0GND	-	Ground terminal
137	I0VCC33	-	Power supply terminal (+3.3V)
138 to 141	Q15 to Q12	O	Serial data output to the HDMI transmitter and video processor1
142	CGND	-	Ground terminal
143	CVCC18	-	Power supply terminal (+1.8V)
144	Q11	O	Serial data output to the HDMI transmitter and video processor1

D VIDEO BOARD IC3513, 3514 SII9134CTU (HDMI TRANSMITTER)

Pin No.	Pin Name	I/O	Description
1	DE	I	Data enable signal input from the HDMI receiver and video processor1
2	HSYNC	I	Horizontal sync signal input from the HDMI receiver and video processor1
3	VSYNC	I	Vertical sync signal input from the HDMI receiver and video processor1
4	SPDIF	I	S/PDIF signal input from the HDMI receiver
5	MCLK	I	Master clock signal input from the HDMI receiver
6 to 9	SD3 to SD0	I	PCM audio signal input from the HDMI receiver
10	WS	I	L/R sampling clock signal input from the HDMI receiver
11	SCK	I	Bit clock signal input from the HDMI receiver
12	CVCC18	-	Power supply terminal (+1.8V)
13	GND	-	Ground terminal
14	IOVCC33	-	Power supply terminal (+3.3V)
15	DCLK	I	Bit clock signal input from the HDMI receiver
16	DR0	I	L/R sampling clock signal input from the HDMI receiver
17 to 20	DL0, DR1, DL1, DR2	I	PCM audio signal input from the HDMI receiver
21	DL2	I	S/PDIF signal input from the HDMI receiver
22	DR3	I	Not used
23	DL3	I	Not used
24	INT	O	Interrupt signal output to the video system controller
25	RESET#	I	Reset signal input from the video system controller "L": reset
26	AGND	-	Ground terminal
27	EXT_SWG	-	Not used
28	PVCC1	-	Power supply terminal (+1.8V)
29	AGND	-	Ground terminal
30	TXC-	O	TMDS clock (negative) output to the HDMI OUT connector
31	TXC+	O	TMDS clock (positive) output to the HDMI OUT connector
32	AVCC18	-	Power supply terminal (+1.8V)
33	TX0-	O	TMDS data (negative) output to the HDMI OUT connector
34	TX0+	O	TMDS data (positive) output to the HDMI OUT connector
35	AGND	-	Ground terminal
36	TX1-	O	TMDS data (negative) output to the HDMI OUT connector
37	TX1+	O	TMDS data (positive) output to the HDMI OUT connector
38	AVCC18	-	Power supply terminal (+1.8V)
39	TX2-	O	TMDS data (negative) output to the HDMI OUT connector
40	TX2+	O	TMDS data (positive) output to the HDMI OUT connector
41	AGND	-	Ground terminal
42	PVCC2	-	Power supply terminal (+1.8V)
43	AGND	-	Ground terminal
44	AVCC33	-	Power supply terminal (+3.3V)
45	DCCPWR5V	I	Power supply voltage (+5V) input terminal
46	DSCL	O	I2C clock signal output to the HDMI OUT connector
47	DSDA	I/O	I2C data bus with the HDMI OUT connector
48	CSCL	I	I2C clock signal input from the video system controller
49	CSDA	I/O	I2C data bus with the EEPROM, HDMI receiver, video system controller and D/A converter (for video section),
50	CI2CA	-	Not used
51	HPD	I	Hot plug detection signal input from the HDMI OUT connector
52	TMODE	-	Not used
53	IOVCC33	-	Power supply terminal (+3.3V)
54	GND	-	Ground terminal
55	VPP18	-	Power supply terminal (+1.8V)
56 to 63	D35 to D28	I	Serial data input from the HDMI receiver and video processor1
64	CVCC18	-	Power supply terminal (+1.8V)
65	GND	-	Ground terminal
66	IOVCC33	-	Power supply terminal (+3.3V)
67, 68	D27, D26	I	Serial data input from the HDMI receiver and video processor1

Pin No.	Pin Name	I/O	Description
69, 70	D25, D24	I	Serial data input from the HDMI receiver
71 to 75	D23 to D19	I	Serial data input from the HDMI receiver and video processor1
76	CVCC18	-	Power supply terminal (+1.8V)
77 to 81	D18 to D14	I	Serial data input from the HDMI receiver and video processor1
82, 83	D13, D12	I	Serial data input from the HDMI receiver
84 to 86	D11 to D9	I	Serial data input from the HDMI receiver and video processor1
87	GND	-	Ground terminal
88	IDCK	I	Output data clock signal input from the clock generator
89	IOVCC33	-	Power supply terminal (+3.3V)
90 to 98	D8 to D0	I	Serial data input from the HDMI receiver and video processor1
99	CVCC18	-	Power supply terminal (+1.8V)
100	GND	-	Ground terminal

D VIDEO BOARD IC3601 FLI8668-LF-BC (VIDEO PROCESSOR1)

Pin No.	Pin Name	I/O	Description
A1	NC	-	Not used
A2	MSTR1_SDA	O	Power detection signal output to the video system controller
A3	MSTR1_SCL	I	Busy signal input from the video system controller
A4, A5	FSDATA1, FSDATA3	I/O	Two-way data bus with the SD-RAM
A6	FSDQM0	O	Data mask signal output to the SD-RAM (upper byte)
A7 to A10	FSDATA5, FSDATA7, FSDATA9, FSDATA11	I/O	Two-way data bus with the SD-RAM
A11	FSDQM1	O	Data mask signal output to the SD-RAM (lower byte)
A12, A13	FSDATA13, FSDATA15	I/O	Two-way data bus with the SD-RAM
A14	VDDA18_DLL	-	Power supply terminal (+1.8V)
A15, A16	FSDATA17, FSDATA19	I/O	Two-way data bus with the SD-RAM
A17	FSDQS2	O	Data strobe signal output to the SD-RAM (upper byte)
A18 to A21	FSDATA21, FSDATA23, FSDATA25, FSDATA27	I/O	Two-way data bus with the SD-RAM
A22	FSDQS3	O	Data strobe signal output to the SD-RAM (lower byte)
A23, A24	FSDATA29, FSDATA31	I/O	Two-way data bus with the SD-RAM
A25, A26	RPLL_AGND	-	Ground terminal
B1	BDATA0	I	Digital video signal input from the HDMI receiver
B2	OCM_UDO_1	O	Serial data output to the video system controller
B3	OCM_UDI_1	I	Serial data input from the video system controller
B4, B5	FSDATA0, FSDATA2	I/O	Two-way data bus with the SD-RAM
B6	FSDQS0	O	Data strobe signal output to the SD-RAM (upper byte)
B7 to B10	FSDATA4, FSDATA6, FSDATA8, FSDATA10	I/O	Two-way data bus with the SD-RAM
B11	FSDQS1	O	Data strobe signal output to the SD-RAM (lower byte)
B12, B13	FSDATA12, FSDATA14	I/O	Two-way data bus with the SD-RAM
B14	VSSA18_DLL	-	Ground terminal
B15, B16	FSDATA16, FSDATA18	I/O	Two-way data bus with the SD-RAM
B17	FSDQM2	O	Data mask signal output to the SD-RAM (upper byte)
B18 to B21	FSDATA20, FSDATA22, FSDATA24, FSDATA26	I/O	Two-way data bus with the SD-RAM
B22	FSDQM3	O	Data mask signal output to the SD-RAM (lower byte)
B23, B24	FSDATA28, FSDATA30	I/O	Two-way data bus with the SD-RAM
B25	RPLL_DGND	-	Ground terminal
B26	XTAL	O	System clock output terminal Not used
C1 to C3	BDATA3 to BDATA1	I	Digital video signal input from the HDMI receiver
C4	FSCKE	O	Clock enable signal output to the SD-RAM
C5	FSCLKN	O	Clock signal (negative) output to the SD-RAM
C6 to C8	FSADDR8 to FSADDR6	O	Address signal output to the SD-RAM
C9	FSVREF	O	Reference voltage output to the SD-RAM
C10 to C18	FSADDR5, FSADDR12, FSADDR9, FSADDR4, FSADDR11, FSADDR3 to FSADDR0	O	Address signal output to the SD-RAM
C19	FSVREF	O	Reference voltage output to the SD-RAM
C20, C21	FSBKSEL1, FSBKSEL0	O	Bank select signal output to the SD-RAM
C22	FSCS1	O	Chip select signal output terminal Not used
C23	FSWE	O	Write enable signal output to the SD-RAM
C24	FSRAS	O	Row address strobe signal output to the SD-RAM
C25	RPLL_1.8V	-	Power supply terminal (+1.8V)
C26	TCLK	I	System clock input terminal (19.6608 MHz)
D1 to D3	BDATA6 to BDATA4	I	Digital video signal input from the HDMI receiver
D4	DDR_2.5V	-	Power supply terminal (+2.5V)
D5	FSCLKP	O	Clock signal (positive) output to the SD-RAM
D6 to D8	DDR_2.5V	-	Power supply terminal (+2.5V)
D9	FSVREFVSS	-	Ground terminal

Pin No.	Pin Name	I/O	Description
D10 to D15	DDR_2.5V	-	Power supply terminal (+2.5V)
D16	FSADDR10	O	Address signal output to the SD-RAM
D17, D18	DDR_2.5V	-	Power supply terminal (+2.5V)
D19	FSVREFVSS	-	Ground terminal
D20	DDR_2.5V	-	Power supply terminal (+2.5V)
D21	FSCS0	O	Chip select signal output to the SD-RAM
D22, D23	DDR_2.5V	-	Power supply terminal (+2.5V)
D24	FSCAS	O	Column address strobe signal output to the SD-RAM
D25	NC	-	Not used
D26	RPLL_3.3V	-	Power supply terminal (+3.3V)
E1 to E3	BDATA9 to BDATA7	I	Digital video signal input terminal Not used
E4	IO_3.3V	-	Power supply terminal (+3.3V)
E23, E24	PD22, PD23	O	Digital video signal output to the HDMI transmitter and D/A converter (for video section)
E25	LVDS_GND	-	Ground terminal
E26	LVDS_3.3V	-	Power supply terminal (+3.3V)
F1 to F3	BDATA12 to BDATA10	I	Digital video signal input terminal Not used
F4	IO_3.3V	-	Power supply terminal (+3.3V)
F23 to F26	PD18 to PD21	O	Digital video signal output to the HDMI transmitter and D/A converter (for video section)
G1 to G3	BDATA15 to BDATA13	I	Digital video signal input terminal Not used
G4	IO_3.3V	-	Power supply terminal (+3.3V)
G23 to G26	PD14 to PD17	O	Digital video signal output to the HDMI transmitter and D/A converter (for video section)
H1 to H3	BDATA18 to BDATA16	I	Digital video signal input terminal Not used
H4	IO_3.3V	-	Power supply terminal (+3.3V)
H23	LVDS_PLL_GND	-	Ground terminal
H24	LVDS_PLL_3.3V	-	Power supply terminal (+3.3V)
H25	LVDS_GND	-	Ground terminal
H26	LVDS_3.3V	-	Power supply terminal (+3.3V)
J1 to J3	BDATA21 to BDATA19	I	Digital video signal input terminal Not used
J4	IO_3.3V	-	Power supply terminal (+3.3V)
J23, J24	PD12, PD13	O	Digital video signal output to the HDMI transmitter and D/A converter (for video section)
J25	LVDS_GND	-	Ground terminal
J26	LVDS_3.3V	-	Power supply terminal (+3.3V)
K1	BHREF_DE	I	Blanking period signal input terminal Not used
K2, K3	BDATA23, BDATA22	I	Digital video signal input terminal Not used
K4	IO_3.3V	-	Power supply terminal (+3.3V)
K10, K11	CORE_1.8V	-	Power supply terminal (+1.8V)
K12 to K15	D_GND	-	Ground terminal
K16, K17	CORE_1.8V	-	Power supply terminal (+1.8V)
K23 to K26	PD8 to PD11	O	Digital video signal output to the HDMI transmitter and D/A converter (for video section)
L1	IPCLK3	I	Clock signal input terminal Not used
L2	BVS	I	Vertical sync signal input terminal Not used
L3	BHS	I	Horizontal sync signal input terminal Not used
L4	IO_3.3V	-	Power supply terminal (+3.3V)
L10	D_GND	-	Ground terminal
L11	CORE_1.8V	-	Power supply terminal (+1.8V)
L12 to L15	D_GND	-	Ground terminal
L16	CORE_1.8V	-	Power supply terminal (+1.8V)
L17	D_GND	-	Ground terminal
L23 to L26	PD4 to PD7	O	Digital video signal output to the HDMI transmitter
M1	DIP_CLEAN_HS_OUT	O	Horizontal sync signal output terminal Not used
M2	DIP_EXT_CLAMP	-	Not used
M3	DIP_EXT_COAST	-	Not used
M4	IPCLK2	I	Dot clock signal input terminal Not used
M10 to M17	D_GND	-	Ground terminal

Pin No.	Pin Name	I/O	Description
M23	IO_3.3V	-	Power supply terminal (+3.3V)
M24, M25	LVDS_GND	-	Ground terminal
M26	LVDS_3.3V	-	Power supply terminal (+3.3V)
N1	IPCLK0	I	Clock signal input terminal Not used
N2	DIP_RAW_HS_CS	-	Not used
N3	DIP_AODD	-	Not used
N4	DIP_BODD	-	Not used
N10 to N17	D_GND	-	Ground terminal
N23 to N26	PD0 to PD3	O	Digital video signal output to the HDMI transmitter
P1 to P3	ADATA2 to ADATA0	I	Digital video signal input from the HDMI receiver
P4	IPCLK1	I	Output data clock signal input from the clock generator
P10 to P17	D_GND	-	Ground terminal
P23	IO_3.3V	-	Power supply terminal (+3.3V)
P24	DCLK	O	Output data clock signal output to the clock generator
P25	DHS	O	Horizontal sync signal output to the HDMI transmitter and D/A converter (for video section)
P26	DEN	O	Data enable signal output to the HDMI transmitter and D/A converter (for video section)
R1 to R4	ADATA6 to ADATA3	I	Digital video signal input from the HDMI receiver
R10 to R17	D_GND	-	Ground terminal
R23	JTAG_BS_TDI	O	Digital video signal output to the HDMI transmitter
R24	JTAG_BS_RST	O	Digital video signal output to the HDMI transmitter
R25	JTAG_BS_TCK	O	Digital video signal output to the HDMI transmitter
R26	DVS	O	Vertical sync signal output to the HDMI transmitter and D/A converter (for video section)
T1 to T4	ADATA10 to ADATA7	I	Digital video signal input from the HDMI receiver
T10	D_GND	-	Ground terminal
T11	CORE_1.8V	-	Power supply terminal (+1.8V)
T12 to T15	D_GND	-	Ground terminal
T16, T17	CORE_1.8V	-	Power supply terminal (+1.8V)
T23	IO_3.3V	-	Power supply terminal (+3.3V)
T24	JTAG_BS_TMS	O	Digital video signal output to the HDMI transmitter
T25	JTAG_BS_TDO	O	Digital video signal output to the HDMI transmitter
T26	GPIO_44	O	Digital video signal output to the HDMI transmitter
U1 to U4	ADATA14 to ADATA11	O	Digital video signal output to the HDMI transmitter
U10, U11	CORE_1.8V	-	Power supply terminal (+1.8V)
U12 to U15	D_GND	-	Ground terminal
U16, U17	CORE_1.8V	-	Power supply terminal (+1.8V)
U23, U24	PWM1, PWM2	-	Not used
U25	PPWR	-	Not used
U26	PBIAS	-	Not used
V1 to V4	ADATA18 to ADATA15	O	Digital video signal output to the HDMI transmitter
V23	IO_3.3V	-	Power supply terminal (+3.3V)
V24	PWM0	-	Not used
V25	SLAVE_SDA	-	Not used
V26	SLAVE_SCL	-	Not used
W1 to W4	ADATA22 to ADATA19	O	Digital video signal output to the HDMI transmitter
W23	OCM_INT1	-	Not used
W24	OCM_TIMER1	-	Not used
W25	OCM_UDI_0	-	Not used
W26	ODM_UDO_0	-	Not used
Y1	AVS	I	Vertical sync signal input from the HDMI receiver
Y2	AHS	I	Horizontal sync signal input from the HDMI receiver
Y3	AHREF_DE	I	Data enable signal input from the HDMI receiver
Y4	ADATA23	I	Digital video signal input from the HDMI receiver
Y23	IO_3.3V	-	Power supply terminal (+3.3V)

Pin No.	Pin Name	I/O	Description
Y24	OCM_INT2	-	Not used
Y25	VGA1_SDA	-	Not used
Y26	VGA1_SCL	-	Not used
AA1	NC	-	Not used
AA2 to AA4	DGND_ADC	-	Ground terminal
AA23	MSTR0_SDA	I/O	Two-way data bus with the EEPROM
AA24	MSTR0_SCL	O	Serial clock signal output to the EEPROM
AA25	VGA0_SDA	-	Not used
AA26	VGA0_SCL	-	Not used
AB1	A1P	I	Component video signal (PR/CR) input from the COMPONENT VIDEO IN jack
AB2	SV1P	I	Analog video signal (R) input from the OSD controller
AB3	AGND_ADC	-	Ground terminal
AB4	ADC_1.8V	-	Power supply terminal (+1.8V)
AB23	IO_3.3V	-	Power supply terminal (+3.3V)
AB24	IRO	-	Not used
AB25	MSTR2_SDA	-	Not used
AB26	MSTR2_SCL	-	Not used
AC1	C1P	I	Component video signal (Y) input from the COMPONENT VIDEO IN jack
AC2	B1P	I	Component video signal (PB/CB) input from the COMPONENT VIDEO IN jack
AC3	AGND_ADC	-	Ground terminal
AC4, AC5	ADC_1.8V	-	Power supply terminal (+1.8V)
AC6	AGND_ADC	-	Ground terminal
AC7	VOUT2	-	Not used
AC8	AGND_ADC	-	Ground terminal
AC9	LBADC_3.3V	-	Power supply terminal (+3.3V)
AC10	LBADC_IN4	-	Not used
AC11	LBADC_GND	-	Ground terminal
AC12	AVSIN_DATA	-	Not used
AC13	EXTOSD_HS	-	Not used
AC14	IO_3.3V	-	Power supply terminal (+3.3V)
AC15	OCMADDR18	O	Address signal output to the flash memory
AC16	IO_3.3V	-	Power supply terminal (+3.3V)
AC17	OCMADDR11	O	Address signal output to the flash memory
AC18	IO_3.3V	-	Power supply terminal (+3.3V)
AC19	OCMADDR4	O	Address signal output to the flash memory
AC20	IO_3.3V	-	Power supply terminal (+3.3V)
AC21	OCMDATA13	I/O	Two-way data bus with the flash memory
AC22	IO_3.3V	-	Power supply terminal (+3.3V)
AC23	OCMDATA6	I/O	Two-way data bus with the flash memory
AC24	OCM_CS2N	O	Chip select signal output terminal Not used
AC25	OCN_RE_N	O	Read enable signal output to the flash memory
AC26	OCN_WE_N	O	Write enable signal output to the flash memory
AD1	AN	-	Not used
AD2	AGND_ADC	-	Ground terminal
AD3 to AD5	ADC1_3.3V	-	Power supply terminal (+3.3V)
AD6, AD7	ADC2_3.3V	-	Power supply terminal (+3.3V)
AD8	AGND_ADC	-	Ground terminal
AD9	RESET	I	Reset signal input from the video system controller "L": reset
AD10	LBADC_IN3	-	Not used
AD11	LBADC_RETURN	-	Not used
AD12	AVSIN_WORDSEL	-	Not used
AD13	EXTOSD_VS	-	Not used
AD14	AVSOUT_DATA	-	Not used

STR-DA5400ES

Pin No.	Pin Name	I/O	Description
AD15 to AD20	OCMADDR19, OCMADDR15, OCMADDR12, OCMADDR8, OCMADDR5, OCMADDR1	O	Address signal output to the flash memory
AD21 to AD23	OCMDATA14, OCMDATA10, OCMDATA7	I/O	Two-way data bus with the flash memory
AD24	ROM_CS_N	O	Chip enable signal output to the flash memory
AD25, AD26	OCM_CS0N, OCM_CS1N	O	Chip select signal output terminal Not used
AE1	SV2P	I	Analog video signal (G) input from the OSD controller
AE2	B2P	-	Not used
AE3	AGND_ADC	-	Ground terminal
AE4	SV3P	I	Analog video signal (B) input from the OSD controller
AE5	B3P	I	Composite video signal input from the EXT VIDEO IN jack
AE6	AGND_ADC	-	Ground terminal
AE7	SV4P	-	Not used
AE8	BN2	-	Not used
AE9	AGND_ADC	-	Ground terminal
AE10, AE11	LBADC_IN2, LBADC_IN6	-	Not used
AE12	AIP_RAW_VS	I	Vertical sync signal input from the OSD controller
AE13	AVSOUT_SCL	-	Not used
AE14	AVSOUT_WORDSEL	-	Not used
AE15 to AE20	OCMADDR20, OCMADDR16, OCMADDR13, OCMADDR9, OCMADDR6, OCMADDR2	O	Address signal output to the flash memory
AE21 to AE26	OCMDATA15, OCMDATA11, OCMDATA8, OCMDATA2 to OCMDATA0	I/O	Two-way data bus with the flash memory
AF1	A2P	-	Not used
AF2	C2P	-	Not used
AF3	BN	-	Not used
AF4	A3P	I	Composite video signal input from VIDEO IN 1 jack
AF5	C3P	I	Composite video signal input from VIDEO IN 2 jack
AF6	CN	-	Not used
AF7	AN2	-	Not used
AF8	CN2	-	Not used
AF9	SVN	-	Not used
AF10	LBADC_IN1	I	Wake-up signal input from the video system controller
AF11	LBADC_IN5	-	Not used
AF12	AIP_RAW_HS_CS	I	Horizontal sync signal input from the OSD controller
AF13	EXTOSD_CLK	-	Not used
AF14	AVSIN_SCL	-	Not used
AF15 to AF20	OCMADDR21, OCMADDR17, OCMADDR14, OCMADDR10, OCMADDR7, OCMADDR3	O	Address signal output to the flash memory
AF21	OCMADDR0	O	Address signal output terminal Not used
AF22 to AF26	OCMDATA12, OCMDATA9, OCMDATA5 to OCMDATA3	I/O	Two-way data bus with the flash

D VIDEO BOARD IC3604 YGV629-VZ (OSD CONTROLLER)

Pin No.	Pin Name	I/O	Description
1	PLLVD	-	Power supply terminal (+3.3V)
2	FILTER	I	Filter connection terminal for internal PLL
3	PLLVS	-	Ground terminal
4	NC	-	Not used
5 to 10	PLLCTL5 to PLLCTL0	I	PLL setting terminal
11	DTCKS_N	I	Clock signal input terminal Not used
12	DTCK_IN	I	Clock signal input terminal Not used
13	VSS	-	Ground terminal
14	VDD	-	Power supply terminal (+3.3V)
15 to 22	D0 to D7	I/O	Two-way data bus with the video system controller and S-RAM
23	WAIT_N	O	Wait signal output to the video system controller
24	READY_N	O	Ready signal output terminal Not used
25	INT_N	O	Interrupt signal output to the video system controller
26	VDD	-	Power supply terminal (+3.3V)
27	VSS	-	Ground terminal
28	CS_N	I	Chip enable signal input from the video system controller
29	WR_N	I	Write enable signal input from the video system controller
30	RD_N	I	Read enable signal input from the video system controller
31 to 33	PS2 to PS0	I	Address signal input from the video system controller
34	SDOUT	O	Serial data output terminal Not used
35	SDIN	I	Serial data input terminal Not used
36	SCS_N	I	Chip select signal input terminal Not used
37	SCLK	I	Serial data transfer clock signal input terminal Not used
38	SER_N	I	CPU interface selection setting terminal Fixed at "H" in this set
39	RESET_N	I	Reset signal input from the video system controller "L": reset
40	VSS	-	Ground terminal
41	VDD	-	Power supply terminal (+3.3V)
42	MA0	O	Address signal output terminal Not used
43 to 47	MA1 to MA5	O	Address signal output to the flash memory
48	VSS	-	Ground terminal
49 to 54	MA6 to MA11	O	Address signal output to the flash memory
55	VDD	-	Power supply terminal (+3.3V)
56	VSS	-	Ground terminal
57 to 62	MA12 to MA17	O	Address signal output to the flash memory
63	VSS	-	Ground terminal
64 to 70	MA18 to MA24	O	Address signal output to the flash memory
71	VDD	-	Power supply terminal (+3.3V)
72	VSS	-	Ground terminal
73	MWE_N	O	Write enable signal output to the flash memory
74	MOE_N	O	Output enable signal output to the flash memory
75 to 80	MD15, MD7, MD14, MD6, MD13, MD5	I/O	Two-way data bus with the flash memory
81	VSS	-	Ground terminal
82	VDD	-	Power supply terminal (+3.3V)
83 to 90	MD12, MD4, MD11, MD3, MD10, MD2, MD9, MD1	I/O	Two-way data bus with the flash memory
91	VSS	-	Ground terminal
92	VDD	-	Power supply terminal (+3.3V)
93, 94	MD8, MD0	I/O	Two-way data bus with the flash memory
95	RAHZ_N	-	Not used
96 to 98	XTEST2 to XTEST0	-	Not used
99	VSIN_N	I	Vertical sync signal input terminal Not used
100	HSIN_N	I	Horizontal sync signal input terminal Not used
101	NC	-	Not used

Pin No.	Pin Name	I/O	Description
102	AVDD	-	Power supply terminal (+3.3V)
103	R	O	Analog video (R) signal output to the video processor1
104	G	O	Analog video (G) signal output to the video processor1
105	B	O	Analog video (B) signal output to the video processor1
106	IREF	I	Reference voltage (+3.3V) input terminal
107	AVSS	-	Ground terminal
108	NC	-	Not used
109	VDD	-	Power supply terminal (+3.3V)
110	VSS	-	Ground terminal
111 to 116	DR0 to DR5	O	Digital video (R) signal output terminal Not used
117	VSS	-	Ground terminal
118	VDD	-	Power supply terminal (+3.3V)
119 to 124	DG0 to DG5	O	Digital video (G) signal output terminal Not used
125	VSS	-	Ground terminal
126	VDD	-	Power supply terminal (+3.3V)
127 to 132	DB0 to DB5	O	Digital video (B) signal output terminal Not used
133	VSS	-	Ground terminal
134	FSC	-	Not used
135	YS_N	-	Not used
136	VSYNC_N	O	Vertical sync signal output to the video processor1
137	HSYNC_N	O	Horizontal sync signal output to the video processor1
138	BLANK_N	O	Blanking period signal output terminal Not used
139	DOTCLK	O	Dot clock signal output terminal Not used
140	VDD	-	Power supply terminal (+3.3V)
141	XIN	I	System clock input terminal (33.2 MHz)
142	XOUT	O	System clock output terminal (33.2 MHz)
143	VSS	-	Ground terminal
144	NC	-	Not used

D VIDEO BOARD IC3606 FLI8638-LF (VIDEO PROCESSOR2)

Pin No.	Pin Name	I/O	Description
A1	NC	-	Not used
A2	MSTR1_SDA	O	Power detection signal output to the video system controller
A3	MSTR1_SCL	O	Busy signal output to the video system controller
A4, A5	FSDATA1, FSDATA3	I/O	Two-way data bus with the SD-RAM
A6	FSDQM0	O	Data mask signal output to the SD-RAM (upper byte)
A7 to A10	FSDATA5, FSDATA7, FSDATA9, FSDATA11	I/O	Two-way data bus with the SD-RAM
A11	FSDQM1	O	Data mask signal output to the SD-RAM (lower byte)
A12, A13	FSDATA13, FSDATA15	I/O	Two-way data bus with the SD-RAM
A14	VDDA18_DLL	-	Power supply terminal (+1.8V)
A15, A16	FSDATA17, FSDATA19	I/O	Two-way data bus with the SD-RAM
A17	FSDQS2	O	Data strobe signal output to the SD-RAM (upper byte)
A18 to A21	FSDATA21, FSDATA23, FSDATA25, FSDATA27	I/O	Two-way data bus with the SD-RAM
A22	FSDQS3	O	Data strobe signal output to the SD-RAM (lower byte)
A23, A24	FSDATA29, FSDATA31	I/O	Two-way data bus with the SD-RAM
A25, A26	RPLL_AGND	-	Ground terminal
B1	BDATA0	I	Digital video signal input terminal Not used
B2	OCM_UDO_1	O	Serial data output to the video system controller
B3	OCM_UDI_1	I	Serial data input from the video system controller
B4, B5	FSDATA0, FSDATA2	I/O	Two-way data bus with the SD-RAM
B6	FSDQS0	O	Data strobe signal output to the SD-RAM (upper byte)
B7 to B10	FSDATA4, FSDATA6, FSDATA8, FSDATA10	I/O	Two-way data bus with the SD-RAM
B11	FSDQS1	O	Data strobe signal output to the SD-RAM (lower byte)
B12, B13	FSDATA12, FSDATA14	I/O	Two-way data bus with the SD-RAM
B14	VSSA18_DLL	-	Ground terminal
B15, B16	FSDATA16, FSDATA18	I/O	Two-way data bus with the SD-RAM
B17	FSDQM2	O	Data mask signal output to the SD-RAM (upper byte)
B18 to B21	FSDATA20, FSDATA22, FSDATA24, FSDATA26	I/O	Two-way data bus with the SD-RAM
B22	FSDQM3	O	Data mask signal output to the SD-RAM (lower byte)
B23, B24	FSDATA28, FSDATA30	I/O	Two-way data bus with the SD-RAM
B25	RPLL_DGND	-	Ground terminal
B26	XTAL	O	System clock output terminal Not used
C1 to C3	BDATA3 to BDATA1	I	Digital video signal input terminal Not used
C4	FSCKE	O	Clock enable signal output to the SD-RAM
C5	FSCLKN	O	Clock signal (negative) output to the SD-RAM
C6 to C8	FSADDR8 to FSADDR6	O	Address signal output to the SD-RAM
C9	FSVREF	O	Reference voltage output to the SD-RAM
C10 to C18	FSADDR5, FSADDR12, FSADDR9, FSADDR4, FSADDR11, FSADDR3 to FSADDR0	O	Address signal output to the SD-RAM
C19	FSVREF	O	Reference voltage output to the SD-RAM
C20, C21	FSBKSEL1, FSBKSEL0	O	Bank select signal output to the SD-RAM
C22	FSCS1	O	Chip select signal output terminal Not used
C23	FSWE	O	Write enable signal output to the SD-RAM
C24	FSRAS	O	Row address strobe signal output to the SD-RAM
C25	RPLL_1.8V	-	Power supply terminal (+1.8V)
C26	TCLK	I	System clock input terminal (19.6608 MHz)
D1 to D3	BDATA6to BDATA4	I	Digital video signal input terminal Not used
D4	DDR_2.5V	-	Power supply terminal (+2.5V)
D5	FSCLKP	O	Clock signal (positive) output to the SD-RAM
D6 to D8	DDR_2.5V	-	Power supply terminal (+2.5V)

Pin No.	Pin Name	I/O	Description
D9	FSVREFVSS	-	Ground terminal
D10 to D15	DDR_2.5V	-	Power supply terminal (+2.5V)
D16	FSADDR10	O	Address signal output to the SD-RAM
D17, D18	DDR_2.5V	-	Power supply terminal (+2.5V)
D19	FSVREFVSS	-	Ground terminal
D20	DDR_2.5V	-	Power supply terminal (+2.5V)
D21	FSCS0	O	Chip select signal output to the SD-RAM
D22, D23	DDR_2.5V	-	Power supply terminal (+2.5V)
D24	FSCAS	O	Column address strobe signal output to the SD-RAM
D25	NC	-	Not used
D26	RPLL_3.3V	-	Power supply terminal (+3.3V)
E1 to E3	BDATA9 to BDATA7	I	Digital video signal input terminal Not used
E4	IO_3.3V	-	Power supply terminal (+3.3V)
E23, E24	PD22, PD23	O	Digital video signal output terminal Not used
E25	LVDS_GND	-	Ground terminal
E26	LVDS_3.3V	-	Power supply terminal (+3.3V)
F1 to F3	BDATA12 to BDATA10	I	Digital video signal input terminal Not used
F4	IO_3.3V	-	Power supply terminal (+3.3V)
F23 to F26	PD18 to PD21	O	Digital video signal output to the D/A converter (for video section)
G1 to G3	BDATA15 to BDATA13	I	Digital video signal input terminal Not used
G4	IO_3.3V	-	Power supply terminal (+3.3V)
G23 to G26	PD14 to PD17	O	Digital video signal output to the D/A converter (for video section)
H1 to H3	BDATA18 to BDATA16	I	Digital video signal input terminal Not used
H4	IO_3.3V	-	Power supply terminal (+3.3V)
H23	LVDS_PLL_GND	-	Ground terminal
H24	LVDS_PLL_3.3V	-	Power supply terminal (+3.3V)
H25	LVDS_GND	-	Ground terminal
H26	LVDS_3.3V	-	Power supply terminal (+3.3V)
J1 to J3	BDATA21 to BDATA19	I	Digital video signal input terminal Not used
J4	IO_3.3V	-	Power supply terminal (+3.3V)
J23, J24	PD12, PD13	O	Digital video signal output to D/A converter (for video section)
J25	LVDS_GND	-	Ground terminal
J26	LVDS_3.3V	-	Power supply terminal (+3.3V)
K1	BHREF_DE	I	Blanking period signal input terminal Not used
K2, K3	BDATA23, BDATA22	I	Digital video signal input terminal Not used
K4	IO_3.3V	-	Power supply terminal (+3.3V)
K10, K11	CORE_1.8V	-	Power supply terminal (+1.8V)
K12 to K15	D_GND	-	Ground terminal
K16, K17	CORE_1.8V	-	Power supply terminal (+1.8V)
K23 to K26	PD8 to PD11	O	Digital video signal output to the D/A converter (for video section)
L1	IPCLK3	I	Clock signal input terminal Not used
L2	BVS	I	Vertical sync signal input terminal Not used
L3	BHS	I	Horizontal sync signal input terminal Not used
L4	IO_3.3V	-	Power supply terminal (+3.3V)
L10	D_GND	-	Ground terminal
L11	CORE_1.8V	-	Power supply terminal (+1.8V)
L12 to L15	D_GND	-	Ground terminal
L16	CORE_1.8V	-	Power supply terminal (+1.8V)
L17	D_GND	-	Ground terminal
L23 to L26	PD4 to PD7	O	Digital video signal output terminal Not used
M1	DIP_CLEAN_HS_OUT	O	Horizontal sync signal output terminal Not used
M2	DIP_EXT_CLAMP	-	Not used
M3	DIP_EXT_COAST	-	Not used
M4	IPCLK2	I	Clock signal input terminal Not used

Pin No.	Pin Name	I/O	Description
M10 to M17	D_GND	-	Ground terminal
M23	IO_3.3V	-	Power supply terminal (+3.3V)
M24, M25	LVDS_GND	-	Ground terminal
M26	LVDS_3.3V	-	Power supply terminal (+3.3V)
N1	IPCLK0	I	Clock signal input terminal Not used
N2	DIP_RAW_HS_CS	-	Not used
N3	DIP_AODD	-	Not used
N4	DIP_BODD	-	Not used
N10 to N17	D_GND	-	Ground terminal
N23 to N26	PD0 to PD3	O	Digital video signal output terminal Not used
P1 to P3	ADATA2 to ADATA0	I	Digital video signal input terminal Not used
P4	IPCLK1	I	Clock signal input terminal Not used
P10 to P17	D_GND	-	Ground terminal
P23	IO_3.3V	-	Power supply terminal (+3.3V)
P24	DCLK	O	Output data clock signal output to the D/A converter (for video section)
P25	DHS	O	Horizontal sync signal output to the D/A converter (for video section)
P26	DEN	O	Data enable signal output to the D/A converter (for video section)
R1 to R4	ADATA6 to ADATA3	I	Digital video signal input terminal Not used
R10 to R17	D_GND	-	Ground terminal
R23	JTAG_BS_TDI	-	Not used
R24	JTAG_BS_RST	-	Not used
R25	JTAG_BS_TCK	-	Not used
R26	DVS	O	Vertical sync signal output to the D/A converter (for video section)
T1 to T4	ADATA10 to ADATA7	I	Digital video signal input terminal Not used
T10	D_GND	-	Ground terminal
T11	CORE_1.8V	-	Power supply terminal (+1.8V)
T12 to T15	D_GND	-	Ground terminal
T16, T17	CORE_1.8V	-	Power supply terminal (+1.8V)
T23	IO_3.3V	-	Power supply terminal (+3.3V)
T24	JTAG_BS_TMS	-	Not used
T25	JTAG_BS_TDO	-	Not used
T26	GPIO_44	-	Not used
U1 to U4	ADATA14 to ADATA11	I	Digital video signal input terminal Not used
U10, U11	CORE_1.8V	-	Power supply terminal (+1.8V)
U12 to U15	D_GND	-	Ground terminal
U16, U17	CORE_1.8V	-	Power supply terminal (+1.8V)
U23, U24	PWM1, PWM2	-	Not used
U25	PPWR	-	Not used
U26	PBIAS	-	Not used
V1 to V4	ADATA18 to ADATA15	I	Digital video signal input terminal Not used
V23	IO_3.3V	-	Power supply terminal (+3.3V)
V24	PWM0	-	Not used
V25	SLAVE_SDA	-	Not used
V26	SLAVE_SCL	-	Not used
W1 to W4	ADATA22 to ADATA19	I	Digital video signal input terminal Not used
W23	OCM_INT1	-	Not used
W24	OCM_TIMER1	-	Not used
W25	OCM_UDI_0	-	Not used
W26	ODM_UDO_0	-	Not used
Y1	AVS	I	Vertical sync signal input terminal Not used
Y2	AHS	I	Horizontal sync signal input terminal Not used
Y3	AHREF_DE	I	Data enable signal input terminal Not used

STR-DA5400ES

Pin No.	Pin Name	I/O	Description
Y4	ADATA23	I	Digital video signal input terminal Not used
Y23	IO_3.3V	-	Power supply terminal (+3.3V)
Y24	OCM_INT2	-	Not used
Y25	VGA1_SDA	-	Not used
Y26	VGA1_SCL	-	Not used
AA1	NC	-	Not used
AA2 to AA4	DGND_ADC	-	Ground terminal
AA23	MSTR0_SDA	I/O	Two-way data bus with the EEPROM
AA24	MSTR0_SCL	O	Serial clock signal output to the EEPROM
AA25	VGA0_SDA	-	Not used
AA26	VGA0_SCL	-	Not used
AB1	A1P	I	Video signal (PR/CR) input from the COMPONENT VIDEO IN jack
AB2	SV1P	-	Not used
AB3	AGND_ADC	-	Ground terminal
AB4	ADC_1.8V	-	Power supply terminal (+1.8V)
AB23	IO_3.3V	-	Power supply terminal (+3.3V)
AB24	IRO	-	Not used
AB25	MSTR2_SDA	-	Not used
AB26	MSTR2_SCL	-	Not used
AC1	C1P	I	Video signal (Y) input from the COMPONENT VIDEO IN jack
AC2	B1P	I	Video signal (PB/CB) input from COMPONENT VIDEO IN jack
AC3	AGND_ADC	-	Ground terminal
AC4, AC5	ADC_1.8V	-	Power supply terminal (+1.8V)
AC6	AGND_ADC	-	Ground terminal
AC7	VOUT2	-	Not used
AC8	AGND_ADC	-	Ground terminal
AC9	LBADC_3.3V	-	Power supply terminal (+3.3V)
AC10	LBADC_IN4	-	Not used
AC11	LBADC_GND	-	Ground terminal
AC12	AVSIN_DATA	-	Not used
AC13	EXTOSD_HS	-	Not used
AC14	IO_3.3V	-	Power supply terminal (+3.3V)
AC15	OCMADDR18	O	Address signal output to the flash memory
AC16	IO_3.3V	-	Power supply terminal (+3.3V)
AC17	OCMADDR11	O	Address signal output to the flash memory
AC18	IO_3.3V	-	Power supply terminal (+3.3V)
AC19	OCMADDR4	O	Address signal output to the flash memory
AC20	IO_3.3V	-	Power supply terminal (+3.3V)
AC21	OCMDATA13	I/O	Two-way data bus with the flash memory
AC22	IO_3.3V	-	Power supply terminal (+3.3V)
AC23	OCMDATA6	I/O	Two-way data bus with the flash memory
AC24	OCM_CS2N	O	Chip select signal output terminal Not used
AC25	OCN_RE_N	O	Read enable signal output to the flash memory
AC26	OCN_WE_N	O	Write enable signal output to the flash memory
AD1	AN	-	Not used
AD2	AGND_ADC	-	Ground terminal
AD3 to AD5	ADC1_3.3V	-	Power supply terminal (+3.3V)
AD6, AD7	ADC2_3.3V	-	Power supply terminal (+3.3V)
AD8	AGND_ADC	-	Ground terminal
AD9	RESET	I	Reset signal input from the video system controller "L": reset
AD10	LBADC_IN3	-	Not used
AD11	LBADC_RETURN	-	Not used
AD12	AVSIN_WORDSEL	-	Not used
AD13	EXTOSD_VS	-	Not used

Pin No.	Pin Name	I/O	Description
AD14	AVSOUT_DATA	-	Not used
AD15 to AD20	OCMADDR19, OCMADDR15, OCMADDR12, OCMADDR8, OCMADDR5, OCMADDR1	O	Address signal output to the flash memory
AD21 to AD23	OCMDATA14, OCMDATA10, OCMDATA7	I/O	Two-way data bus with the flash memory
AD24	ROM_CS_N	O	Chip enable signal output to the flash memory
AD25, AD26	OCM_CS0N, OCM_CS1N	O	Chip select signal output terminal Not used
AE1	SV2P	-	Not used
AE2	B2P	-	Not used
AE3	AGND_ADC	-	Ground terminal
AE4	SV3P	-	Not used
AE5	B3P	-	Not used
AE6	AGND_ADC	-	Ground terminal
AE7	SV4P	-	Not used
AE8	BN2	-	Not used
AE9	AGND_ADC	-	Ground terminal
AE10, AE11	LBADC_IN2, LBADC_IN6	-	Not used
AE12	AIP_RAW_VS	I	Vertical sync signal input terminal Not used
AE13	AVSOUT_SCL	-	Not used
AE14	AVSOUT_WORDSEL	-	Not used
AE15 to AE20	OCMADDR20, OCMADDR16, OCMADDR13, OCMADDR9, OCMADDR6, OCMADDR2	O	Address signal output to the flash memory
AE21 to AE26	OCMDATA15, OCMDATA11, OCMDATA8, OCMDATA2 to OCMDATA0	I/O	Two-way data bus with the flash memory
AF1	A2P	-	-Not used
AF2	C2P	-	-Not used
AF3	BN	-	Not used
AF4	A3P	I	Composite video signal input from the VIDEO 1 IN jack
AF5	C3P	-	-Not used
AF6	CN	-	Not used
AF7	AN2	-	Not used
AF8	CN2	-	Not used
AF9	SVN	-	Not used
AF10	LBADC_IN1	I	Wake-up signal input from the video system controller
AF11	LBADC_IN5	-	Not used
AF12	AIP_RAW_HS_CS	I	Horizontal sync signal input terminal Not used
AF13	EXTOSD_CLK	-	Not used
AF14	AVSIN_SCL	-	Not used
AF15 to AF20	OCMADDR21, OCMADDR17, OCMADDR14, OCMADDR10, OCMADDR7, OCMADDR3	O	Address signal output to the flash memory
AF21	OCMADDR0	O	Address signal output terminal Not used
AF22 to AF26	OCMDATA12, OCMDATA9, OCMDATA5 to OCMDATA3	I/O	Two-way data bus with the flash memory

D VIDEO BOARD IC3610 MB91F467RAPMC-GE1 (VIDEO SYSTEM CONTROLLER)

Pin No.	Pin Name	I/O	Description
1	GND	-	Ground terminal
2	STOP IN	I	AC off detection signal input terminal "L": AC off
3	DAC CLOCK SEL	O	Clock control signal output to the frequency multiplier for D/A converter (for video section)
4	MAIN UCOM SDA	I/O	Two-way I2C data bus with the system controller
5	MAIN UCOM SCL	I/O	Two-way I2C clock bus with the system controller
6	DAC SDA	I/O	Two-way I2C data bus with the D/A converter (for video section)
7	DAC SCL	O	I2C clock signal output to the D/A converter (for video section)
8, 9	EDID_SEL0, EDID_SEL1	O	Input data selection signal output terminal
10	NO USE	-	Not used
11, 12	+3.3V	-	Power supply terminal (+3.3V)
13	GND	-	Ground terminal
14	C_1	-	External capacitor connection terminal for internal regulator
15	YAMAHA FLASH CE	O	Chip enable signal output terminal Not used
16, 17	NO USE	-	Not used
18	YAMAHA CE	O	Chip enable signal output to the OSD controller
19	SRAM CE	O	Chip enable signal output to the S-RAM
20	NO USE	-	Not used
21	YAMAHA RESET	O	Reset signal output to the flash memory and OSD controller "L": reset
22	YAMAHA WAIT_N	I	Wait signal input from the OSD controller
23	YAMAHA READY_N	I	Ready signal input terminal Not used
24	NO USE	-	Not used
25	SRAM OE, UB, LB/ YAMAHA RD_N	O	Read enable signal output to the OSD controller and S-RAM
26	SRAM LB, WE	O	Lower-byte control signal and write enable signal output to the S-RAM
27	SRAM UB, WE/ YAMAHA WR_N	O	Write enable signal output to the OSD controller Upper-byte control signal and write enable signal output to the S-RAM
28, 29	NO USE	-	Not used
30	TX_RST1	O	Reset signal output to the HDMI transmitter "L": reset
31	TX_5VPWR1	O	Power supply on/off control signal output terminal for HDMI OUT connector "H": power on
32	VDAC_RESET	O	Reset signal output to the D/A converter (for video section) "L": reset
33, 34	NO USE	-	Not used
35	RX_RST	O	Reset signal output to the HDMI receiver "L": reset
36	+3.3V	-	Power supply terminal (+3.3V)
37	C_2	-	External capacitor connection terminal for internal regulator
38	GND	-	Ground terminal
39	X0	I	Main system clock input terminal (4 MHz)
40	X1	O	Main system clock output terminal (4 MHz)
41	GND	-	Ground terminal
42	X0A	I	Sub system clock input terminal Not used
43	X1A	O	Sub system clock output terminal Not used
44	+3.3V	-	Power supply terminal (+3.3V)
45	GND	-	Ground terminal
46 to 53	SRAM IO0 to SRAM IO7	I/O	Two-way data bus with the S-RAM
54 to 56	SRAM IO8/YAMAHA D0 to SRAM IO10/ YAMAHA D2	I/O	Two-way data bus with the OSD controller and S-RAM
57	+3.3V	-	Power supply terminal (+3.3V)
58	GND	-	Ground terminal
59 to 63	SRAM IO11/YAMAHA D3 to SRAM IO15/ YAMAHA D7	I/O	Two-way data bus with the OSD controller and S-RAM
64	YAMAHA PS0	O	Address signal output to the OSD controller
65, 66	SRAM A0/YAMAHA PS1, SRAM A1/ YAMAHA PS2	O	Address signal output to the OSD controller and S-RAM

Pin No.	Pin Name	I/O	Description
67 to 72	SRAM A2 to SRAM A7	O	Address signal output to the S-RAM
73	+3.3V	-	Power supply terminal (+3.3V)
74	GND	-	Ground terminal
75 to 83	SRAM A8 to SRAM A16	O	Address signal output to the S-RAM
84 to 87	NO USE	-	Not used
88	GND	-	Ground terminal
89	+3.3V	-	Power supply terminal (+3.3V)
90, 91	NO USE	-	Not used
92	NON_LPCM	O	Non-LPCM setting signal output terminal "L": LPCM
93	1444_HPD1	O	Hot plug detection control signal output to the HDMI input selector
94	1444_OEB1	O	Output enable signal output to the HDMI input selector
95, 96	+5V_SELA, +5V_SELB	O	HDMI +5V power input selection signal output terminal
97	NO USE	-	Not used
98	AUDIO MUTE REQ	O	Audio muting signal output terminal
99 to 101	1444_SELA1 to 1444_SELC1	O	HDMI input selection signal output to the HDMI input selector
102	1444_HPD2	O	Hot plug detection control signal output to the HDMI input selector
103	NO USE	-	Not used
104	1444_OEB25	O	Output enable signal output to the HDMI input selector
105, 106	NO USE	-	Not used
107 to 109	1444_SELA2 to 1444_SELC2	O	HDMI input selection signal output to the HDMI input selector
110	MAIN_FARO_WAKE	O	Wake-up signal output to the video processor1
111	FRONT_HPD	O	Not used
112	EDIO2_SEL	O	Not used
113	2nd_FARO_WAKE	O	Wake-up signal output to the video processor2
114	GND	-	Ground terminal
115, 116	+3.3V	-	Power supply terminal (+3.3V)
117	UC3V_SDA	I/O	I2C data bus with the EEPROM, HDMI receiver, HDMI transmitter and D/A converter (for video section)
118	UC3V_SCL	O	I2C clock signal output to the EEPROM, HDMI receiver, HDMI transmitter and D/A converter (for video section)
119	YAMAHA_INT_N	I	Interrupt signal input from the OSD controller
120	NO USE	-	Not used
121	RX_INT	I	Interrupt signal input from the HDMI receiver
122	NO USE	-	Not used
123	TX_INT1	I	Interrupt signal input from the HDMI transmitter
124	NO USE	-	Not used
125	Faroudjia Power DETECT	I	Power detection signal input from the video processor1
126	Faroudjia UCOM RESET	O	Reset signal output to the video processor1 and flash memory "L": reset
127	MD3	-	Mode setting terminal Fixed at "L" in this set
128	MD2	I	Mode setting signal input from the system controller
129, 130	MD1, MD0	-	Mode setting terminal Fixed at "L" in this set
131	INITX	I	Reset signal input from the system controller "L": reset
132	GND	-	Ground terminal
133	+5V	-	Power supply terminal (+3.3V)
134	Flash Update RX	I	Serial data input terminal
135	Flash Update TX	O	Serial data output terminal
136	ENDFLAG	O	End flag output to the system controller
137, 138	NO USE	-	Not used
139	MAIN UCOM UART BUSY	I	Busy signal input from the system controller
140	Faroudjia UCOM UART RX	I	Serial data input from the video processor1
141	Faroudjia UCOM UART TX	O	Serial data output to the video processor1

STR-DA5400ES

Pin No.	Pin Name	I/O	Description
142	Faroudjia UCOM BUSY	I	Busy signal input from the video processor1
143	2nd Faro UCOM UART Rx	I	Serial data input from the video processor2
144	2nd Faro UCOM UART Tx	O	Serial data output to the video processor2
145	2nd Faro UCOM BUSY	I	Busy signal input from the video processor2
146	GND	-	Ground terminal
147	+5V	-	Power supply terminal (+3.3V)
148 to 160	NO USE	-	Not used
161	GND	-	Ground terminal
162	+5V	-	Power supply terminal (+3.3V)
163	2nd Faro Power DETECT	I	Power detection signal input from the video processor2
164	2nd Faro UCOM RESET	O	Reset signal output to the video processor2 and flash memory "L": reset
165	2nd DAC CLOCK SEL	O	Clock control signal output to the frequency multiplier for D/A converter (for video section)
166	2nd VDAC_RESET	O	Reset signal output to the D/A converter (for video section) "L": reset
167	NO USE	-	Not used
168	V.SYNC_DET	I	Vertical sync signal input terminal Not used
169	TX_INT2	I	Interrupt signal input from the HDMI transmitter
170	TX_RST2	O	Reset signal output to the HDMI transmitter "L": reset
171	TX_5VPWR2	O	Power supply on/off control signal output terminal for HDMI OUT connector "H": power on
172	CEC_SEL	O	CEC line selection signal output terminal
173	REPEAT_PATH_SEL	O	Signal path selection signal output terminal at repeater
174, 175	DAC_SW0, DAC_SW1	O	Not used
176	+5V	-	Power supply terminal (+3.3V)

CONTROL BOARD IC2513 MB91F467RAPMC-GE1 (SYSTEM CONTROLLER)

Pin No.	Pin Name	I/O	Description
1	GND	-	Ground terminal
2	POWER SW DET	I	POWER switch input terminal
3	LED DCS ON/OFF	O	LED drive signal output terminal for Digital Cinema Sound indicator "H": LED on
4	VUCOM SDA	I/O	Two-way I2C data bus with the video system controller
5	VUCOM SCL	I/O	Two-way I2C clock bus with the video system controller
6	DUCOM SDA	I/O	Two-way I2C data bus with the DSP controller
7	DUCOM SCL	I/O	Two-way I2C clock bus with the DSP controller
8	LED MLT DIM	O	Dimmer control signal output terminal for MULTI CHANNEL DECODING indicator
9	LED MLT ON/OFF	O	LED drive signal output terminal for MULTI CHANNEL DECODING indicator "H": LED on
10	LED STB ON/OFF	O	LED drive signal output terminal for ON/STANDBY indicator "L": green LED on (power on mode), "H": red LED on (standby mode)
11, 12	+3.3V	-	Power supply terminal (+3.3V)
13	GND	-	Ground terminal
14	C_1	-	External capacitor connection terminal for internal regulator
15	MIC ON	O	Microphone muting on/off control signal output terminal "H": muting on
16	VOLUME JOG A	I	Jog dial pulse input from the rotary encoder (A phase input) (for MASTER VOLUME)
17	VOLUME JOG B	I	Jog dial pulse input from the rotary encoder (B phase input) (for MASTER VOLUME)
18	FUNCTION JOG A	I	Jog dial pulse input from the rotary encoder (A phase input) (for INPUT SELECTOR)
19	FUNCTION JOG B	I	Jog dial pulse input from the rotary encoder (B phase input) (for INPUT SELECTOR)
20	HP IN	I	Headphone plug insert detection signal input terminal "H": headphone plug is inserted
21	SP-SW A	I	Front speaker A on/off switch input terminal
22	SP-SW B	I	Front speaker B on/off switch input terminal
23	(TUNE +/- 2)	I	Jog dial pulse input from the rotary encoder (B phase input) (for TUNING)
24	(TUNE +/- 1)	I	Jog dial pulse input from the rotary encoder (A phase input) (for TUNING)
25	(TONE +/- 2)	I	Jog dial pulse input from the rotary encoder (B phase input) (for TONE)
26	(TONE +/- 1)	I	Jog dial pulse input from the rotary encoder (A phase input) (for TONE)
27	HATS RESET	O	Reset signal output to the field programmable gate array "L": reset
28	NMIX	-	Not used
29	HATS MUTE	O	Muting control signal output to the field programmable gate array
30	HATS MIDDLE	I	Buffer status input from the field programmable gate array
31	HATS AMCK_SEL	O	Audio master clock signal selection signal output terminal
32	SPDIF/DSD_SEL	O	SPDIF/DSD selection signal output terminal
33	DSP M-D INT	O	Interrupt request signal output to the DSP controller
34	DSP UCOM END-FLAG	I	Programming end flag input from the DSP controller
35	DSP UCOM MODE	O	Programming mode signal output to the DSP controller
36	+3.3V	-	Power supply terminal (+3.3V)
37	C_2	-	External capacitor connection terminal for internal regulator
38	GND	-	Ground terminal
39	4MHz (CLK in)	I	Main system clock input terminal (4 MHz)
40	4MHz (CLK out)	O	Main system clock output terminal (4 MHz)
41	GND	-	Ground terminal
42	Sub CLK in	I	Sub system clock input terminal Not used
43	Sub CLK out	O	Sub system clock output terminal Not used
44	+3.3V	-	Power supply terminal (+3.3V)
45	GND	-	Ground terminal
46	DSP M-D BUSY	O	Busy signal output to the DSP controller
47	DSP D-M BUSY	I	Busy signal input from the DSP controller
48	DSP_UCOM_RESET	O	Reset signal output to the DSP controller "L": reset
49	TA-LAT	O	Serial data latch pulse signal output to the lip sync adjust
50	TA-SIO	I	Serial data input from the lip sync adjust
51	TA_RST	O	Reset signal output to the lip sync adjust "L": reset
52	DA-MUTE	O	Muting control signal output terminal
53	DIR XMODE (RESET)	O	Reset signal output to the digital audio interface receiver "L": reset
54	DIR CE (LAT)	O	Chip enable signal output to the digital audio interface receiver
55	DIR DO	I	Serial data input from the digital audio interface receiver

Pin No.	Pin Name	I/O	Description
56	DIRERROR	I	PLL lock error signal and data error flag input from the digital audio interface receiver
57	+3.3V	-	Power supply terminal (+3.3V)
58	GND	-	Ground terminal
59	DIR CKST	I	Clock selection signal input from the digital audio interface receiver
60	MCK_X1/X2_SEL	O	Master clock signal selection signal output terminal
61	232C-SEL1	O	Data selection signal output terminal
62	DEV I2C2 SDA	I/O	Two-way I2C data bus with the field programmable gate array, D/A converter (for audio section) and video input selector
63	DEV I2C2 SCL	O	I2C clock signal output to the field programmable gate array, D/A converter (for audio section) and video input selector
64	D595 OE	O	Output enable signal output to the data decoder (for audio)
65	D595 LAT	O	Serial data latch pulse signal output to the data decoder (for audio)
66	COM1 CLK	O	Serial data transfer clock signal output to the digital audio interface receiver, data decoder (for audio section) and lip sync adjust
67	COM1 DATA	O	Serial data output to the digital audio interface receiver, data decoder (for audio section) and lip sync adjust
68 to 70	TRG-1 to TRG-3	O	Trigger signal output terminal
71	CEC-M/DV	O	CEC serial data output to the HDMI connector
72	HDMI-ERROR	I	HDMI audio error signal input terminal
73	+3.3V	-	Power supply terminal (+3.3V)
74	GND	-	Ground terminal
75	4/8-RY	O	Speaker impedance 4/8 ohm selection signal output terminal "L": 4 ohm, "H": 8 ohm
76	D.MIX-LAT	O	Serial data latch pulse signal output to the audio switch
77	VOL LAT	O	Serial data latch pulse signal output to the electrical volume
78	CCD_RY	O	Relay drive signal (for CD direct) output terminal "H": relay on
79	PREOUT RY	O	Relay drive signal (for preout) output terminal "H": relay on
80	SP-A-RY	O	Relay drive signal (for front A) output terminal "H": relay on
81	SP-B-RY	O	Relay drive signal (for front B) output terminal "H": relay on
82	C-RY	O	Relay drive signal (for center) output terminal "H": relay on
83	SB-RY	O	Relay drive signal (for surround back) output terminal "H": relay on
84	SR-RY	O	Relay drive signal (for surround) output terminal "H": relay on
85	HP-RY	O	Relay drive signal (for headphone) output terminal "H": relay on
86	PROTECTOR	I	Protect detection signal input terminal
87	D_POWER	O	Power supply on/off control signal output terminal for DSP section "H": power on
88	GND	-	Ground terminal
89	+3.3V	-	Power supply terminal (+3.3V)
90	POW-RY	O	Relay drive signal (for main power) output terminal "H": relay on
91	STOP	I	AC off detection signal input terminal "L": AC off
92	3RD RELAY	O	Relay drive signal (for zone 3) output terminal "H": relay on
93	2ND RELAY	O	Relay drive signal (for zone 2) output terminal "H": relay on
94	FUNC LAT	O	Serial data latch pulse signal output to the audio input selector
95	COM2 CLK	O	Serial data transfer clock signal output to the audio input selector and D/A converter (for XM section)
96	COM2 DATA	O	Serial data output to the audio input selector and D/A converter (for XM section)
97	WDRESETX	O	Watch dog timer reset signal output terminal Not used
98 to 100	AD-KEY1 to AD-KEY3	I	Front panel key input terminal (A/D input)
101	AD-KEY4 (NO USE)	I	Key input terminal (A/D input) Not used
102	FUNC2_LAT	O	Serial data latch pulse signal output to the audio input selector
103	VERSION	I	Destination setting terminal
104	FUNC3_LAT	O	Serial data latch pulse signal output to the audio input selector
105	SIRIUS POWER ENABLE	O	Sirius power detection signal output to the SIRIUS socket (US and Canadian models only)
106	TUNED	I	Tuned detection signal input from the tuner (FM/AM)
107	TUN_LAT	O	Serial data latch pulse signal output to the tuner (FM/AM)
108	TUN_DATA	O	Serial data output to the tuner (FM/AM)
109	TUN_CLK	O	Serial data transfer clock signal output to the tuner (FM/AM)
110	TUN_DO	I	Serial data input from the tuner (FM/AM)

Pin No.	Pin Name	I/O	Description
111	RDS_DATA	I	RDS serial data input from the tuner (FM/AM) (AEP, Continental European, East European, Russian and UK models only)
112	IR-LEARNING UCOM RESET	O	Not used
113	IR OUT SWITCH	O	Not used
114	AD GND	-	Ground terminal (for A/D converter)
115	AD +3.3V	-	Power supply terminal (+3.3V) (for A/D converter)
116	AD Ref. Vdd	I	Reference voltage (+3.3V) input terminal (for A/D converter)
117	PNX SDA (IIC BUS MONITOR DATA)	I/O	Two-way I2C data bus terminal Not used
118	PNX SCL (IIC BUS MONITOR CLK)	I/O	Two-way I2C clock bus terminal Not used
119	SIRCS-IN	I	SIRCS signal input from the remote control receiver
120	DAC_ZERO_DATA	I	Zero data detection signal input from the D/A converter (for audio section)
121	CEC-DV/M	I	CEC serial data input from the HDMI connector
122	COMP_DET	I	Component video signal detection signal input terminal
123	ZONE_SEL	I	ZONE SELECT switch input terminal
124	9850 INIT	O	Reset signal output terminal Not used
125	NO USE	-	Not used
126	RST_TRG	O	Reset signal output terminal for system controller "L": reset
127	MD3	-	Mode setting terminal Fixed at "L" in this set
128	MD2	I	Serial data input terminal
129, 130	MD1, MD0	-	Mode setting terminal Fixed at "L" in this set
131	INITX	I	System reset signal input from the reset signal generator "L": reset For several hundreds msec. after the power supply rises, "L" is input, then it changes to "H"
132	GND	-	Ground terminal
133	+5V	-	Power supply terminal (+3.3V)
134	232C-MIN	I	Serial data input from the RS-232C connector
135	232C-MOUT	O	Serial data output to the RS-232C connector
136	COMP2_DET	I	Component video signal (for ZONE 2) detection signal input terminal
137	XMUART-XM/M	I	Serial data input from the XM receiver (US and Canadian models only)
138	XMUART-M/XM	O	Serial data output to the XM receiver (US and Canadian models only)
139	MONI_MUTE	O	Composite video monitor out muting on/off control signal output to the video amplifier (for composite video signal) "H": muting on
140	IR-LEARN-UART-IR/M	I	Not used
141	IR-LEARN-UART-M/IR	O	Not used
142	MONI2_MUTE	O	Composite video zone 2 out muting on/off control signal output to the video amplifier (for composite video signal (for ZONE 2)) "H": muting on
143	DMUART2-DM/M	I	Serial data input from the DMPORT 2 connector
144	DMUART2-M/DM	O	Serial data output to the DMPORT 2 connector
145	DMPORT2_DETECT	I	Digital media port adapter connection detection signal (for DMPORT 2 connector) input terminal "L": digital media port adapter is connected
146	GND	-	Ground terminal
147	+5V	-	Power supply terminal (+3.3V)
148	SIRIUS_UART_SI/M	I	Serial data input from the SIRIUS socket (US and Canadian models only)
149	SIRIUS_UART_M/SI	O	Serial data output to the SIRIUS socket (US and Canadian models only)
150	FL_CLR	O	Blanking period signal output to the fluorescent indicator tube
151	FL_LAT	O	Serial data latch pulse signal output to the fluorescent indicator tube
152	FL_DATA	O	Serial data output to the fluorescent indicator tube
153	FL_CLK	O	Serial data transfer clock signal output to the fluorescent indicator tube
154	DMPORT_DM/M	I	Serial data input from the DMPORT 1 connector
155	DMPORT_M/DM	O	Serial data output to the DMPORT 1 connector
156	DMPORT DETECT	I	Digital media port adapter connection detection signal (for DMPORT 1 connector) input terminal "L": digital media port adapter is connected
157	COMP_MON_MUTE	O	Component video monitor out muting on/off control signal output to the video amplifier (for component video signal) "H": muting on
158	COMP_MON2_MUTE	O	Component video zone 2 out muting on/off control signal output to the video amplifier (for component video signal (for ZONE 2)) "H": muting on

STR-DA5400ES

Pin No.	Pin Name	I/O	Description
159, 160	PNX_ADC_LAT1, PNX_ADC_LAT2	O	Not used
161	GND	-	Ground terminal
162	+5V	-	Power supply terminal (+3.3V)
163	VIDEO UCOM ENDFLAG	I	End flag input from the video system controller
164	VIDEO UCOM MODE	O	Mode setting signal output to the video system controller
165	RDS_CLK	I	RDS serial data transfer clock signal input from the tuner (FM/AM) (AEP, Continental European, East European, Russian and UK models only)
166	VUCOM-BUSY	I	Busy signal input from the video system controller
167	VUCOM-RST	O	Reset signal output to the video system controller "L": reset
168	FSRATE1	I	L/R sampling clock signal input from the digital audio interface receiver or HDMI receiver
169	PNX RESET	O	Not used
170	232C-SEL2	O	Data selection signal output terminal
171	XM-RESET	O	Reset signal output to the XM receiver "L": reset (US and Canadian models only)
172	XM-DA_LAT	O	Serial data latch pulse signal output to the D/A converter (for XM section) (US and Canadian models only)
173	XM_POWER	O	Power supply on/off control signal output terminal for XM section "H": power on (US and Canadian models only)
174	DEV I2C SDA	I/O	Two-way data bus with the EEPROM
175	DEV I2C SCL	O	Serial data transfer clock signal output to the EEPROM
176	+5V	-	Power supply terminal (+3.3V)

SECTION 7 EXPLODED VIEWS

Note:

- -XX and -X mean standardized parts, so they may have some difference from the original one.
- Items marked "*" are not stocked since they are seldom required for routine service. Some delay should be anticipated when ordering these items.
- The mechanical parts with no reference number in the exploded views are not supplied.
- Color Indication of Appearance Parts Example:
KNOB, BALANCE (WHITE) . . . (RED)

↑ ↑
Parts Color Cabinet's Color

- Abbreviation
CND : Canadian model
ECE : Continental European,
East European and
Russian models

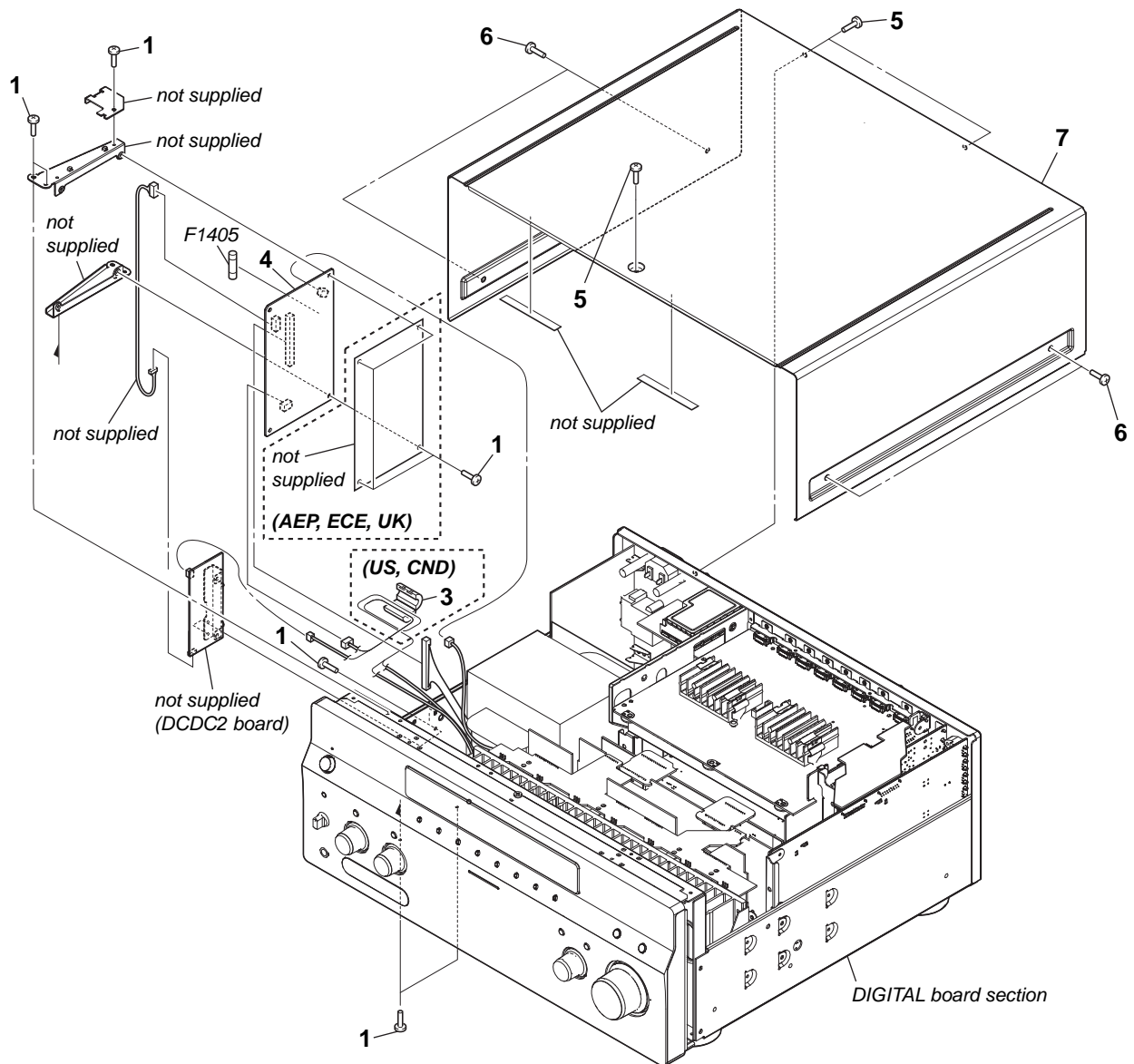
The components identified by mark \triangle or dotted line with mark \triangle are critical for safety.
Replace only with part number specified.

Les composants identifiés par une marque \triangle sont critiques pour la sécurité.
Ne les remplacer que par une pièce portant le numéro spécifié.

The components identified by mark \triangle contain confidential information.
Strictly follow the instructions whenever the components are repaired and/or replaced.

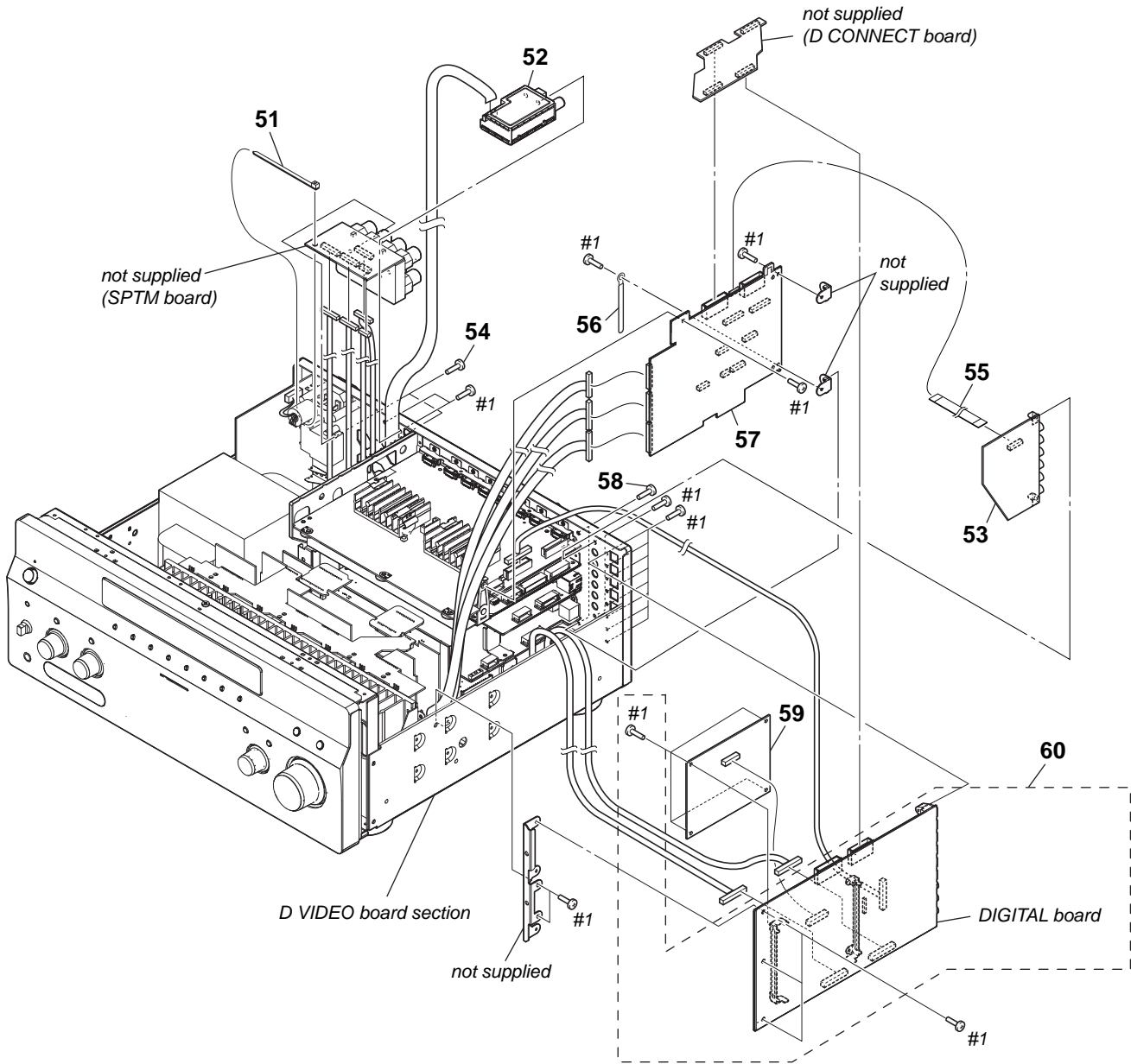
Les composants identifiés par la marque \triangle contiennent des informations confidentielles.
Suivre scrupuleusement les instructions chaque fois qu'un composant est remplacé et / ou réparé.

7-1. CASE SECTION



Ref. No.	Part No.	Description	Remark	Ref. No.	Part No.	Description	Remark
1	4-974-510-11	SCREW (+BV 3X8 CU)		6	2-580-630-01	SCREW, +BVST 4X8	
2	3-701-748-00	CLAMP		7	2-668-102-11	CASE	
3	1-500-386-11	FILTER, CLAMP (FERRITE CORE) (US, CND)		\triangle F1405	1-532-506-33	FUSE (T6.3AL/250V)	
4	A-1538-912-A	DC-DC BOARD, COMPLETE					
5	4-227-843-03	SCREW (TP), FLAT HEAD					

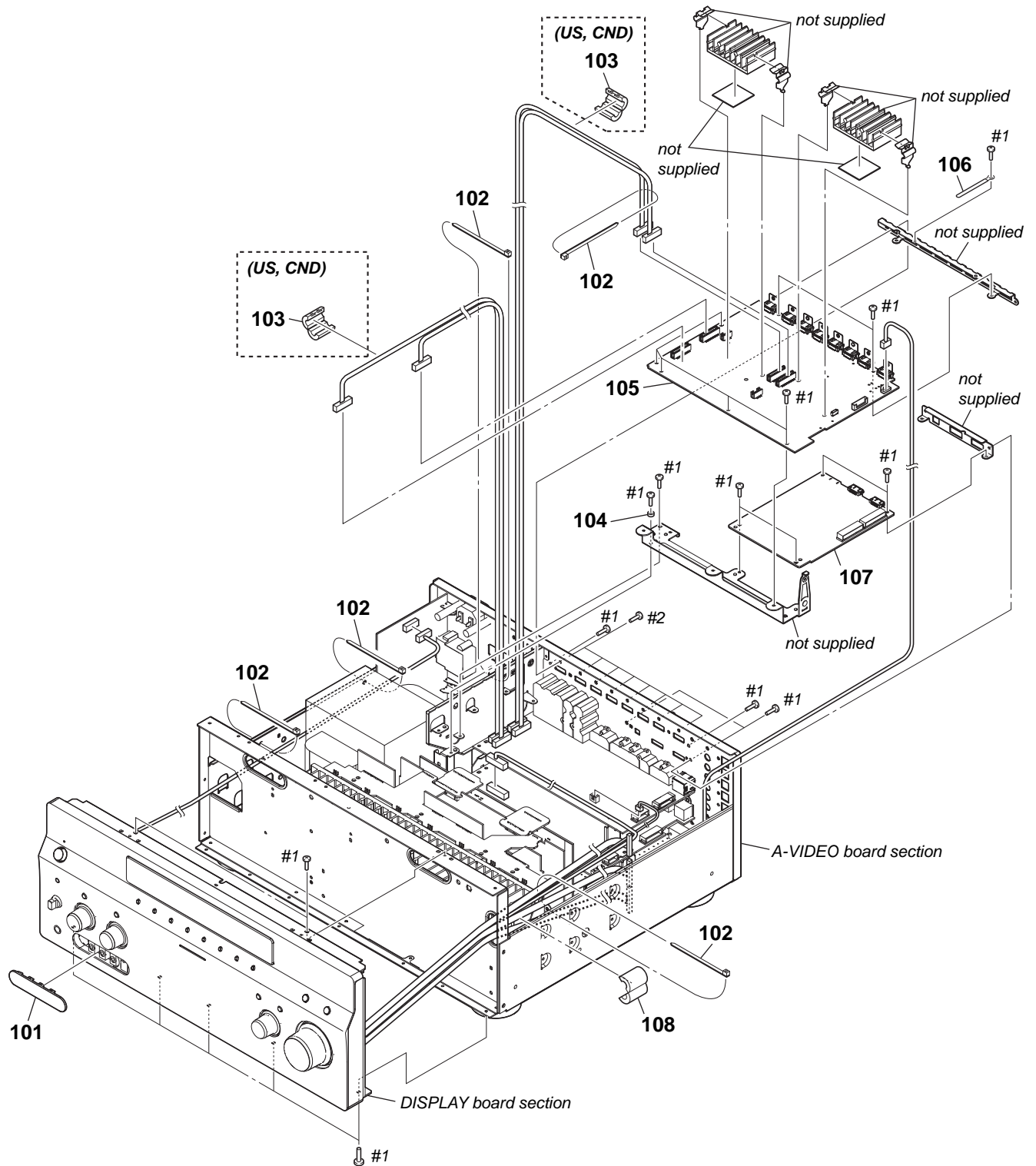
7-2. DIGITAL BOARD SECTION



Ref. No.	Part No.	Description	Remark
51	3-655-653-11	BAND (TAITON), BINDING	
52	1-693-728-31	TUNER (FM/AM) (US, CND)	
52	1-693-737-21	TUNER (FM/AM) (AEP, ECE, UK)	
53	A-1538-073-A	CIS BOARD, COMPLETE (US, CND)	
53	A-1538-135-A	CIS BOARD, COMPLETE (AEP, ECE, UK)	
54	3-704-515-51	SCREW (BV/RING)	
55	1-828-327-51	WIRE (FLAT TYPE) (13 CORE)	
56	4-237-065-01	CLAMP (L35)	

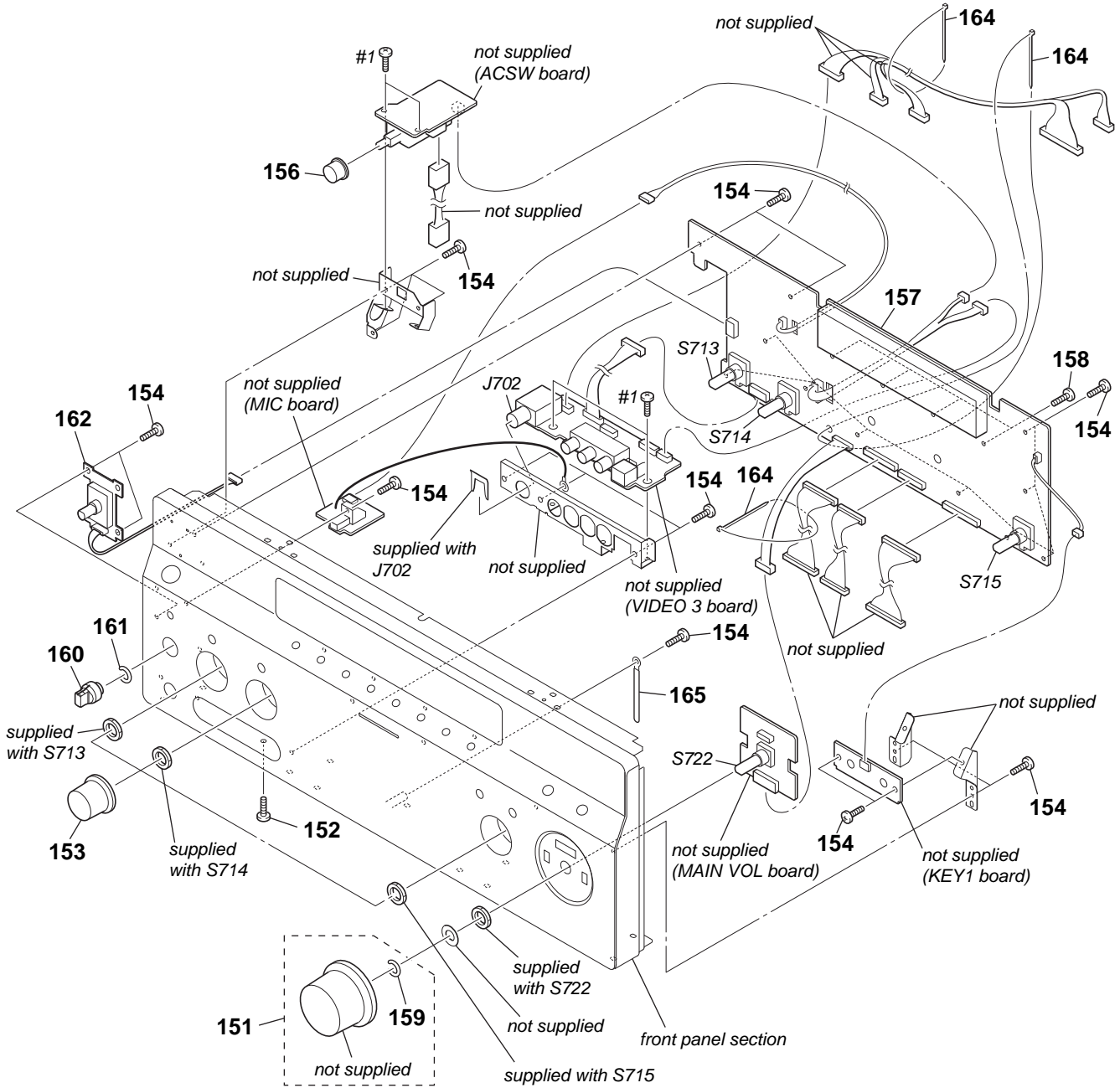
Ref. No.	Part No.	Description	Remark
57	A-1538-081-A	CONTROL BOARD, COMPLETE (US, CND)	
57	A-1538-140-A	CONTROL BOARD, COMPLETE (AEP, ECE, UK)	
58	3-704-515-22	SCREW (BV/RING)	
59	A-1538-090-A	DSP BOARD, COMPLETE	
60	A-1538-080-A	DIGITAL BOARD, COMPLETE (US, CND)	
60	A-1538-139-A	DIGITAL BOARD, COMPLETE (AEP, ECE, UK)	
#1	7-685-646-79	SCREW +BVTP 3X8 TYPE2 IT-3	

7-3. D VIDEO BOARD SECTION



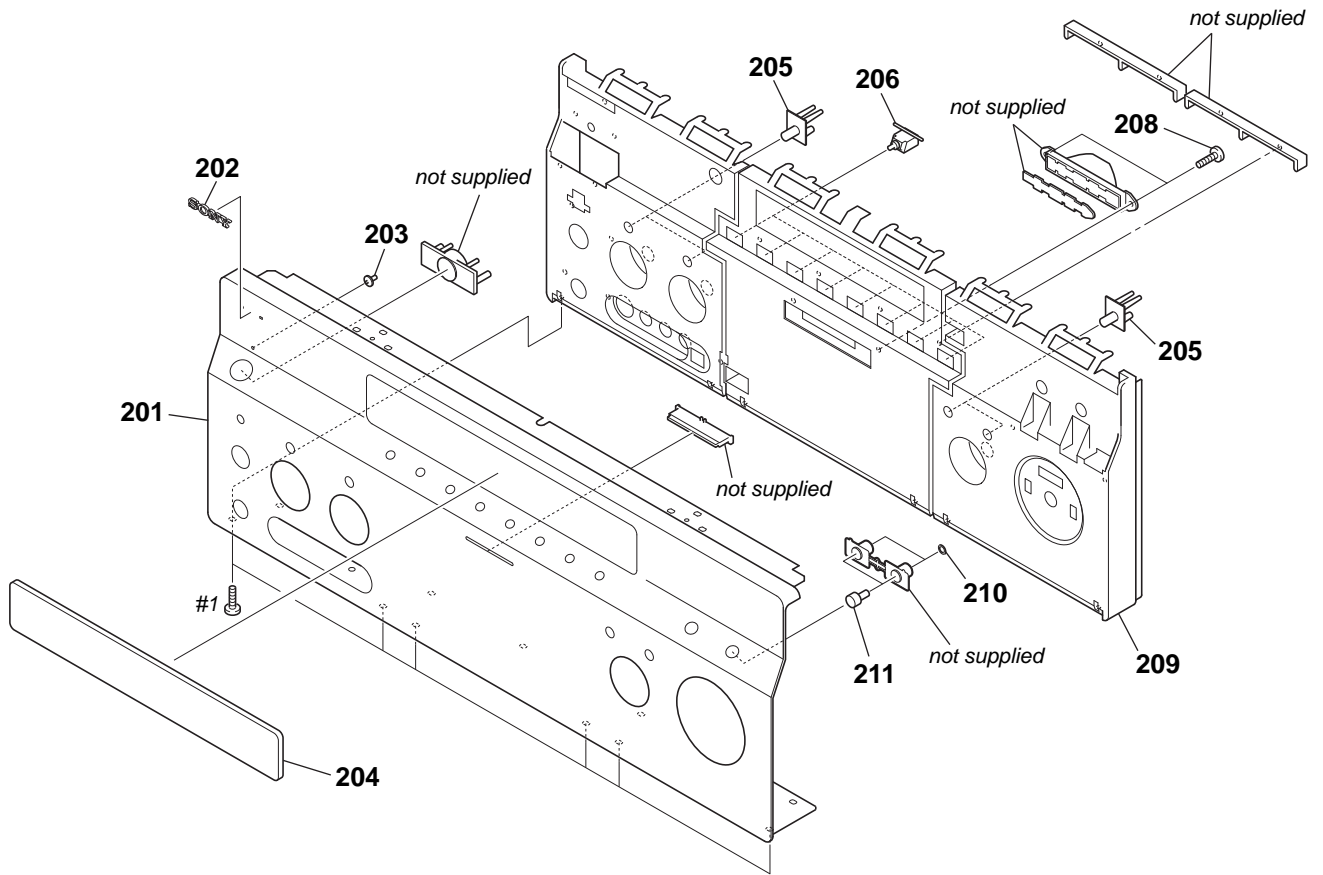
Ref. No.	Part No.	Description	Remark	Ref. No.	Part No.	Description	Remark
101	2-698-310-01	LID (A2)		107	A-1538-091-A	DMPort BOARD, COMPLETE (US, CND)	
102	3-701-748-00	CLAMP		107	A-1538-147-A	DMPort BOARD, COMPLETE (AEP, ECE, UK)	
103	1-500-082-11	CLAMP, SLEEVE FERRITE (US, CND)		108	1-500-386-11	FILTER, CLAMP (FERRITE CORE)	
104	4-857-425-00	BUSHING, 03P INSULATING		#1	7-685-646-79	SCREW +BVTP 3X8 TYPE2 IT-3	
105	A-1538-094-A	D VIDEO BOARD, COMPLETE (for SERVICE)		#2	7-682-547-04	SCREW +B 3X6	
106	4-237-065-01	CLAMP (L35)					

7-4. DISPLAY BOARD SECTION



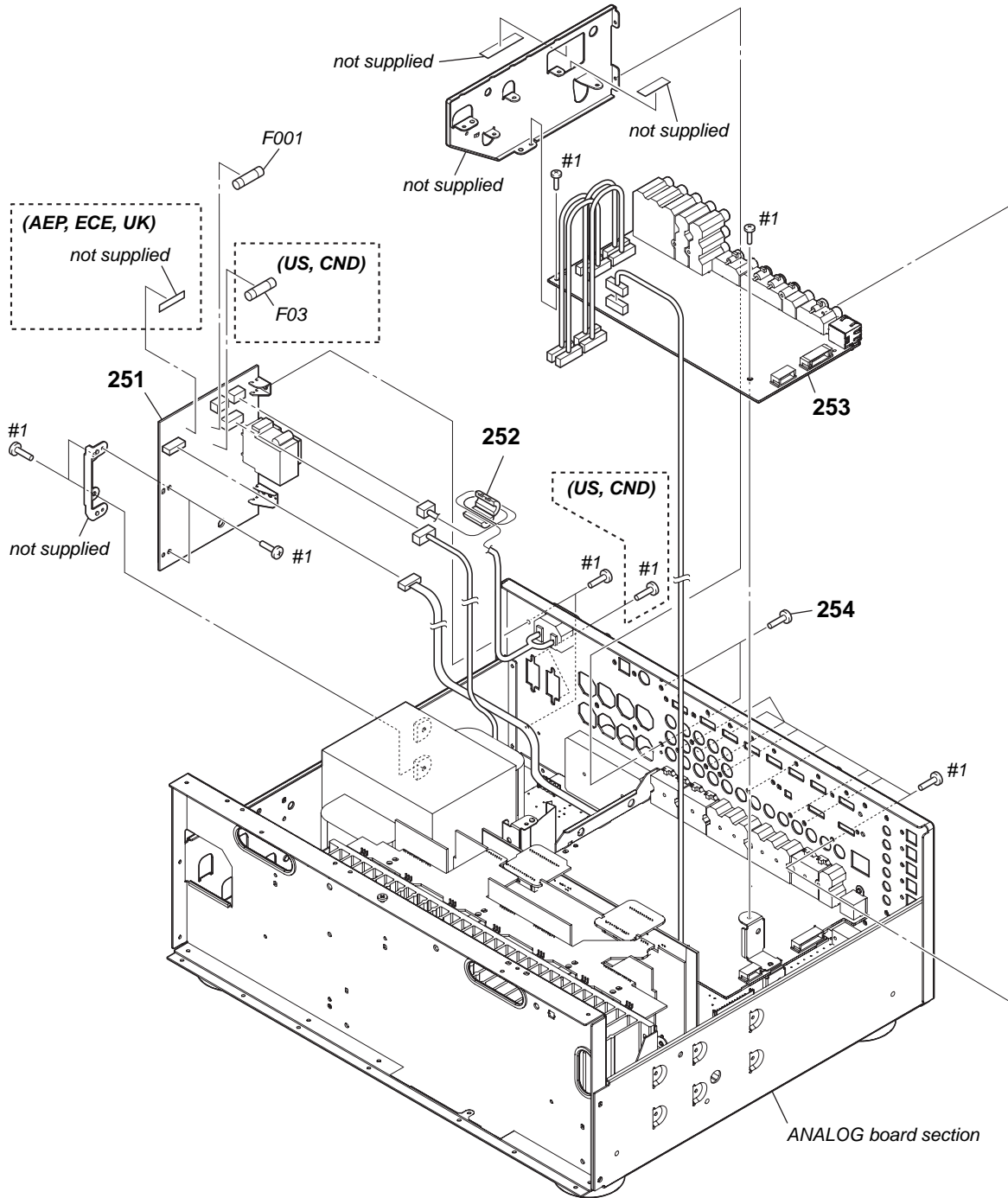
Ref. No.	Part No.	Description	Remark	Ref. No.	Part No.	Description	Remark
151	X-2176-946-1	KNOB (VOL) ASSY		162	A-1252-357-A	SPSW BOARD, COMPLETE	
152	3-704-515-22	SCREW (BV/RING)		164	3-701-748-00	CLAMP	
153	2-661-141-31	MENU KNOB		165	4-237-065-01	CLAMP (L35)	
154	3-087-053-01	+BVTP2.6 (3CR)		J702	1-815-313-11	JACK (PHONES)	
156	X-4955-616-1	BUTTON (POWER) ASSY		S713	1-418-400-11	ENCODER, ROTARY (TONE)	
157	A-1538-084-A	DISPLAY BOARD, COMPLETE		S714	1-418-400-11	ENCODER, ROTARY (TUNING)	
158	3-087-053-11	+BVTP2.6 (3CR)		S715	1-418-400-11	ENCODER, ROTARY (INPUT SELECTOR)	
159	3-350-426-01	SPRING, RING		S722	1-418-725-41	ENCODER, ROTARY (12 TYPE)	
160	4-246-103-22	KNOB (SPEAKER)				(MASTER VOLUME)	
161	2-893-374-01	SPRING, RING		#1	7-685-646-79	SCREW +BVTP 3X8 TYPE2 IT-3	

7-5. FRONT PANEL SECTION



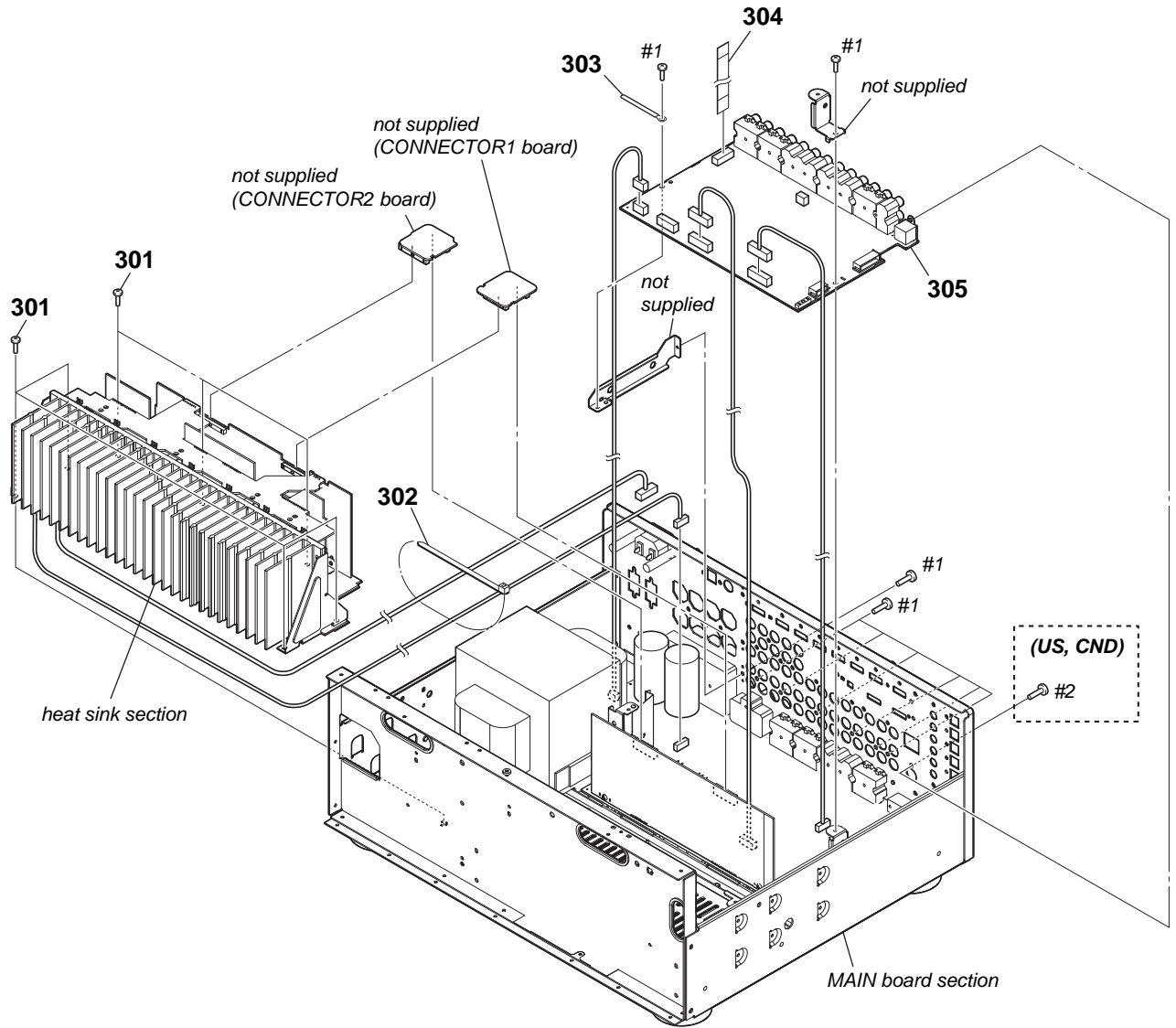
Ref. No.	Part No.	Description	Remark	Ref. No.	Part No.	Description	Remark
201	3-298-840-12	PANEL, FRONT (US, CND)		206	3-278-912-01	BUTTON (MUSIC-AB)	
201	3-298-840-22	PANEL, FRONT (AEP, ECE, UK)		208	3-087-053-01	+BVTP2.6 (3CR)	
202	4-942-568-41	EMBLEM (NO.5), SONY		209	2-668-108-21	BASE, PANEL (A2)	
203	X-4950-462-1	LENS ASSY, LED		210	3-325-697-21	WASHER	
204	2-668-128-32	PLATE (A2), INDICATION		211	4-246-100-23	BUTTON (DIA. 7)	
205	2-668-113-01	BUTTON (ZONE)		#1	7-685-646-79	SCREW +BVTP 3X8 TYPE2 IT-3	

7-6. A-VIDEO BOARD SECTION



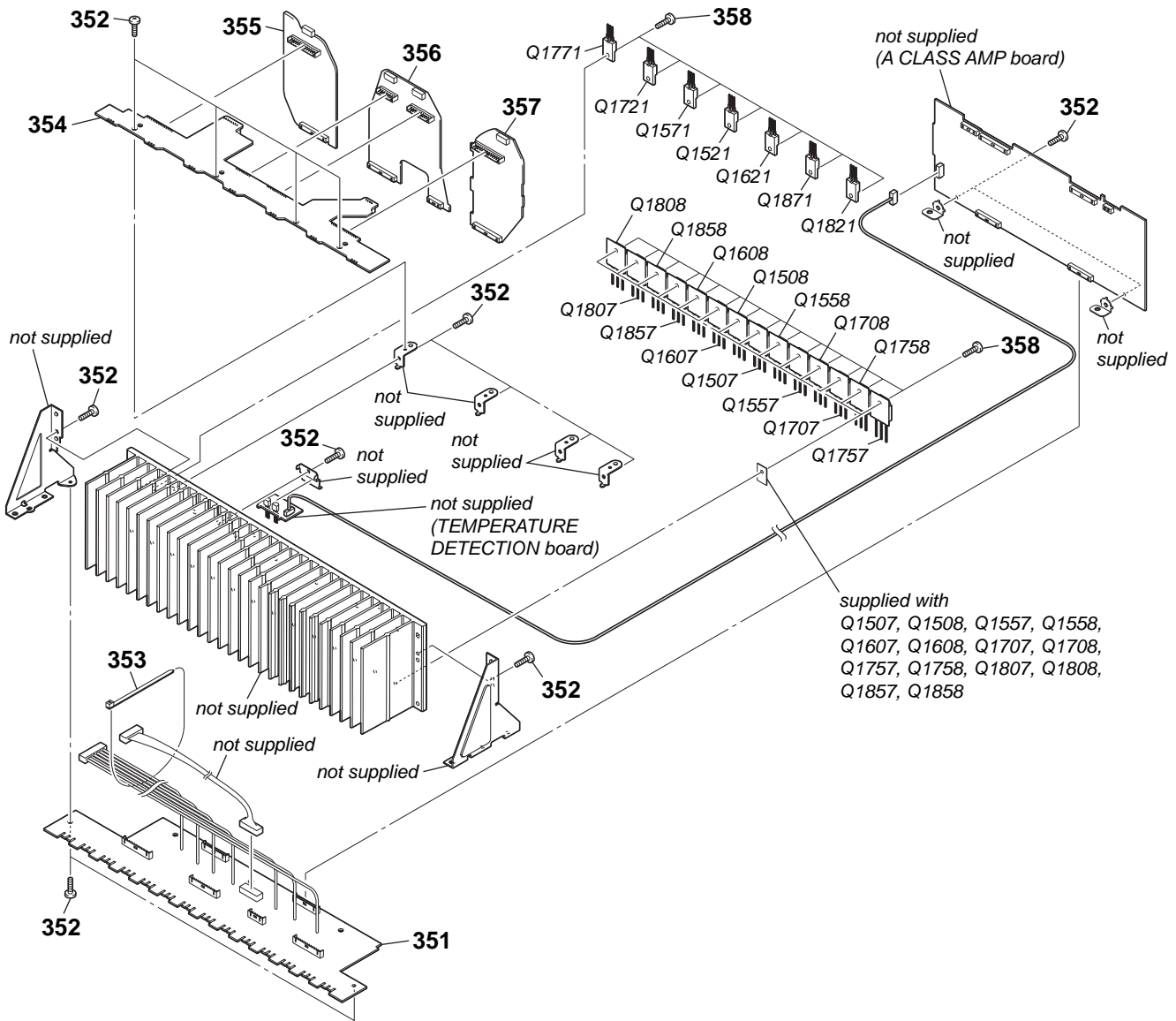
Ref. No.	Part No.	Description	Remark	Ref. No.	Part No.	Description	Remark
251	A-1538-071-A	AC BOARD, COMPLETE (US, CND)		△ F001	1-532-504-33	FUSE (T4AL/250V) (AEP, ECE, UK)	
251	A-1538-134-A	AC BOARD, COMPLETE (AEP, ECE, UK)		△ F001	1-533-311-12	FUSE, GLASS CYLINDRICAL (DIA.5) (8A/125V)	(US, CND)
252	1-500-386-11	FILTER, CLAMP (FERRITE CORE)		△ F03	1-533-420-12	FUSE, GLASS CYLINDRICAL (DIA.5) (5A/125V)	(US, CND)
253	A-1538-078-A	A-VIDEO BOARD, COMPLETE (US, CND)		#1	7-685-646-79	SCREW +BVTP 3X8 TYPE2 IT-3	
253	A-1538-137-A	A-VIDEO BOARD, COMPLETE (AEP, ECE, UK)					
254	4-974-510-11	SCREW (+BV 3X8 CU)					

7-7. ANALOG BOARD SECTION



Ref. No.	Part No.	Description	Remark	Ref. No.	Part No.	Description	Remark
301	4-974-510-11	SCREW (+BV 3X8 CU)		305	A-1538-077-A	ANALOG BOARD, COMPLETE (US, CND)	
302	3-701-748-00	CLAMP		305	A-1538-712-A	ANALOG BOARD, COMPLETE (AEP, ECE, UK)	
303	4-237-065-01	CLAMP (L35)		#1	7-685-646-79	SCREW +BVTP 3X8 TYPE2 IT-3	
304	1-823-669-51	WIRE (FLAT TYPE) (11 CORE) (AEP, ECE, UK)		#2	7-682-547-04	SCREW +B 3X6	
304	1-828-956-51	WIRE (FLAT TYPE) (9 CORE) (US, CND)					

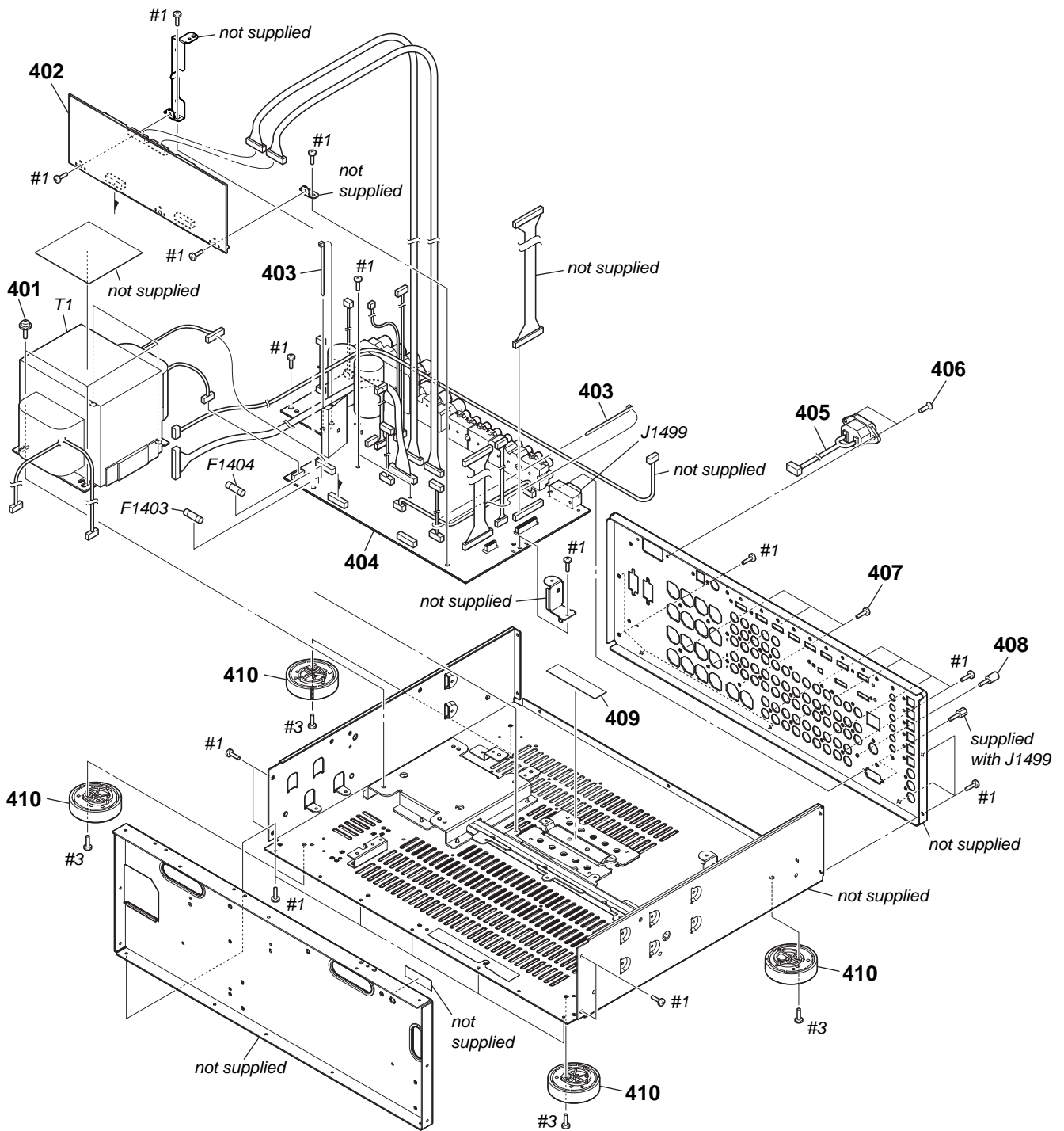
7-8. HEAT SINK SECTION



Ref. No.	Part No.	Description	Remark
351	A-1530-376-A	POWER AMP BOARD, COMPLETE	
352	4-974-510-11	SCREW (+BV 3X8 CU)	
353	3-701-748-00	CLAMP	
354	A-1530-379-A	BIAS BOARD, COMPLETE	
355	A-1530-383-A	PROTECTOR (SB) BOARD, COMPLETE	
356	A-1530-381-A	PROTECTOR (F-C) BOARD, COMPLETE	
357	A-1530-382-A	PROTECTOR (SURR) BOARD, COMPLETE	
358	3-905-609-13	SCREW (TRANSISTOR)	
Q1507	8-729-051-92	TRANSISTOR 2SD2560	
Q1508	8-729-051-93	TRANSISTOR 2SB1647	
Q1521	8-729-026-08	TRANSISTOR 2SC4495	
Q1557	8-729-051-92	TRANSISTOR 2SD2560	
Q1558	8-729-051-93	TRANSISTOR 2SB1647	
Q1571	8-729-026-08	TRANSISTOR 2SC4495	
Q1607	8-729-051-92	TRANSISTOR 2SD2560	

Ref. No.	Part No.	Description	Remark
Q1608	8-729-051-93	TRANSISTOR 2SB1647	
Q1621	8-729-026-08	TRANSISTOR 2SC4495	
Q1707	8-729-051-92	TRANSISTOR 2SD2560	
Q1708	8-729-051-93	TRANSISTOR 2SB1647	
Q1721	8-729-026-08	TRANSISTOR 2SC4495	
Q1757	8-729-051-92	TRANSISTOR 2SD2560	
Q1758	8-729-051-93	TRANSISTOR 2SB1647	
Q1771	8-729-026-08	TRANSISTOR 2SC4495	
Q1807	8-729-051-92	TRANSISTOR 2SD2560	
Q1808	8-729-051-93	TRANSISTOR 2SB1647	
Q1821	8-729-026-08	TRANSISTOR 2SC4495	
Q1857	8-729-051-92	TRANSISTOR 2SD2560	
Q1858	8-729-051-93	TRANSISTOR 2SB1647	
Q1871	8-729-026-08	TRANSISTOR 2SC4495	

7-9. MAIN BOARD SECTION



Ref. No.	Part No.	Description	Remark	Ref. No.	Part No.	Description	Remark
401	X-2319-778-1	COPPER WASHER +BVTT ASSY		410	X-4955-348-1	FOOT ASSY	
402	A-1538-072-A	E-VOL BOARD, COMPLETE		△ F1403	1-532-504-33	FUSE (T4AL/250V)	
403	3-701-748-00	CLAMP		△ F1404	1-532-504-33	FUSE (T4AL/250V)	
404	A-1538-066-A	MAIN BOARD, COMPLETE (US, CND)		J1499	1-815-737-11	CONNECTOR, (D) SUB 9P (RS-232C)	
404	A-1538-132-A	MAIN BOARD, COMPLETE (AEP, ECE, UK)		△ T1	1-445-239-11	TRANSFORMER, POWER (AEP, ECE, UK)	
△ 405	1-821-082-21	INLET, AC 2P (~AC IN)		△ T1	1-445-471-11	POWER SOURCE TRANSFORMER (US, CND)	
406	2-580-644-01	SCREW, +KTP2 3X8		#1	7-685-646-79	SCREW +BVTP 3X8 TYPE2 IT-3	
407	3-704-515-51	SCREW (BV/RING)		#3	7-685-885-09	SCREW +BVTT 4X16 (S)	
408	4-947-010-01	SCREW, FEEDER FIXED					
409	3-196-712-01	SHEET (H), RADIATION					

SECTION 8
ELECTRICAL PARTS LIST

A CLASS AMP

Note:

- Due to standardization, replacements in the parts list may be different from the parts specified in the diagrams or the components used on the set.
- -XX and -X mean standardized parts, so they may have some difference from the original one.
- Items marked "*" are not stocked since they are seldom required for routine service. Some delay should be anticipated when ordering these items.
- CAPACITORS
uF: µF
- COILS
uH: µH
- RESISTORS
All resistors are in ohms.
METAL: Metal-film resistor.
METAL OXIDE: Metal oxide-film resistor.
F: nonflammable

- SEMICONDUCTORS
In each case, u: µ, for example:
uA. . . : µA. . . , uPA. . . , µPA. . . ,
uPB. . . : µPB. . . , uPC. . . , µPC. . . ,
uPD. . . : µPD. . .
- Abbreviation
CND : Canadian model
ECE : Continental European, East European and Russian models

When indicating parts by reference number, please include the board name.

The components identified by mark △ are critical for safety.
Replace only with part number specified.

Les composants identifiés par une marque △ sont critiques pour la sécurité.
Ne les remplacer que par une pièce portant le numéro spécifié.

The components identified by mark □ contain confidential information.
Strictly follow the instructions whenever the components are repaired and/or replaced.

Les composants identifiés par la marque □ contiennent des informations confidentielles.
Suivre scrupuleusement les instructions chaque fois qu'un composant est remplacé et / ou réparé.

Ref. No.	Part No.	Description	Remark	Ref. No.	Part No.	Description	Remark
		A CLASS AMP BOARD *****		C1711	1-107-585-11	CERAMIC 5PF	0.25PF 500V
		< CAPACITOR >		C1715	1-107-585-11	CERAMIC 5PF	0.25PF 500V
C1501	1-112-099-11	ELECT 4.7uF	20% 50V	C1751	1-112-099-11	ELECT 4.7uF	20% 50V
C1502	1-101-810-00	CERAMIC 100PF	5% 500V	C1752	1-101-810-00	CERAMIC 100PF	5% 500V
C1503	1-137-503-11	FILM 100PF	5% 100V	C1753	1-137-503-11	FILM 100PF	5% 100V
C1504	1-136-357-11	FILM 680PF	5% 100V	C1754	1-136-357-11	FILM 680PF	5% 100V
C1505	1-112-090-11	ELECT 100uF	20% 25V	C1755	1-112-090-11	ELECT 100uF	20% 25V
C1507	1-107-587-11	CERAMIC 7PF	0.5PF 500V	C1757	1-107-587-11	CERAMIC 7PF	0.5PF 500V
C1508	1-112-421-11	ELECT 330uF	20% 25V	C1758	1-112-421-11	ELECT 330uF	20% 25V
C1510	1-112-416-11	ELECT 220uF	20% 16V	C1760	1-112-416-11	ELECT 220uF	20% 16V
C1511	1-107-585-11	CERAMIC 5PF	0.25PF 500V	C1761	1-107-585-11	CERAMIC 5PF	0.25PF 500V
C1515	1-107-585-11	CERAMIC 5PF	0.25PF 500V	C1765	1-107-585-11	CERAMIC 5PF	0.25PF 500V
C1551	1-112-099-11	ELECT 4.7uF	20% 50V	C1801	1-112-099-11	ELECT 4.7uF	20% 50V
C1552	1-101-810-00	CERAMIC 100PF	5% 500V	C1802	1-101-810-00	CERAMIC 100PF	5% 500V
C1553	1-137-503-11	FILM 100PF	5% 100V	C1803	1-137-503-11	FILM 100PF	5% 100V
C1554	1-136-357-11	FILM 680PF	5% 100V	C1804	1-136-357-11	FILM 680PF	5% 100V
C1555	1-112-090-11	ELECT 100uF	20% 25V	C1805	1-112-090-11	ELECT 100uF	20% 25V
C1557	1-107-587-11	CERAMIC 7PF	0.5PF 500V	C1807	1-107-587-11	CERAMIC 7PF	0.5PF 500V
C1558	1-112-421-11	ELECT 330uF	20% 25V	C1808	1-112-421-11	ELECT 330uF	20% 25V
C1560	1-112-416-11	ELECT 220uF	20% 16V	C1810	1-112-416-11	ELECT 220uF	20% 16V
C1561	1-107-585-11	CERAMIC 5PF	0.25PF 500V	C1811	1-107-585-11	CERAMIC 5PF	0.25PF 500V
C1565	1-107-585-11	CERAMIC 5PF	0.25PF 500V	C1815	1-107-585-11	CERAMIC 5PF	0.25PF 500V
C1601	1-112-099-11	ELECT 4.7uF	20% 50V	C1851	1-112-099-11	ELECT 4.7uF	20% 50V
C1602	1-101-810-00	CERAMIC 100PF	5% 500V	C1852	1-101-810-00	CERAMIC 100PF	5% 500V
C1603	1-137-503-11	FILM 100PF	5% 100V	C1853	1-137-503-11	FILM 100PF	5% 100V
C1604	1-136-357-11	FILM 680PF	5% 100V	C1854	1-136-357-11	FILM 680PF	5% 100V
C1605	1-112-090-11	ELECT 100uF	20% 25V	C1855	1-112-090-11	ELECT 100uF	20% 25V
C1607	1-107-587-11	CERAMIC 7PF	0.5PF 500V	C1857	1-107-587-11	CERAMIC 7PF	0.5PF 500V
C1608	1-112-421-11	ELECT 330uF	20% 25V	C1858	1-112-421-11	ELECT 330uF	20% 25V
C1610	1-112-416-11	ELECT 220uF	20% 16V	C1860	1-112-416-11	ELECT 220uF	20% 16V
C1611	1-107-585-11	CERAMIC 5PF	0.25PF 500V	C1861	1-107-585-11	CERAMIC 5PF	0.25PF 500V
C1615	1-107-585-11	CERAMIC 5PF	0.25PF 500V	C1865	1-107-585-11	CERAMIC 5PF	0.25PF 500V
C1701	1-112-099-11	ELECT 4.7uF	20% 50V	C1901	1-112-109-11	ELECT 22uF	20% 100V
C1702	1-101-810-00	CERAMIC 100PF	5% 500V	C1902	1-112-109-11	ELECT 22uF	20% 100V
C1703	1-137-503-11	FILM 100PF	5% 100V	C1911	1-126-791-11	ELECT 10uF	20% 35V
C1704	1-136-357-11	FILM 680PF	5% 100V	C1912	1-127-888-11	CERAMIC 0.1uF	10% 50V
C1705	1-112-090-11	ELECT 100uF	20% 25V			< CONNECTOR >	
C1707	1-107-587-11	CERAMIC 7PF	0.5PF 500V	CN1504	1-764-864-41	CONNECTOR, BOARD TO BOARD 12P	
C1708	1-112-421-11	ELECT 330uF	20% 25V	CN1505	1-573-829-11	CONNECTOR, BOARD TO BOARD 15P	
C1710	1-112-416-11	ELECT 220uF	20% 16V	CN1905	1-764-864-41	CONNECTOR, BOARD TO BOARD 12P	
				CN1906	1-764-864-41	CONNECTOR, BOARD TO BOARD 12P	

Ref. No.	Part No.	Description	Remark	Ref. No.	Part No.	Description	Remark
CN1907	1-770-011-41	CONNECTOR, BOARD TO BOARD 4P		Q1902	8-729-140-96	TRANSISTOR 2SD774-34	
CN1908	1-784-031-41	CONNECTOR, BOARD TO BOARD 8P		Q1903	8-729-140-96	TRANSISTOR 2SD774-34	
CN1909	1-784-921-11	PIN, CONNECTOR 4P		Q1910	8-729-029-94	TRANSISTOR DTC143TSA	
		< DIODE >		Q1911	8-729-029-86	TRANSISTOR DTC124ESA	
D1501	8-719-109-93	DIODE RD6.2ESB2		Q1912	8-729-029-86	TRANSISTOR DTC124ESA	
D1551	8-719-109-93	DIODE RD6.2ESB2		Q1913	8-729-029-86	TRANSISTOR DTC124ESA	
D1601	8-719-109-93	DIODE RD6.2ESB2		Q1914	8-729-029-86	TRANSISTOR DTC124ESA	
D1701	8-719-109-93	DIODE RD6.2ESB2				< RESISTOR >	
D1751	8-719-109-93	DIODE RD6.2ESB2		R1501	1-259-428-61	CARBON 1K 5% 1/6W	
D1801	8-719-109-93	DIODE RD6.2ESB2		R1502	1-259-476-61	CARBON 100K 5% 1/6W	
D1851	8-719-109-93	DIODE RD6.2ESB2		△ R1503	1-249-409-91	CARBON 220 5% 1/4W	F
D1901	8-719-991-33	DIODE 1SS133T-77		△ R1504	1-249-409-91	CARBON 220 5% 1/4W	F
D1902	8-719-991-33	DIODE 1SS133T-77		R1505	1-259-416-61	CARBON 330 5% 1/6W	
D1903	8-719-991-33	DIODE 1SS133T-77		R1506	1-259-440-61	CARBON 3.3K 5% 1/6W	
D1907	8-719-991-33	DIODE 1SS133T-77		R1507	1-259-436-61	CARBON 2.2K 5% 1/6W	
D1911	8-719-991-33	DIODE 1SS133T-77		R1509	1-260-116-11	CARBON 27K 5% 1/2W	
		< IC >		△ R1511	1-249-405-91	CARBON 100 5% 1/4W	F
IC1902	8-759-167-88	IC NJM4565D		R1512	1-247-764-11	CARBON 10K 5% 1/2W	
IC1904	8-759-239-14	IC TA78L05S		R1513	1-247-759-11	CARBON 3.9K 5% 1/2W	
		< TRANSISTOR >		R1514	1-249-496-11	CARBON 100K 5% 1/2W	
Q1501	6-550-031-01	TRANSISTOR HN4C06J-GRBL (TE85R)		R1549	1-259-476-61	CARBON 100K 5% 1/6W	
Q1502	8-729-042-09	TRANSISTOR 2SA1038S-RSE-TP		R1551	1-259-428-61	CARBON 1K 5% 1/6W	
Q1503	8-729-042-09	TRANSISTOR 2SA1038S-RSE-TP		R1552	1-259-476-61	CARBON 100K 5% 1/6W	
Q1504	8-729-021-73	TRANSISTOR 2SC2229-OY		△ R1553	1-249-409-91	CARBON 220 5% 1/4W	F
Q1505	8-729-021-74	TRANSISTOR 2SA949-OY		△ R1554	1-249-409-91	CARBON 220 5% 1/4W	F
Q1551	6-550-031-01	TRANSISTOR HN4C06J-GRBL (TE85R)		R1555	1-259-416-61	CARBON 330 5% 1/6W	
Q1552	8-729-042-09	TRANSISTOR 2SA1038S-RSE-TP		R1556	1-259-440-61	CARBON 3.3K 5% 1/6W	
Q1553	8-729-042-09	TRANSISTOR 2SA1038S-RSE-TP		R1557	1-259-436-61	CARBON 2.2K 5% 1/6W	
Q1554	8-729-021-73	TRANSISTOR 2SC2229-OY		R1559	1-260-116-11	CARBON 27K 5% 1/2W	
Q1555	8-729-021-74	TRANSISTOR 2SA949-OY		△ R1561	1-249-405-91	CARBON 100 5% 1/4W	F
Q1601	6-550-031-01	TRANSISTOR HN4C06J-GRBL (TE85R)		R1562	1-247-764-11	CARBON 10K 5% 1/2W	
Q1602	8-729-042-09	TRANSISTOR 2SA1038S-RSE-TP		R1563	1-247-759-11	CARBON 3.9K 5% 1/2W	
Q1603	8-729-042-09	TRANSISTOR 2SA1038S-RSE-TP		R1564	1-249-496-11	CARBON 100K 5% 1/2W	
Q1604	8-729-021-73	TRANSISTOR 2SC2229-OY		R1601	1-259-428-61	CARBON 1K 5% 1/6W	
Q1605	8-729-021-74	TRANSISTOR 2SA949-OY		R1602	1-259-476-61	CARBON 100K 5% 1/6W	
Q1701	6-550-031-01	TRANSISTOR HN4C06J-GRBL (TE85R)		△ R1603	1-249-409-91	CARBON 220 5% 1/4W	F
Q1702	8-729-042-09	TRANSISTOR 2SA1038S-RSE-TP		△ R1604	1-249-409-91	CARBON 220 5% 1/4W	F
Q1703	8-729-042-09	TRANSISTOR 2SA1038S-RSE-TP		R1605	1-259-416-61	CARBON 330 5% 1/6W	
Q1704	8-729-021-73	TRANSISTOR 2SC2229-OY		R1606	1-259-440-61	CARBON 3.3K 5% 1/6W	
Q1705	8-729-021-74	TRANSISTOR 2SA949-OY		R1607	1-259-436-61	CARBON 2.2K 5% 1/6W	
Q1751	6-550-031-01	TRANSISTOR HN4C06J-GRBL (TE85R)		R1609	1-260-116-11	CARBON 27K 5% 1/2W	
Q1752	8-729-042-09	TRANSISTOR 2SA1038S-RSE-TP		△ R1611	1-249-405-91	CARBON 100 5% 1/4W	F
Q1753	8-729-042-09	TRANSISTOR 2SA1038S-RSE-TP		R1612	1-247-764-11	CARBON 10K 5% 1/2W	
Q1754	8-729-021-73	TRANSISTOR 2SC2229-OY		R1613	1-247-759-11	CARBON 3.9K 5% 1/2W	
Q1755	8-729-021-74	TRANSISTOR 2SA949-OY		R1614	1-249-496-11	CARBON 100K 5% 1/2W	
Q1801	6-550-031-01	TRANSISTOR HN4C06J-GRBL (TE85R)		R1701	1-259-428-61	CARBON 1K 5% 1/6W	
Q1802	8-729-042-09	TRANSISTOR 2SA1038S-RSE-TP		R1702	1-259-476-61	CARBON 100K 5% 1/6W	
Q1803	8-729-042-09	TRANSISTOR 2SA1038S-RSE-TP		△ R1703	1-249-409-91	CARBON 220 5% 1/4W	F
Q1804	8-729-021-73	TRANSISTOR 2SC2229-OY		△ R1704	1-249-409-91	CARBON 220 5% 1/4W	F
Q1805	8-729-021-74	TRANSISTOR 2SA949-OY		R1705	1-259-416-61	CARBON 330 5% 1/6W	
Q1851	6-550-031-01	TRANSISTOR HN4C06J-GRBL (TE85R)		R1706	1-259-440-61	CARBON 3.3K 5% 1/6W	
Q1852	8-729-042-09	TRANSISTOR 2SA1038S-RSE-TP		R1707	1-259-436-61	CARBON 2.2K 5% 1/6W	
Q1853	8-729-042-09	TRANSISTOR 2SA1038S-RSE-TP		R1709	1-260-116-11	CARBON 27K 5% 1/2W	
Q1854	8-729-021-73	TRANSISTOR 2SC2229-OY		△ R1711	1-249-405-91	CARBON 100 5% 1/4W	F
Q1855	8-729-021-74	TRANSISTOR 2SA949-OY		R1712	1-247-764-11	CARBON 10K 5% 1/2W	
Q1901	8-729-042-09	TRANSISTOR 2SA1038S-RSE-TP		R1713	1-247-759-11	CARBON 3.9K 5% 1/2W	
				R1714	1-249-496-11	CARBON 100K 5% 1/2W	
				R1751	1-259-428-61	CARBON 1K 5% 1/6W	
				R1752	1-259-476-61	CARBON 100K 5% 1/6W	

STR-DA5400ES

A CLASS AMP **AC**

Ref. No.	Part No.	Description			Remark
△ R1753	1-249-409-91	CARBON	220	5%	1/4W F
△ R1754	1-249-409-91	CARBON	220	5%	1/4W F
R1755	1-259-416-61	CARBON	330	5%	1/6W
R1756	1-259-440-61	CARBON	3.3K	5%	1/6W
R1757	1-259-436-61	CARBON	2.2K	5%	1/6W
R1759	1-260-116-11	CARBON	27K	5%	1/2W
△ R1761	1-249-405-91	CARBON	100	5%	1/4W F
R1762	1-247-764-11	CARBON	10K	5%	1/2W
R1763	1-247-759-11	CARBON	3.9K	5%	1/2W
R1764	1-249-496-11	CARBON	100K	5%	1/2W
R1801	1-259-428-61	CARBON	1K	5%	1/6W
R1802	1-259-476-61	CARBON	100K	5%	1/6W
△ R1803	1-249-409-91	CARBON	220	5%	1/4W F
△ R1804	1-249-409-91	CARBON	220	5%	1/4W F
R1805	1-259-416-61	CARBON	330	5%	1/6W
R1806	1-259-440-61	CARBON	3.3K	5%	1/6W
R1807	1-259-436-61	CARBON	2.2K	5%	1/6W
R1809	1-260-116-11	CARBON	27K	5%	1/2W
△ R1811	1-249-405-91	CARBON	100	5%	1/4W F
R1812	1-247-764-11	CARBON	10K	5%	1/2W
R1813	1-247-759-11	CARBON	3.9K	5%	1/2W
R1814	1-249-496-11	CARBON	100K	5%	1/2W
R1851	1-259-428-61	CARBON	1K	5%	1/6W
R1852	1-259-476-61	CARBON	100K	5%	1/6W
△ R1853	1-249-409-91	CARBON	220	5%	1/4W F
△ R1854	1-249-409-91	CARBON	220	5%	1/4W F
R1855	1-259-416-61	CARBON	330	5%	1/6W
R1856	1-259-440-61	CARBON	3.3K	5%	1/6W
R1857	1-259-436-61	CARBON	2.2K	5%	1/6W
R1859	1-260-116-11	CARBON	27K	5%	1/2W
△ R1861	1-249-405-91	CARBON	100	5%	1/4W F
R1862	1-247-764-11	CARBON	10K	5%	1/2W
R1863	1-247-759-11	CARBON	3.9K	5%	1/2W
R1864	1-249-496-11	CARBON	100K	5%	1/2W
R1901	1-259-460-61	CARBON	22K	5%	1/6W
R1902	1-259-460-61	CARBON	22K	5%	1/6W
△ R1903	1-249-393-91	CARBON	10	5%	1/4W F
R1904	1-259-460-61	CARBON	22K	5%	1/6W
△ R1905	1-216-455-51	METAL OXIDE	560	5%	2W F
R1906	1-259-460-61	CARBON	22K	5%	1/6W
R1907	1-259-476-61	CARBON	100K	5%	1/6W
△ R1908	1-215-888-51	METAL OXIDE	220	5%	2W F
R1909	1-249-435-11	CARBON	33K	5%	1/4W
R1910	1-247-891-00	CARBON	330K	5%	1/4W
R1920	1-247-831-91	CARBON	1K	5%	1/4W
R1921	1-247-862-11	CARBON	20K	5%	1/4W
R1922	1-247-843-11	CARBON	3.3K	5%	1/4W
R1924	1-249-429-11	CARBON	10K	5%	1/4W
R1925	1-247-864-11	CARBON	24K	5%	1/4W
R1927	1-249-429-11	CARBON	10K	5%	1/4W
R1930	1-249-429-11	CARBON	10K	5%	1/4W
R1931	1-247-831-91	CARBON	1K	5%	1/4W
R1932	1-249-429-11	CARBON	10K	5%	1/4W
R1936	1-249-426-11	CARBON	5.6K	5%	1/4W
R1937	1-249-421-11	CARBON	2.2K	5%	1/4W

Ref. No.	Part No.	Description			Remark
	A-1538-071-A	AC BOARD, COMPLETE (US, CND)			
	A-1538-134-A	AC BOARD, COMPLETE (AEP, ECE, UK)			

	7-685-646-79	SCREW +BVTP 3X8 TYPE2 IT-3			
		< CAPACITOR >			
C50	1-115-339-11	CERAMIC CHIP	0.1uF	10%	50V
C51	1-126-964-11	ELECT	10uF	20%	50V
C52	1-126-943-11	ELECT	2200uF	20%	25V
C53	1-126-943-11	ELECT	2200uF	20%	25V
C54	1-164-315-11	CERAMIC CHIP	470PF	5%	50V
C55	1-136-287-11	FILM	0.0047uF	5%	100V
C56	1-137-465-11	MYLAR	0.056uF	5%	100V
C57	1-126-941-11	ELECT	470uF	20%	25V
C58	1-100-566-91	CERAMIC CHIP	0.1uF	10%	25V
△ C59	1-113-925-51	CERAMIC	0.01uF	20%	250V
		< CONNECTOR >			
△ CN001	1-251-718-11	OUTLET (2 GANG), AC (AC OUTLET) (US, CND)			
△ CNP02	1-564-687-11	PIN, CONNECTOR (3.96mm PITCH) 3P			
△ CNP51	1-564-321-11	PIN, CONNECTOR (3.96mm PITCH) 2P			
CNP53	1-774-108-11	PIN, CONNECTOR (PC BOARD)			
CNP54	1-784-922-11	PIN, CONNECTOR 5P			
		< DIODE >			
D51	6-500-522-31	DIODE	10EDB40-TB5		
D52	6-500-522-31	DIODE	10EDB40-TB5		
D53	6-500-522-31	DIODE	10EDB40-TB5		
D54	6-500-522-31	DIODE	10EDB40-TB5		
D55	6-500-522-31	DIODE	10EDB40-TB5		
D56	6-501-817-01	DIODE	MA2J1110GLS0		
D57	6-501-817-01	DIODE	MA2J1110GLS0		
D58	6-501-817-01	DIODE	MA2J1110GLS0		
D61	8-719-069-56	DIODE	UDZSNPTE-176.2B		
		< EARTH TERMINAL >			
* EE51	1-537-738-21	TERMINAL, EARTH			
		< FUSE HOLDER >			
FH01	1-533-233-11	FUSE HOLDER			
FH02	1-533-233-11	FUSE HOLDER			
FH03	1-533-233-11	FUSE HOLDER (US, CND)			
FH04	1-533-233-11	FUSE HOLDER (US, CND)			
		< IC >			
IC51	8-759-450-47	IC	BA05T		
		< TRANSISTOR >			
Q51	8-729-620-07	TRANSISTOR	2SC3052EF-T1-LEF		
Q52	8-729-620-07	TRANSISTOR	2SC3052EF-T1-LEF		
Q53	8-729-027-52	TRANSISTOR	DTC124EKA-T146		
Q54	8-729-140-97	TRANSISTOR	2SB734-34		
Q55	8-729-027-52	TRANSISTOR	DTC124EKA-T146		
		< RESISTOR >			
R51	1-216-833-11	METAL CHIP	10K	5%	1/10W
R52	1-218-867-11	METAL CHIP	6.8K	0.5%	1/10W
R53	1-216-837-11	METAL CHIP	22K	5%	1/10W
R54	1-216-821-11	METAL CHIP	1K	5%	1/10W
R55	1-216-833-11	METAL CHIP	10K	5%	1/10W

AC

ACSW

ANALOG

Ref. No.	Part No.	Description	Remark	Ref. No.	Part No.	Description	Remark
R58	1-259-179-31	CARBON 3.3K 5%	1/4W	C424	1-163-251-11	CERAMIC CHIP 100PF 5%	50V
R59	1-216-833-11	METAL CHIP 10K 5%	1/10W	C425	1-164-690-91	CERAMIC CHIP 0.0022uF 5%	50V
R60	1-249-389-11	CARBON 4.7 5%	1/4W	C426	1-164-690-91	CERAMIC CHIP 0.0022uF 5%	50V
R61	1-216-819-11	METAL CHIP 680 5%	1/10W	C427	1-165-319-11	CERAMIC CHIP 0.1uF	50V
		< RELAY >		C431	1-163-251-11	CERAMIC CHIP 100PF 5%	50V
△ RY01	1-755-266-11	RELAY, AC POWER		C432	1-163-259-91	CERAMIC CHIP 220PF 5%	50V
		< TRANSFORMER >		C433	1-110-645-11	ELECT 10uF 20%	63V
△ T002	1-445-518-11	POWER SOURCE TRANSFORMER (US, CND)		C434	1-114-264-91	ELECT 470uF 20%	16V
△ T002	1-445-519-11	POWER SOURCE TRANSFORMER (AEP, ECE, UK)		C435	1-163-251-11	CERAMIC CHIP 100PF 5%	50V
		< THERMISTOR >		C436	1-125-896-91	MYLAR 0.0091uF 5%	50V
△ TH50	1-804-046-21	THERMISTOR, POSITIVE (RXE030)		C437	1-136-159-00	MYLAR 0.033uF 5%	50V
		*****		C438	1-110-645-11	ELECT 10uF 20%	63V
		ACSW BOARD		C439	1-163-033-91	CERAMIC CHIP 0.022uF	50V
		*****		C440	1-114-263-91	ELECT 47uF 20%	25V
		< CONNECTOR >		C451	1-163-251-11	CERAMIC CHIP 100PF 5%	50V
△ CN1	1-564-321-11	PIN, CONNECTOR (3.96mm PITCH) 2P		C452	1-163-259-91	CERAMIC CHIP 220PF 5%	50V
CN2	1-564-704-41	PIN, CONNECTOR (SMALL TYPE) 2P		C453	1-110-645-11	ELECT 10uF 20%	63V
		< SWITCH >		C454	1-114-264-91	ELECT 470uF 20%	16V
△ SW1	1-786-377-11	SWITCH, POWER (POWER)		C455	1-163-251-11	CERAMIC CHIP 100PF 5%	50V
		*****		C456	1-125-896-91	MYLAR 0.0091uF 5%	50V
	A-1538-077-A	ANALOG BOARD, COMPLETE (US, CND)		C457	1-136-159-00	MYLAR 0.033uF 5%	50V
	A-1538-712-A	ANALOG BOARD, COMPLETE (AEP, ECE, UK)		C458	1-110-645-11	ELECT 10uF 20%	63V
		*****		C459	1-163-033-91	CERAMIC CHIP 0.022uF	50V
		< CAPACITOR/JUMPER RESISTOR >		C460	1-114-263-91	ELECT 47uF 20%	25V
C391	1-165-319-11	CERAMIC CHIP 0.1uF	50V	C471	1-163-251-11	CERAMIC CHIP 100PF 5%	50V
C392	1-164-690-91	CERAMIC CHIP 0.0022uF 5%	50V	C472	1-110-390-11	ELECT 22uF 20%	63V
C393	1-164-690-91	CERAMIC CHIP 0.0022uF 5%	50V	C473	1-163-251-11	CERAMIC CHIP 100PF 5%	50V
C394	1-163-251-11	CERAMIC CHIP 100PF 5%	50V	C474	1-163-025-11	CERAMIC CHIP 0.001uF	50V
C395	1-163-251-11	CERAMIC CHIP 100PF 5%	50V	C481	1-163-251-11	CERAMIC CHIP 100PF 5%	50V
C396	1-164-690-91	CERAMIC CHIP 0.0022uF 5%	50V	C482	1-110-390-11	ELECT 22uF 20%	63V
C397	1-164-690-91	CERAMIC CHIP 0.0022uF 5%	50V	C483	1-163-251-11	CERAMIC CHIP 100PF 5%	50V
C398	1-165-319-11	CERAMIC CHIP 0.1uF	50V	C484	1-163-025-11	CERAMIC CHIP 0.001uF	50V
C401	1-165-319-11	CERAMIC CHIP 0.1uF	50V	C486	1-115-339-11	CERAMIC CHIP 0.1uF 10%	50V
C402	1-164-690-91	CERAMIC CHIP 0.0022uF 5%	50V	C491	1-163-251-11	CERAMIC CHIP 100PF 5%	50V
C403	1-164-690-91	CERAMIC CHIP 0.0022uF 5%	50V	C492	1-110-390-11	ELECT 22uF 20%	63V
C404	1-163-251-11	CERAMIC CHIP 100PF 5%	50V	C493	1-163-251-11	CERAMIC CHIP 100PF 5%	50V
C405	1-163-251-11	CERAMIC CHIP 100PF 5%	50V	C494	1-163-025-11	CERAMIC CHIP 0.001uF	50V
C406	1-164-690-91	CERAMIC CHIP 0.0022uF 5%	50V	C495	1-114-263-91	ELECT 47uF 20%	25V
C407	1-164-690-91	CERAMIC CHIP 0.0022uF 5%	50V	C501	1-163-251-11	CERAMIC CHIP 100PF 5%	50V
C408	1-165-319-11	CERAMIC CHIP 0.1uF	50V	C502	1-110-390-11	ELECT 22uF 20%	63V
C411	1-165-319-11	CERAMIC CHIP 0.1uF	50V	C503	1-163-251-11	CERAMIC CHIP 100PF 5%	50V
C412	1-164-690-91	CERAMIC CHIP 0.0022uF 5%	50V	C504	1-163-025-11	CERAMIC CHIP 0.001uF	50V
C413	1-164-690-91	CERAMIC CHIP 0.0022uF 5%	50V	C505	1-114-263-91	ELECT 47uF 20%	25V
C414	1-163-251-11	CERAMIC CHIP 100PF 5%	50V	C506	1-115-339-11	CERAMIC CHIP 0.1uF 10%	50V
C415	1-163-251-11	CERAMIC CHIP 100PF 5%	50V	C511	1-163-139-00	CERAMIC CHIP 820PF 5%	50V
C416	1-164-690-91	CERAMIC CHIP 0.0022uF 5%	50V	C513	1-163-025-11	CERAMIC CHIP 0.001uF	50V
C417	1-164-690-91	CERAMIC CHIP 0.0022uF 5%	50V	C521	1-163-139-00	CERAMIC CHIP 820PF 5%	50V
C418	1-165-319-11	CERAMIC CHIP 0.1uF	50V	C523	1-163-025-11	CERAMIC CHIP 0.001uF	50V
C419	1-163-251-11	CERAMIC CHIP 100PF 5%	50V	C530	1-163-139-00	CERAMIC CHIP 820PF 5%	50V
C421	1-165-319-11	CERAMIC CHIP 0.1uF	50V	C533	1-163-025-11	CERAMIC CHIP 0.001uF	50V
C422	1-164-690-91	CERAMIC CHIP 0.0022uF 5%	50V	C534	1-114-263-91	ELECT 47uF 20%	25V
C423	1-164-690-91	CERAMIC CHIP 0.0022uF 5%	50V	C540	1-163-139-00	CERAMIC CHIP 820PF 5%	50V
				C543	1-163-025-11	CERAMIC CHIP 0.001uF	50V
				C544	1-114-263-91	ELECT 47uF 20%	25V
				C551	1-163-139-00	CERAMIC CHIP 820PF 5%	50V
				C553	1-163-025-11	CERAMIC CHIP 0.001uF	50V
				C555	1-163-025-11	CERAMIC CHIP 0.001uF	50V
				C561	1-163-139-00	CERAMIC CHIP 820PF 5%	50V
				C563	1-163-025-11	CERAMIC CHIP 0.001uF	50V
				C581	1-163-251-11	CERAMIC CHIP 100PF 5%	50V
				C586	1-163-251-11	CERAMIC CHIP 100PF 5%	50V

STR-DA5400ES

ANALOG

Ref. No.	Part No.	Description	Remark	Ref. No.	Part No.	Description	Remark	
C591	1-163-139-00	CERAMIC CHIP	820PF	5%	50V	CN604	1-784-770-11	CONNECTOR, FFC 9P (US, CND)
C593	1-163-025-11	CERAMIC CHIP	0.001uF		50V	CN605	1-784-926-11	PIN, CONNECTOR 11P
C601	1-163-139-00	CERAMIC CHIP	820PF	5%	50V	CN606	1-779-978-11	PIN, CONNECTOR 3P
C603	1-163-025-11	CERAMIC CHIP	0.001uF		50V	CN607	1-784-927-11	PIN, CONNECTOR 12P
C611	1-163-139-00	CERAMIC CHIP	820PF	5%	50V	CN608	1-784-924-11	PIN, CONNECTOR 8P
C613	1-163-025-11	CERAMIC CHIP	0.001uF		50V	CN725	1-821-182-11	SOCKET, DIN 8P (SIRIUS) (US, CND)
C621	1-163-139-00	CERAMIC CHIP	820PF	5%	50V	CN726	1-770-405-11	CONNECTOR, BOARD TO BOARD 8P
C623	1-163-025-11	CERAMIC CHIP	0.001uF		50V	CN727	1-766-724-11	CONNECTOR, BOARD TO BOARD 7P
C631	1-163-251-11	CERAMIC CHIP	100PF	5%	50V			< DIODE >
C636	1-163-251-11	CERAMIC CHIP	100PF	5%	50V	D486	6-501-817-01	DIODE MA2J1110GLSO
C641	1-163-139-00	CERAMIC CHIP	820PF	5%	50V	D506	6-501-817-01	DIODE MA2J1110GLSO
C643	1-163-025-11	CERAMIC CHIP	0.001uF		50V			< IC >
C644	1-114-263-91	ELECT	47uF	20%	25V	IC391	6-712-360-01	IC TC9273CFG-013
C651	1-163-139-00	CERAMIC CHIP	820PF	5%	50V	IC392	6-710-005-01	IC TC9273CFG-004
C653	1-163-025-11	CERAMIC CHIP	0.001uF		50V	IC401	6-712-360-01	IC TC9273CFG-013
C654	1-114-263-91	ELECT	47uF	20%	25V	IC402	6-710-005-01	IC TC9273CFG-004
C661	1-163-251-11	CERAMIC CHIP	100PF	5%	50V	IC411	6-712-360-01	IC TC9273CFG-013
C666	1-163-251-11	CERAMIC CHIP	100PF	5%	50V	IC412	6-710-005-01	IC TC9273CFG-004
C671	1-163-139-00	CERAMIC CHIP	820PF	5%	50V	IC421	6-712-360-01	IC TC9273CFG-013
C673	1-163-025-11	CERAMIC CHIP	0.001uF		50V	IC422	6-710-005-01	IC TC9273CFG-004
C681	1-163-139-00	CERAMIC CHIP	820PF	5%	50V	IC440	8-759-710-97	IC NJM4565M-D
C683	1-163-025-11	CERAMIC CHIP	0.001uF		50V	IC480	8-759-710-97	IC NJM4565M-D
C692	1-114-262-21	ELECT	2200uF	20%	25V	IC520	8-759-710-97	IC NJM4565M-D
C693	1-114-262-21	ELECT	2200uF	20%	25V	IC540	8-759-710-97	IC NJM4565M-D
C694	1-112-090-11	ELECT	100uF	20%	25V	IC560	8-759-710-97	IC NJM4565M-D
C720	1-163-025-11	CERAMIC CHIP	0.001uF		50V (US, CND)	IC590	8-759-710-97	IC NJM4565M-D
C721	1-114-263-91	ELECT	47uF	20%	25V (US, CND)	IC600	8-759-710-97	IC NJM4565M-D
C722	1-114-263-91	ELECT	47uF	20%	25V (US, CND)	IC620	8-759-710-97	IC NJM4565M-D
C724	1-163-025-11	CERAMIC CHIP	0.001uF		50V (US, CND)	IC622	8-759-710-97	IC NJM4565M-D
C727	1-114-263-91	ELECT	47uF	20%	25V (US, CND)	IC624	8-759-710-97	IC NJM4565M-D (US, CND)
C728	1-114-263-91	ELECT	47uF	20%	25V (US, CND)	IC640	8-759-710-97	IC NJM4565M-D
C730	1-163-139-00	CERAMIC CHIP	820PF	5%	50V (US, CND)	IC654	6-701-011-01	IC uPC2910T-E1
C733	1-163-139-00	CERAMIC CHIP	820PF	5%	50V (US, CND)	IC672	8-759-710-97	IC NJM4565M-D
C734	1-114-263-91	ELECT	47uF	20%	25V			< JACK >
C735	1-115-339-11	CERAMIC CHIP	0.1uF	10%	50V	J430	1-821-674-11	JACK, PIN 2P (PHONO IN)
C736	1-112-085-11	ELECT	1000uF	20%	16V	J470	1-784-429-11	JACK, PIN 4P (ZONE 2/ZONE 3 AUDIO OUT)
C737	1-115-339-11	CERAMIC CHIP	0.1uF	10%	50V	J550	1-784-920-11	JACK, PIN 6P (SAT/DVD/BD AUDIO IN)
C741	1-126-947-11	ELECT	47uF	20%	35V	J620	1-784-920-11	JACK, PIN 6P (VIDEO 1 AUDIO IN/OUT, TV IN)
C742	1-126-947-11	ELECT	47uF	20%	35V	J650	1-784-429-11	JACK, PIN 4P (MD IN/OUT)
C745	1-163-025-11	CERAMIC CHIP	0.001uF		50V	J660	1-784-429-11	JACK, PIN 4P (TAPE IN/OUT)
C746	1-163-025-11	CERAMIC CHIP	0.001uF		50V			< COIL >
C747	1-114-263-91	ELECT	47uF	20%	25V	L730	1-414-493-41	INDUCTOR 4.7mH
C748	1-114-263-91	ELECT	47uF	20%	25V			< RESISTOR >
C749	1-216-295-91	SHORT CHIP	0			R391	1-216-615-11	METAL CHIP 33 0.5% 1/10W
C750	1-216-295-91	SHORT CHIP	0			R392	1-216-615-11	METAL CHIP 33 0.5% 1/10W
C751	1-216-295-91	SHORT CHIP	0			R393	1-216-627-11	METAL CHIP 100 0.5% 1/10W
C752	1-216-295-91	SHORT CHIP	0			R394	1-216-627-11	METAL CHIP 100 0.5% 1/10W
C753	1-216-295-91	SHORT CHIP	0			R395	1-216-627-11	METAL CHIP 100 0.5% 1/10W
C754	1-216-295-91	SHORT CHIP	0			R396	1-216-627-11	METAL CHIP 100 0.5% 1/10W
		< CONNECTOR >				R397	1-216-627-11	METAL CHIP 100 0.5% 1/10W
CN601	1-770-409-11	CONNECTOR, BOARD TO BOARD 16P				R399	1-216-615-11	METAL CHIP 33 0.5% 1/10W
CN603	1-568-830-11	CONNECTOR, FFC 11P (AEP, ECE, UK)				R400	1-216-615-11	METAL CHIP 33 0.5% 1/10W
						R401	1-216-615-11	METAL CHIP 33 0.5% 1/10W
						R402	1-216-615-11	METAL CHIP 33 0.5% 1/10W

Ref. No.	Part No.	Description			Remark	Ref. No.	Part No.	Description			Remark
R403	1-216-627-11	METAL CHIP	100	0.5%	1/10W	R487	1-208-453-41	RES-CHIP	4.7K	2%	1/10W
R404	1-216-627-11	METAL CHIP	100	0.5%	1/10W	△ R488	1-249-393-91	CARBON	10	5%	1/4W F
R405	1-216-627-11	METAL CHIP	100	0.5%	1/10W	R491	1-208-437-41	RES-CHIP	1K	2%	1/10W
R406	1-216-627-11	METAL CHIP	100	0.5%	1/10W	R492	1-208-453-41	RES-CHIP	4.7K	2%	1/10W
R407	1-216-627-11	METAL CHIP	100	0.5%	1/10W	R493	1-216-627-11	METAL CHIP	100	0.5%	1/10W
R408	1-216-615-11	METAL CHIP	33	0.5%	1/10W	R494	1-216-699-11	METAL CHIP	100K	0.5%	1/10W
R409	1-216-615-11	METAL CHIP	33	0.5%	1/10W	R495	1-208-526-41	RES-CHIP	47K	2%	1/10W
R410	1-216-627-11	METAL CHIP	100	0.5%	1/10W	R501	1-208-437-41	RES-CHIP	1K	2%	1/10W
R411	1-216-615-11	METAL CHIP	33	0.5%	1/10W	R502	1-208-453-41	RES-CHIP	4.7K	2%	1/10W
R412	1-216-615-11	METAL CHIP	33	0.5%	1/10W	R503	1-216-627-11	METAL CHIP	100	0.5%	1/10W
R413	1-216-627-11	METAL CHIP	100	0.5%	1/10W	R504	1-216-699-11	METAL CHIP	100K	0.5%	1/10W
R414	1-216-627-11	METAL CHIP	100	0.5%	1/10W	R505	1-208-526-41	RES-CHIP	47K	2%	1/10W
R415	1-216-627-11	METAL CHIP	100	0.5%	1/10W	R506	1-208-462-41	RES-CHIP	10K	2%	1/10W
R416	1-216-627-11	METAL CHIP	100	0.5%	1/10W	R507	1-208-453-41	RES-CHIP	4.7K	2%	1/10W
R417	1-216-627-11	METAL CHIP	100	0.5%	1/10W	△ R508	1-249-393-91	CARBON	10	5%	1/4W F
R418	1-216-615-11	METAL CHIP	33	0.5%	1/10W	R511	1-208-437-41	RES-CHIP	1K	2%	1/10W
R419	1-216-615-11	METAL CHIP	33	0.5%	1/10W	R512	1-208-526-41	RES-CHIP	47K	2%	1/10W
R420	1-216-627-11	METAL CHIP	100	0.5%	1/10W	R521	1-208-437-41	RES-CHIP	1K	2%	1/10W
R421	1-216-615-11	METAL CHIP	33	0.5%	1/10W	R522	1-208-526-41	RES-CHIP	47K	2%	1/10W
R422	1-216-615-11	METAL CHIP	33	0.5%	1/10W	R531	1-208-437-41	RES-CHIP	1K	2%	1/10W
R423	1-216-627-11	METAL CHIP	100	0.5%	1/10W	R532	1-208-526-41	RES-CHIP	47K	2%	1/10W
R424	1-216-627-11	METAL CHIP	100	0.5%	1/10W	R541	1-208-437-41	RES-CHIP	1K	2%	1/10W
R425	1-216-627-11	METAL CHIP	100	0.5%	1/10W	R542	1-208-526-41	RES-CHIP	47K	2%	1/10W
R426	1-216-627-11	METAL CHIP	100	0.5%	1/10W	R551	1-208-437-41	RES-CHIP	1K	2%	1/10W
R427	1-216-615-11	METAL CHIP	33	0.5%	1/10W	R552	1-208-526-41	RES-CHIP	47K	2%	1/10W
R428	1-216-615-11	METAL CHIP	33	0.5%	1/10W	R561	1-208-437-41	RES-CHIP	1K	2%	1/10W
R429	1-216-627-11	METAL CHIP	100	0.5%	1/10W	R562	1-208-526-41	RES-CHIP	47K	2%	1/10W
R430	1-216-627-11	METAL CHIP	100	0.5%	1/10W	R578	1-216-295-91	SHORT CHIP	0		
R431	1-208-445-41	RES-CHIP	2.2K	2%	1/10W	R580	1-216-295-91	SHORT CHIP	0		
R432	1-216-699-11	METAL CHIP	100K	0.5%	1/10W	R581	1-208-437-41	RES-CHIP	1K	2%	1/10W
R433	1-216-699-11	METAL CHIP	100K	0.5%	1/10W	R586	1-208-437-41	RES-CHIP	1K	2%	1/10W
R434	1-216-633-11	METAL CHIP	180	0.5%	1/10W	R591	1-208-437-41	RES-CHIP	1K	2%	1/10W
R435	1-216-673-11	METAL CHIP	8.2K	0.5%	1/10W	R592	1-208-526-41	RES-CHIP	47K	2%	1/10W
R436	1-216-699-11	METAL CHIP	100K	0.5%	1/10W	R601	1-208-437-41	RES-CHIP	1K	2%	1/10W
R437	1-216-627-11	METAL CHIP	100	0.5%	1/10W	R602	1-208-526-41	RES-CHIP	47K	2%	1/10W
R438	1-216-699-11	METAL CHIP	100K	0.5%	1/10W	R611	1-208-437-41	RES-CHIP	1K	2%	1/10W
R439	1-208-774-11	METAL CHIP	470	0.5%	1/10W	R612	1-208-526-41	RES-CHIP	47K	2%	1/10W
R440	1-216-635-11	METAL CHIP	220	0.5%	1/10W	R621	1-208-437-41	RES-CHIP	1K	2%	1/10W
R441	1-216-627-11	METAL CHIP	100	0.5%	1/10W	R622	1-208-526-41	RES-CHIP	47K	2%	1/10W
R451	1-208-445-41	RES-CHIP	2.2K	2%	1/10W	R631	1-208-437-41	RES-CHIP	1K	2%	1/10W
R452	1-216-699-11	METAL CHIP	100K	0.5%	1/10W	R636	1-208-437-41	RES-CHIP	1K	2%	1/10W
R453	1-216-699-11	METAL CHIP	100K	0.5%	1/10W	R641	1-208-437-41	RES-CHIP	1K	2%	1/10W
R454	1-216-633-11	METAL CHIP	180	0.5%	1/10W	R642	1-208-526-41	RES-CHIP	47K	2%	1/10W
R455	1-216-673-11	METAL CHIP	8.2K	0.5%	1/10W	R651	1-208-437-41	RES-CHIP	1K	2%	1/10W
R456	1-216-699-11	METAL CHIP	100K	0.5%	1/10W	R652	1-208-526-41	RES-CHIP	47K	2%	1/10W
R457	1-216-627-11	METAL CHIP	100	0.5%	1/10W	R661	1-208-437-41	RES-CHIP	1K	2%	1/10W
R458	1-216-699-11	METAL CHIP	100K	0.5%	1/10W	R666	1-208-437-41	RES-CHIP	1K	2%	1/10W
R459	1-208-774-11	METAL CHIP	470	0.5%	1/10W	R671	1-208-437-41	RES-CHIP	1K	2%	1/10W
R460	1-216-635-11	METAL CHIP	220	0.5%	1/10W	R672	1-208-526-41	RES-CHIP	47K	2%	1/10W
R471	1-208-437-41	RES-CHIP	1K	2%	1/10W	R681	1-208-437-41	RES-CHIP	1K	2%	1/10W
R472	1-208-453-41	RES-CHIP	4.7K	2%	1/10W	R682	1-208-526-41	RES-CHIP	47K	2%	1/10W
R473	1-216-627-11	METAL CHIP	100	0.5%	1/10W	R683	1-216-295-91	SHORT CHIP	0		
R474	1-216-699-11	METAL CHIP	100K	0.5%	1/10W	R684	1-216-295-91	SHORT CHIP	0		
R475	1-208-526-41	RES-CHIP	47K	2%	1/10W	R685	1-216-295-91	SHORT CHIP	0		
R481	1-208-437-41	RES-CHIP	1K	2%	1/10W	R686	1-216-295-91	SHORT CHIP	0		
R482	1-208-453-41	RES-CHIP	4.7K	2%	1/10W	R687	1-216-295-91	SHORT CHIP	0		
R483	1-216-627-11	METAL CHIP	100	0.5%	1/10W	R688	1-216-295-91	SHORT CHIP	0		
R484	1-216-699-11	METAL CHIP	100K	0.5%	1/10W	R689	1-216-295-91	SHORT CHIP	0		
R485	1-208-526-41	RES-CHIP	47K	2%	1/10W	R690	1-216-295-91	SHORT CHIP	0		
R486	1-208-462-41	RES-CHIP	10K	2%	1/10W						

STR-DA5400ES

ANALOG **A-VIDEO**

Ref. No.	Part No.	Description	Remark	Ref. No.	Part No.	Description	Remark
R711	1-208-526-41	RES-CHIP	47K 2%	1/10W (US, CND)	C6032	1-107-826-11	CERAMIC CHIP 0.1uF 10% 16V
R725	1-208-526-41	RES-CHIP	47K 2%	1/10W (US, CND)	C6033	1-107-826-11	CERAMIC CHIP 0.1uF 10% 16V
R741	1-216-627-11	METAL CHIP	100 0.5%	1/10W	C6034	1-126-947-11	ELECT 47uF 20% 35V
R742	1-216-627-11	METAL CHIP	100 0.5%	1/10W	C6035	1-126-947-11	ELECT 47uF 20% 35V
R743	1-216-627-11	METAL CHIP	100 0.5%	1/10W	C6037	1-104-658-91	ELECT 100uF 20% 10V
R744	1-216-627-11	METAL CHIP	100 0.5%	1/10W	C6038	1-104-658-91	ELECT 100uF 20% 10V
R745	1-216-627-11	METAL CHIP	100 0.5%	1/10W	C6039	1-107-826-11	CERAMIC CHIP 0.1uF 10% 16V
R746	1-216-627-11	METAL CHIP	100 0.5%	1/10W	C6040	1-107-826-11	CERAMIC CHIP 0.1uF 10% 16V
R747	1-216-627-11	METAL CHIP	100 0.5%	1/10W	C6041	1-104-658-91	ELECT 100uF 20% 10V
R751	1-216-295-91	SHORT CHIP	0 (AEP, ECE, UK)		C6043	1-107-826-11	CERAMIC CHIP 0.1uF 10% 16V
R751	1-216-308-00	METAL CHIP	4.7 5%	1/10W (US, CND)	C6047	1-126-947-11	ELECT 47uF 20% 35V
R753	1-208-526-41	RES-CHIP	47K 2%	1/10W	C6048	1-107-826-11	CERAMIC CHIP 0.1uF 10% 16V
R754	1-208-526-41	RES-CHIP	47K 2%	1/10W	C6049	1-107-826-11	CERAMIC CHIP 0.1uF 10% 16V
		< RELAY >			C6050	1-107-826-11	CERAMIC CHIP 0.1uF 10% 16V
RY486	1-755-486-11	RELAY			C6051	1-107-826-11	CERAMIC CHIP 0.1uF 10% 16V
RY506	1-755-486-11	RELAY			C6052	1-104-662-91	ELECT 22uF 20% 25V
		< TRANSISTOR >			C6053	1-107-826-11	CERAMIC CHIP 0.1uF 10% 16V
TR486	8-729-230-49	TRANSISTOR	2SC2712-YG		C6054	1-126-962-11	ELECT 3.3uF 20% 50V
TR506	8-729-230-49	TRANSISTOR	2SC2712-YG		C6055	1-126-962-11	ELECT 3.3uF 20% 50V
		< CAPACITOR >			C6056	1-104-658-91	ELECT 100uF 20% 10V
A-1538-078-A	A-VIDEO BOARD, COMPLETE (US, CND)				C6057	1-104-658-91	ELECT 100uF 20% 10V
A-1538-137-A	A-VIDEO BOARD, COMPLETE (AEP, ECE, UK)				C6058	1-107-826-11	CERAMIC CHIP 0.1uF 10% 16V
		< CAPACITOR >			C6059	1-107-826-11	CERAMIC CHIP 0.1uF 10% 16V
C6002	1-126-964-11	ELECT	10uF 20%	50V	C6060	1-107-826-11	CERAMIC CHIP 0.1uF 10% 16V
C6003	1-126-964-11	ELECT	10uF 20%	50V	C6061	1-107-826-11	CERAMIC CHIP 0.1uF 10% 16V
C6004	1-126-964-11	ELECT	10uF 20%	50V	C6062	1-107-826-11	CERAMIC CHIP 0.1uF 10% 16V
C6005	1-126-964-11	ELECT	10uF 20%	50V	C6063	1-126-947-11	ELECT 47uF 20% 35V
C6006	1-126-964-11	ELECT	10uF 20%	50V	C6064	1-126-916-11	ELECT 1000uF 20% 6.3V
C6007	1-126-964-11	ELECT	10uF 20%	50V	C6065	1-126-916-11	ELECT 1000uF 20% 6.3V
C6008	1-126-964-11	ELECT	10uF 20%	50V	C6066	1-107-826-11	CERAMIC CHIP 0.1uF 10% 16V
C6009	1-126-964-11	ELECT	10uF 20%	50V	C6067	1-162-927-11	CERAMIC CHIP 100PF 5% 50V
C6010	1-126-964-11	ELECT	10uF 20%	50V	C6068	1-162-927-11	CERAMIC CHIP 100PF 5% 50V
C6011	1-126-964-11	ELECT	10uF 20%	50V	C6069	1-100-717-91	CERAMIC CHIP 1uF 16V
C6012	1-126-964-11	ELECT	10uF 20%	50V	C6070	1-126-960-11	ELECT 1uF 20% 50V
C6013	1-126-964-11	ELECT	10uF 20%	50V	C6071	1-107-726-91	CERAMIC CHIP 0.01uF 10% 16V
C6014	1-126-964-11	ELECT	10uF 20%	50V	C6072	1-100-717-91	CERAMIC CHIP 1uF 16V
C6015	1-126-960-11	ELECT	1uF 20%	50V	C6073	1-104-665-11	ELECT 100uF 20% 25V
C6016	1-107-826-11	CERAMIC CHIP	0.1uF 10%	16V	C6074	1-126-964-11	ELECT 10uF 20% 50V
C6017	1-107-826-11	CERAMIC CHIP	0.1uF 10%	16V	C6075	1-126-964-11	ELECT 10uF 20% 50V
C6018	1-107-826-11	CERAMIC CHIP	0.1uF 10%	16V	C6076	1-126-964-11	ELECT 10uF 20% 50V
C6019	1-107-826-11	CERAMIC CHIP	0.1uF 10%	16V	C6077	1-126-964-11	ELECT 10uF 20% 50V
C6020	1-107-826-11	CERAMIC CHIP	0.1uF 10%	16V	C6078	1-126-964-11	ELECT 10uF 20% 50V
C6021	1-107-826-11	CERAMIC CHIP	0.1uF 10%	16V	C6079	1-126-964-11	ELECT 10uF 20% 50V
C6022	1-107-826-11	CERAMIC CHIP	0.1uF 10%	16V	C6080	1-107-826-11	CERAMIC CHIP 0.1uF 10% 16V
C6023	1-104-655-91	ELECT	470uF 20%	6.3V (US, CND)	C6081	1-107-826-11	CERAMIC CHIP 0.1uF 10% 16V
C6024	1-126-960-11	ELECT	1uF 20%	50V	C6082	1-126-923-91	ELECT 220uF 20% 10V
C6025	1-107-826-11	CERAMIC CHIP	0.1uF 10%	16V			(US, CND)
C6027	1-107-826-11	CERAMIC CHIP	0.1uF 10%	16V (US, CND)	C6083	1-104-658-91	ELECT 100uF 20% 10V
C6028	1-126-964-11	ELECT	10uF 20%	50V	C6084	1-126-916-11	ELECT 1000uF 20% 6.3V
C6029	1-107-826-11	CERAMIC CHIP	0.1uF 10%	16V	C6085	1-126-916-11	ELECT 1000uF 20% 6.3V
C6030	1-107-826-11	CERAMIC CHIP	0.1uF 10%	16V	C6086	1-126-916-11	ELECT 1000uF 20% 6.3V
C6031	1-107-826-11	CERAMIC CHIP	0.1uF 10%	16V			(US, CND)
		< CAPACITOR >			C6141	1-126-964-11	ELECT 10uF 20% 50V
		< CAPACITOR >			C6142	1-126-947-11	ELECT 47uF 20% 35V
		< CAPACITOR >			C6143	1-126-947-11	ELECT 47uF 20% 35V

Ref. No.	Part No.	Description	Remark	Ref. No.	Part No.	Description	Remark
C6144	1-126-947-11	ELECT	47uF 20% 35V			< RESISTOR >	
C6145	1-126-947-11	ELECT	47uF 20% 35V				
C6146	1-126-964-11	ELECT	10uF 20% 50V				
C6147	1-126-964-11	ELECT	10uF 20% 50V				
C6148	1-126-964-11	ELECT	10uF 20% 50V				
C6149	1-162-927-11	CERAMIC CHIP	100PF 5% 50V				
C6150	1-162-927-11	CERAMIC CHIP	100PF 5% 50V				
C6151	1-162-927-11	CERAMIC CHIP	100PF 5% 50V				
		< CONNECTOR >					
CN6000	1-815-920-11	JACK, MODULAR (ZONE 2 VIDEO OUT)	(US, CND)	R6002	1-211-990-11	METAL CHIP	75 0.5% 1/10W
CN6001	1-770-407-11	CONNECTOR, BOARD TO BOARD 12P		R6003	1-211-990-11	METAL CHIP	75 0.5% 1/10W
CN6002	1-770-406-11	CONNECTOR, BOARD TO BOARD 10P		R6004	1-211-990-11	METAL CHIP	75 0.5% 1/10W
CN6003	1-770-469-21	PIN, CONNECTOR (PC BOARD) 2P		R6005	1-216-833-11	METAL CHIP	10K 5% 1/10W
CN6008	1-691-768-11	PLUG (MICRO CONNECTOR) 6P		R6010	1-211-990-11	METAL CHIP	75 0.5% 1/10W
CN6009	1-564-320-00	PIN, CONNECTOR (3.96mm PITCH) 2P		R6011	1-211-990-11	METAL CHIP	75 0.5% 1/10W
		< DIODE >		R6012	1-211-990-11	METAL CHIP	75 0.5% 1/10W
D6001	6-501-817-01	DIODE MA2J1110GLSO		R6013	1-211-990-11	METAL CHIP	75 0.5% 1/10W
D6002	6-501-817-01	DIODE MA2J1110GLSO		R6014	1-211-990-11	METAL CHIP	75 0.5% 1/10W
D6003	6-501-817-01	DIODE MA2J1110GLSO		R6015	1-211-990-11	METAL CHIP	75 0.5% 1/10W
D6004	6-501-817-01	DIODE MA2J1110GLSO		R6016	1-211-990-11	METAL CHIP	75 0.5% 1/10W
D6005	6-501-817-01	DIODE MA2J1110GLSO		R6017	1-211-990-11	METAL CHIP	75 0.5% 1/10W
D6006	6-501-817-01	DIODE MA2J1110GLSO		R6018	1-211-990-11	METAL CHIP	75 0.5% 1/10W
D6007	8-719-210-39	DIODE EC10QS-04 (US, CND)		R6019	1-211-990-11	METAL CHIP	75 0.5% 1/10W
		< IC >		R6020	1-211-990-11	METAL CHIP	75 0.5% 1/10W
IC6001	6-706-767-01	IC NJM2586AM		R6021	1-211-990-11	METAL CHIP	75 0.5% 1/10W
IC6002	8-759-474-37	IC NJM2279M-TE2		R6022	1-211-990-11	METAL CHIP	75 0.5% 1/10W
IC6003	6-712-849-01	IC NJW1351RB1 (TE2)		R6024	1-211-990-11	METAL CHIP	75 0.5% 1/10W
IC6004	6-712-760-01	IC NJW1321FP1		R6025	1-211-990-11	METAL CHIP	75 0.5% 1/10W
IC6005	6-711-268-01	IC EL5370IUZ-T7 (US, CND)		R6026	1-211-990-11	METAL CHIP	75 0.5% 1/10W
IC6006	6-704-284-01	IC NJM2581M-TE2		R6027	1-211-990-11	METAL CHIP	75 0.5% 1/10W
IC6007	6-705-525-01	IC AN15856A		R6028	1-211-990-11	METAL CHIP	75 0.5% 1/10W
IC6008	8-759-822-05	IC LA7213		R6029	1-211-990-11	METAL CHIP	75 0.5% 1/10W
IC6009	8-759-822-05	IC LA7213		R6030	1-211-986-11	METAL CHIP	51 0.5% 1/10W
IC6010	6-705-469-01	IC BA50BC0FP-E2		R6031	1-211-986-11	METAL CHIP	51 0.5% 1/10W
IC6011	6-708-913-01	IC TK73400AU3G0L-C					(US, CND)
IC6012	6-700-394-01	IC BA25BC0FP-E2 (US, CND)		R6032	1-211-986-11	METAL CHIP	51 0.5% 1/10W
		< JACK >					(US, CND)
J6001	1-815-043-11	JACK, PIN 2P	(EXT VIDEO IN, MONITOR VIDEO OUT)	R6033	1-211-986-11	METAL CHIP	51 0.5% 1/10W
J6002	1-774-227-41	JACK, PIN 1P (ZONE 2 VIDEO OUT)		R6034	1-211-986-11	METAL CHIP	51 0.5% 1/10W
J6003	1-794-978-11	JACK, PIN 3P (SAT/DVD/BD VIDEO IN)					(US, CND)
J6004	1-815-043-11	JACK, PIN 2P (VIDEO 1 VIDEO IN/OUT)		R6035	1-211-986-11	METAL CHIP	51 0.5% 1/10W
J6005	1-821-278-12	JACK 3P (COMPONENT VIDEO ASSIGNABLE	(INPUT ONLY) ZONE 2 OUT)	R6036	1-211-990-11	METAL CHIP	75 0.5% 1/10W
J6006	1-821-278-12	JACK 3P (COMPONENT VIDEO ASSIGNABLE	(INPUT ONLY) MONITOR OUT)				(US, CND)
J6007	1-816-592-11	JACK, PIN 9P (COMPONENT VIDEO	ASSIGNABLE (INPUT ONLY) IN 1/IN 2/IN3)	R6037	1-211-990-11	METAL CHIP	75 0.5% 1/10W
		< TRANSISTOR >		R6038	1-211-990-11	METAL CHIP	75 0.5% 1/10W
Q6001	8-729-620-07	TRANSISTOR	2SC3052EF-T1-LEF	R6039	1-216-864-11	SHORT CHIP	0 (US, CND)
Q6002	8-729-620-07	TRANSISTOR	2SC3052EF-T1-LEF	R6040	1-216-864-11	SHORT CHIP	0 (US, CND)
Q6003	8-729-038-28	TRANSISTOR	RT1N441C-TP-1	R6041	1-216-864-11	SHORT CHIP	0 (US, CND)
Q6004	8-729-038-28	TRANSISTOR	RT1N441C-TP-1	R6045	1-216-815-11	METAL CHIP	330 5% 1/10W
				R6046	1-216-815-11	METAL CHIP	330 5% 1/10W
				R6047	1-216-815-11	METAL CHIP	330 5% 1/10W
				R6048	1-216-815-11	METAL CHIP	330 5% 1/10W
				R6049	1-216-847-11	METAL CHIP	150K 5% 1/10W
				R6050	1-216-847-11	METAL CHIP	150K 5% 1/10W
				R6051	1-216-829-11	METAL CHIP	4.7K 5% 1/10W
				R6052	1-216-829-11	METAL CHIP	4.7K 5% 1/10W
				R6053	1-216-821-11	METAL CHIP	1K 5% 1/10W
				R6054	1-216-821-11	METAL CHIP	1K 5% 1/10W
				R6055	1-218-903-11	METAL CHIP	220K 0.5% 1/10W
				R6056	1-218-883-11	METAL CHIP	33K 0.5% 1/10W
				R6064	1-211-990-11	METAL CHIP	75 0.5% 1/10W
				R6065	1-211-990-11	METAL CHIP	75 0.5% 1/10W
				R6066	1-211-990-11	METAL CHIP	75 0.5% 1/10W
				R6067	1-211-990-11	METAL CHIP	75 0.5% 1/10W

STR-DA5400ES

A-VIDEO **BIAS** **CIS**

Ref. No.	Part No.	Description	Remark
R6068	1-211-990-11	METAL CHIP 75	0.5% 1/10W
R6069	1-211-990-11	METAL CHIP 75	0.5% 1/10W
R6071	1-216-833-11	METAL CHIP 10K	5% 1/10W
R6072	1-216-809-11	METAL CHIP 100	5% 1/10W
R6073	1-216-809-11	METAL CHIP 100	5% 1/10W
R6074	1-216-809-11	METAL CHIP 100	5% 1/10W
R6075	1-216-809-11	METAL CHIP 100	5% 1/10W
R6078	1-216-817-11	METAL CHIP 470	5% 1/10W
(US, CND)			

A-1530-379-A		BIAS BOARD, COMPLETE	

< CAPACITOR >			
C1521	1-126-947-11	ELECT 47uF	20% 35V
C1571	1-126-947-11	ELECT 47uF	20% 35V
C1621	1-126-947-11	ELECT 47uF	20% 35V
C1721	1-126-947-11	ELECT 47uF	20% 35V
C1771	1-126-947-11	ELECT 47uF	20% 35V
C1821	1-126-947-11	ELECT 47uF	20% 35V
C1871	1-126-947-11	ELECT 47uF	20% 35V
C1905	1-126-965-91	ELECT 22uF	20% 50V
C1906	1-104-655-91	ELECT 470uF	20% 6.3V
C1907	1-128-805-11	CERAMIC 47PF	5% 50V
C1908	1-128-805-11	CERAMIC 47PF	5% 50V
< CONNECTOR >			
CN1512	1-766-719-41	CONNECTOR, BOARD TO BOARD 10P	
CN1513	1-784-031-41	CONNECTOR, BOARD TO BOARD 8P	
* CN1705	1-573-828-11	CONNECTOR, BOARD TO BOARD 14P	
* CN1803	1-573-828-11	CONNECTOR, BOARD TO BOARD 14P	
CN1910	1-770-010-21	CONNECTOR, BOARD TO BOARD 4P	
* CN1911	1-774-876-21	CONNECTOR, BOARD TO BOARD 8P	
< DIODE >			
D1904	8-719-991-33	DIODE 1SS133T-77	
D1905	8-719-991-33	DIODE 1SS133T-77	
D1908	8-719-991-33	DIODE 1SS133T-77	
D1909	8-719-991-33	DIODE 1SS133T-77	
D1910	8-719-991-33	DIODE 1SS133T-77	
< IC >			
IC1901	8-759-167-88	IC NJM4565D	
< TRANSISTOR >			
Q1904	8-729-281-53	TRANSISTOR 2SC1815-GR	
Q1905	8-729-140-84	TRANSISTOR 2SC1841-PAFAEA	
Q1906	8-729-042-09	TRANSISTOR 2SA1038S-RSE-TP	
Q1907	8-729-042-09	TRANSISTOR 2SA1038S-RSE-TP	
Q1908	8-729-029-86	TRANSISTOR DTC124ESA	
< RESISTOR >			
R1521	1-259-440-61	CARBON 3.3K	5% 1/6W
R1522	1-259-428-61	CARBON 1K	5% 1/6W
R1524	1-259-468-61	CARBON 47K	5% 1/6W
R1571	1-259-440-61	CARBON 3.3K	5% 1/6W
R1572	1-259-428-61	CARBON 1K	5% 1/6W
R1574	1-259-468-61	CARBON 47K	5% 1/6W
R1621	1-259-440-61	CARBON 3.3K	5% 1/6W
R1622	1-259-428-61	CARBON 1K	5% 1/6W

Ref. No.	Part No.	Description	Remark
R1624	1-259-468-61	CARBON 47K	5% 1/6W
R1721	1-259-440-61	CARBON 3.3K	5% 1/6W
R1722	1-259-428-61	CARBON 1K	5% 1/6W
R1724	1-259-468-61	CARBON 47K	5% 1/6W
R1771	1-259-440-61	CARBON 3.3K	5% 1/6W
R1772	1-259-428-61	CARBON 1K	5% 1/6W
R1774	1-259-468-61	CARBON 47K	5% 1/6W
R1821	1-259-440-61	CARBON 3.3K	5% 1/6W
R1822	1-259-428-61	CARBON 1K	5% 1/6W
R1824	1-259-468-61	CARBON 47K	5% 1/6W
R1871	1-259-440-61	CARBON 3.3K	5% 1/6W
R1872	1-259-428-61	CARBON 1K	5% 1/6W
R1874	1-259-468-61	CARBON 47K	5% 1/6W
R1911	1-247-863-91	CARBON 22K	5% 1/4W
R1912	1-249-429-11	CARBON 10K	5% 1/4W
R1913	1-249-429-11	CARBON 10K	5% 1/4W
R1914	1-247-863-91	CARBON 22K	5% 1/4W
R1915	1-247-863-91	CARBON 22K	5% 1/4W
R1916	1-249-430-11	CARBON 12K	5% 1/4W
R1917	1-247-895-00	CARBON 470K	5% 1/4W
R1918	1-247-871-91	CARBON 47K	5% 1/4W
R1919	1-249-429-11	CARBON 10K	5% 1/4W
R1923	1-247-831-91	CARBON 1K	5% 1/4W
R1929	1-249-429-11	CARBON 10K	5% 1/4W
< VARIABLE RESISTOR >			
RV1501	1-238-595-11	RES, ADJ, CARBON 220	
RV1551	1-238-595-11	RES, ADJ, CARBON 220	
RV1601	1-238-595-11	RES, ADJ, CARBON 220	
RV1701	1-238-595-11	RES, ADJ, CARBON 220	
RV1751	1-238-595-11	RES, ADJ, CARBON 220	
RV1801	1-238-595-11	RES, ADJ, CARBON 220	
RV1851	1-238-595-11	RES, ADJ, CARBON 220	

A-1538-073-A		CIS BOARD, COMPLETE (US, CND)	
A-1538-135-A		CIS BOARD, COMPLETE (AEP, ECE, UK)	

< CAPACITOR >			
C801	1-126-923-91	ELECT 220uF	20% 10V
C802	1-107-826-11	CERAMIC CHIP 0.1uF	10% 16V
C803	1-126-961-11	ELECT 2.2uF	20% 50V
C804	1-126-947-11	ELECT 47uF	20% 35V
C805	1-107-826-11	CERAMIC CHIP 0.1uF	10% 16V
C821	1-126-960-11	ELECT 1uF	20% 50V
C831	1-126-960-11	ELECT 1uF	20% 50V
C841	1-126-960-11	ELECT 1uF	20% 50V
C851	1-126-767-11	ELECT 1000uF	20% 16V
C852	1-107-826-11	CERAMIC CHIP 0.1uF	10% 16V
< CONNECTOR >			
CN807	1-779-281-11	CONNECTOR, FFC (LIF (NON-ZIF)) 13P	
< DIODE >			
D801	6-501-817-01	DIODE MA2J1110GLS0	
D802	8-719-075-86	LED SID307BRT19 (REMOTE CONTROL TRANSMITTER)	
D803	6-501-817-01	DIODE MA2J1110GLS0	

CIS	CONNECTOR1	CONNECTOR2	CONTROL
-----	------------	------------	---------

Ref. No.	Part No.	Description	Remark
		< IC >	
IC802	6-700-587-01	IC TC7W53F (TE12R)	
IC806	6-600-349-21	IC NJL23H400A	
		< JACK >	
J801	1-563-330-31	JACK (IR REMOTE IN)	
J802	1-563-330-31	JACK (IR REMOTE OUT 1)	
J803	1-563-330-31	JACK (IR REMOTE OUT 2)	
J821	1-563-330-31	JACK (TRIGGER OUT MAIN)	
J831	1-563-330-31	JACK (TRIGGER OUT ZONE 2)	
J841	1-563-330-31	JACK (TRIGGER OUT ZONE 3)	
		< TRANSISTOR >	
Q821	8-729-037-13	TRANSISTOR KTA1271Y	
Q822	8-729-027-43	TRANSISTOR DTC114EKA-T146	
Q831	8-729-037-13	TRANSISTOR KTA1271Y	
Q832	8-729-027-43	TRANSISTOR DTC114EKA-T146	
Q841	8-729-037-13	TRANSISTOR KTA1271Y	
Q842	8-729-027-43	TRANSISTOR DTC114EKA-T146	
		< RESISTOR >	
R801	1-216-833-11	METAL CHIP 10K 5% 1/10W	
R802	1-216-797-11	METAL CHIP 10 5% 1/10W	
R803	1-216-845-11	METAL CHIP 100K 5% 1/10W	
R804	1-216-833-11	METAL CHIP 10K 5% 1/10W	
R805	1-216-845-11	METAL CHIP 100K 5% 1/10W	
R806	1-216-809-11	METAL CHIP 100 5% 1/10W	
R807	1-216-809-11	METAL CHIP 100 5% 1/10W	
R808	1-216-809-11	METAL CHIP 100 5% 1/10W	
R809	1-216-295-91	SHORT CHIP 0	
R811	1-216-150-91	METAL CHIP 10 5% 1/8W	
R812	1-216-150-91	METAL CHIP 10 5% 1/8W	
R822	1-216-833-11	METAL CHIP 10K 5% 1/10W	
R823	1-216-825-11	METAL CHIP 2.2K 5% 1/10W	
R824	1-216-833-11	METAL CHIP 10K 5% 1/10W	
R825	1-216-809-11	METAL CHIP 100 5% 1/10W	
R832	1-216-833-11	METAL CHIP 10K 5% 1/10W	
R833	1-216-825-11	METAL CHIP 2.2K 5% 1/10W	
R834	1-216-833-11	METAL CHIP 10K 5% 1/10W	
R835	1-216-809-11	METAL CHIP 100 5% 1/10W	
R842	1-216-833-11	METAL CHIP 10K 5% 1/10W	
R843	1-216-825-11	METAL CHIP 2.2K 5% 1/10W	
R844	1-216-833-11	METAL CHIP 10K 5% 1/10W	
R845	1-216-809-11	METAL CHIP 100 5% 1/10W	
		< THERMISTOR >	
TH821	1-801-726-11	THERMISTOR, POSITIVE	
TH831	1-801-726-11	THERMISTOR, POSITIVE	
TH841	1-801-726-11	THERMISTOR, POSITIVE	

		CONNECTOR1 BOARD	

		< CONNECTOR >	
CN1207	1-573-844-11	CONNECTOR, BOARD TO BOARD 12P	
CN1209	1-573-844-11	CONNECTOR, BOARD TO BOARD 12P	

Ref. No.	Part No.	Description	Remark
		CONNECTOR2 BOARD	

		< CONNECTOR >	
CN1205	1-573-847-11	CONNECTOR, BOARD TO BOARD 15P	
CN1206	1-573-847-11	CONNECTOR, BOARD TO BOARD 15P	

	A-1538-081-A	CONTROL BOARD, COMPLETE (US, CND)	
	A-1538-140-A	CONTROL BOARD, COMPLETE (AEP, ECE, UK)	

		< CAPACITOR >	
C2501	1-117-720-11	CERAMIC CHIP 4.7uF	10V
C2502	1-107-826-11	CERAMIC CHIP 0.1uF	10% 16V
C2503	1-107-826-11	CERAMIC CHIP 0.1uF	10% 16V
C2504	1-107-826-11	CERAMIC CHIP 0.1uF	10% 16V
C2505	1-107-826-11	CERAMIC CHIP 0.1uF	10% 16V
C2506	1-117-720-11	CERAMIC CHIP 4.7uF	10V
C2507	1-104-658-91	ELECT 100uF	20% 10V
C2508	1-126-947-11	ELECT 47uF	20% 35V
C2509	1-107-826-11	CERAMIC CHIP 0.1uF	10% 16V
C2510	1-107-826-11	CERAMIC CHIP 0.1uF	10% 16V
C2511	1-107-826-11	CERAMIC CHIP 0.1uF	10% 16V
C2512	1-117-720-11	CERAMIC CHIP 4.7uF	10V
C2513	1-117-720-11	CERAMIC CHIP 4.7uF	10V
C2514	1-107-826-11	CERAMIC CHIP 0.1uF	10% 16V
C2516	1-100-717-91	CERAMIC CHIP 1uF	16V
C2517	1-107-826-11	CERAMIC CHIP 0.1uF	10% 16V
C2518	1-107-826-11	CERAMIC CHIP 0.1uF	10% 16V
C2519	1-126-960-11	ELECT 1uF	20% 50V
C2520	1-107-826-11	CERAMIC CHIP 0.1uF	10% 16V
C2521	1-117-720-11	CERAMIC CHIP 4.7uF	10V
C2522	1-162-927-11	CERAMIC CHIP 100PF	5% 50V
C2523	1-117-720-11	CERAMIC CHIP 4.7uF	10V
C2524	1-107-826-11	CERAMIC CHIP 0.1uF	10% 16V
C2525	1-107-826-11	CERAMIC CHIP 0.1uF	10% 16V
C2526	1-107-826-11	CERAMIC CHIP 0.1uF	10% 16V
C2527	1-107-826-11	CERAMIC CHIP 0.1uF	10% 16V
C2528	1-107-826-11	CERAMIC CHIP 0.1uF	10% 16V
C2530	1-104-662-91	ELECT 22uF	20% 25V
C2531	1-107-826-11	CERAMIC CHIP 0.1uF	10% 16V
C2532	1-117-720-11	CERAMIC CHIP 4.7uF	10V
C2533	1-107-826-11	CERAMIC CHIP 0.1uF	10% 16V
C2534	1-107-826-11	CERAMIC CHIP 0.1uF	10% 16V
C2535	1-107-826-11	CERAMIC CHIP 0.1uF	10% 16V
C2536	1-107-826-11	CERAMIC CHIP 0.1uF	10% 16V
C2537	1-107-826-11	CERAMIC CHIP 0.1uF	10% 16V
C2538	1-117-720-11	CERAMIC CHIP 4.7uF	10V
C2539	1-162-974-11	CERAMIC CHIP 0.01uF	50V
C2540	1-107-826-11	CERAMIC CHIP 0.1uF	10% 16V
C2541	1-162-974-11	CERAMIC CHIP 0.01uF	50V
C2542	1-107-826-11	CERAMIC CHIP 0.1uF	10% 16V
C2543	1-162-974-11	CERAMIC CHIP 0.01uF	50V
C2544	1-162-974-11	CERAMIC CHIP 0.01uF	50V
C2545	1-107-826-11	CERAMIC CHIP 0.1uF	10% 16V
C2546	1-107-826-11	CERAMIC CHIP 0.1uF	10% 16V
C2547	1-107-826-11	CERAMIC CHIP 0.1uF	10% 16V
C2548	1-162-974-11	CERAMIC CHIP 0.01uF	50V
C2549	1-162-974-11	CERAMIC CHIP 0.01uF	50V
C2550	1-162-974-11	CERAMIC CHIP 0.01uF	50V

STR-DA5400ES

CONTROL

Ref. No.	Part No.	Description	Remark	Ref. No.	Part No.	Description	Remark
C2551	1-162-974-11	CERAMIC CHIP 0.01uF	50V				
C2552	1-162-974-11	CERAMIC CHIP 0.01uF	50V			< IC >	
C2553	1-107-826-11	CERAMIC CHIP 0.1uF	10% 16V	IC2501	8-759-679-36	IC TC7WT125FU (TE12R)	
C2554	1-107-826-11	CERAMIC CHIP 0.1uF	10% 16V	IC2502	6-706-487-01	IC TC7SH08FU (T5RSOYJF)	
C2555	1-107-826-11	CERAMIC CHIP 0.1uF	10% 16V	IC2503	6-706-487-01	IC TC7SH08FU (T5RSOYJF)	
C2556	1-107-826-11	CERAMIC CHIP 0.1uF	10% 16V	IC2504	6-706-478-01	IC TC7SET08FU (T5RSOJF)	
C2557	1-107-826-11	CERAMIC CHIP 0.1uF	10% 16V	IC2505	8-759-277-63	IC TC7W14FU (TE12R)	
C2558	1-117-720-11	CERAMIC CHIP 4.7uF	10V	IC2506	8-759-524-09	IC TC74VHC153FT (EL)	
C2559	1-107-826-11	CERAMIC CHIP 0.1uF	10% 16V	IC2507	8-759-524-09	IC TC74VHC153FT (EL)	
C2560	1-107-826-11	CERAMIC CHIP 0.1uF	10% 16V	IC2508	6-710-121-01	IC M24256-BWMM6TP (A)	
C2561	1-107-826-11	CERAMIC CHIP 0.1uF	10% 16V	IC2509	8-759-277-63	IC TC7W14FU (TE12R)	
C2562	1-117-720-11	CERAMIC CHIP 4.7uF	10V	IC2510	6-702-913-01	IC S-80929CNMC-G8ZT2G	
C2563	1-117-720-11	CERAMIC CHIP 4.7uF	10V	IC2511	6-705-468-01	IC BA33BC0FP-E2	
C2564	1-107-826-11	CERAMIC CHIP 0.1uF	10% 16V	IC2512	8-759-058-62	IC TC7S08FU (TE85R)	
C2565	1-107-826-11	CERAMIC CHIP 0.1uF	10% 16V	IC2513	A-1566-607-A	IC MB91F467RAPMC-GE1 (for SERVICE)	
C2566	1-107-826-11	CERAMIC CHIP 0.1uF	10% 16V			< TRANSISTOR >	
C2567	1-107-826-11	CERAMIC CHIP 0.1uF	10% 16V				
C2568	1-107-826-11	CERAMIC CHIP 0.1uF	10% 16V	Q2501	8-729-027-43	TRANSISTOR DTC114EKA-T146	
C2569	1-107-826-11	CERAMIC CHIP 0.1uF	10% 16V	Q2502	8-729-620-07	TRANSISTOR 2SC3052EF-T1-LEF	
C2570	1-162-960-11	CERAMIC CHIP 220PF	10% 50V	Q2503	8-729-620-07	TRANSISTOR 2SC3052EF-T1-LEF	
		< CONNECTOR >		Q2504	6-551-696-01	TRANSISTOR ISA1235AC1TP-1EF	
CN2501	1-770-411-11	CONNECTOR, BOARD TO BOARD 20P				< RESISTOR >	
CN2502	1-770-382-11	CONNECTOR, BOARD TO BOARD 12P		R2501	1-216-809-11	METAL CHIP 100 5% 1/10W	
CN2503	1-770-384-21	CONNECTOR, BOARD TO BOARD 16P		R2502	1-216-809-11	METAL CHIP 100 5% 1/10W	
CN2504	1-770-386-11	CONNECTOR, BOARD TO BOARD 20P		R2503	1-216-809-11	METAL CHIP 100 5% 1/10W	
CN2505	1-770-382-11	CONNECTOR, BOARD TO BOARD 12P		R2504	1-216-809-11	METAL CHIP 100 5% 1/10W	
CN2506	1-770-410-11	CONNECTOR, BOARD TO BOARD 18P		R2505	1-216-809-11	METAL CHIP 100 5% 1/10W	
CN2507	1-770-381-11	CONNECTOR, BOARD TO BOARD 10P		R2506	1-216-809-11	METAL CHIP 100 5% 1/10W	
CN2508	1-770-380-11	CONNECTOR, BOARD TO BOARD 8P		R2507	1-216-809-11	METAL CHIP 100 5% 1/10W	
CN2509	1-770-386-11	CONNECTOR, BOARD TO BOARD 20P		R2508	1-216-809-11	METAL CHIP 100 5% 1/10W	
CN2510	1-779-550-21	CONNECTOR, FFC (LIF (NON-ZIF)) 13P		R2509	1-216-809-11	METAL CHIP 100 5% 1/10W	
CN2512	1-766-600-21	CONNECTOR, BOARD TO BOARD 7P		R2510	1-216-809-11	METAL CHIP 100 5% 1/10W	
CN2513	1-770-411-11	CONNECTOR, BOARD TO BOARD 20P		R2511	1-216-809-11	METAL CHIP 100 5% 1/10W	
CN2514	1-785-125-21	CONNECTOR 6P		R2512	1-216-809-11	METAL CHIP 100 5% 1/10W	
CN2515	1-770-406-11	CONNECTOR, BOARD TO BOARD 10P		R2513	1-216-809-11	METAL CHIP 100 5% 1/10W	
CN2516	1-784-930-11	PIN, CONNECTOR 15P		R2514	1-216-809-11	METAL CHIP 100 5% 1/10W	
CN2519	1-779-799-11	PIN, CONNECTOR 9P		R2515	1-216-809-11	METAL CHIP 100 5% 1/10W	
CN2520	1-784-928-11	PIN, CONNECTOR 13P		R2516	1-216-809-11	METAL CHIP 100 5% 1/10W	
		< DIODE >		R2517	1-216-809-11	METAL CHIP 100 5% 1/10W	
D2501	6-501-817-01	DIODE MA2J1110GLS0		R2518	1-216-809-11	METAL CHIP 100 5% 1/10W	
D2502	6-501-817-01	DIODE MA2J1110GLS0		R2519	1-216-809-11	METAL CHIP 100 5% 1/10W	
D2503	6-501-817-01	DIODE MA2J1110GLS0		R2520	1-216-841-11	METAL CHIP 47K 5% 1/10W	
D2504	6-501-817-01	DIODE MA2J1110GLS0		R2521	1-216-809-11	METAL CHIP 100 5% 1/10W	
D2505	6-501-817-01	DIODE MA2J1110GLS0		R2522	1-216-809-11	METAL CHIP 100 5% 1/10W	
D2506	8-719-060-48	DIODE RB751V-40TE-17		R2523	1-216-809-11	METAL CHIP 100 5% 1/10W	
D2507	6-501-817-01	DIODE MA2J1110GLS0		R2524	1-216-809-11	METAL CHIP 100 5% 1/10W	
D2508	6-501-817-01	DIODE MA2J1110GLS0		R2525	1-216-809-11	METAL CHIP 100 5% 1/10W	
		< FERRITE BEAD >		R2526	1-216-809-11	METAL CHIP 100 5% 1/10W	
FB2501	1-469-152-11	FERRITE, EMI (SMD) (2012)		R2527	1-216-809-11	METAL CHIP 100 5% 1/10W	
FB2502	1-469-152-11	FERRITE, EMI (SMD) (2012)		R2528	1-216-809-11	METAL CHIP 100 5% 1/10W	
FB2503	1-469-152-11	FERRITE, EMI (SMD) (2012)		R2529	1-216-805-11	METAL CHIP 47 5% 1/10W	
FB2504	1-469-152-11	FERRITE, EMI (SMD) (2012)		R2530	1-216-809-11	METAL CHIP 100 5% 1/10W	
FB2505	1-469-152-11	FERRITE, EMI (SMD) (2012)		R2531	1-216-809-11	METAL CHIP 100 5% 1/10W	
FB2506	1-469-152-11	FERRITE, EMI (SMD) (2012)		R2532	1-216-809-11	METAL CHIP 100 5% 1/10W	
FB2507	1-469-152-11	FERRITE, EMI (SMD) (2012)		R2533	1-216-809-11	METAL CHIP 100 5% 1/10W	
FB2508	1-469-152-11	FERRITE, EMI (SMD) (2012)		R2534	1-216-809-11	METAL CHIP 100 5% 1/10W	
FB2509	1-469-152-11	FERRITE, EMI (SMD) (2012)		R2535	1-216-809-11	METAL CHIP 100 5% 1/10W	
				R2536	1-216-809-11	METAL CHIP 100 5% 1/10W	
				R2537	1-216-809-11	METAL CHIP 100 5% 1/10W	

STR-DA5400ES

CONTROL **D CONNECT** **D VIDEO**

Ref. No.	Part No.	Description	Quantity	Tolerance	Remark
R2665	1-216-809-11	METAL CHIP	100	5%	1/10W
R2666	1-216-809-11	METAL CHIP	100	5%	1/10W
R2667	1-216-809-11	METAL CHIP	100	5%	1/10W
R2668	1-216-833-11	METAL CHIP	10K	5%	1/10W
R2669	1-216-809-11	METAL CHIP	100	5%	1/10W
R2671	1-216-809-11	METAL CHIP	100	5%	1/10W
R2672	1-216-809-11	METAL CHIP	100	5%	1/10W
R2673	1-216-809-11	METAL CHIP	100	5%	1/10W
R2674	1-216-809-11	METAL CHIP	100	5%	1/10W
R2675	1-216-825-11	METAL CHIP	2.2K	5%	1/10W
R2676	1-216-833-11	METAL CHIP	10K	5%	1/10W
R2677	1-216-809-11	METAL CHIP	100	5%	1/10W
R2678	1-216-864-11	SHORT CHIP	0 (AEP, ECE, UK)		
R2679	1-216-833-11	METAL CHIP	10K	5%	1/10W (US, CND)
R2680	1-216-833-11	METAL CHIP	10K	5%	1/10W
R2681	1-216-833-11	METAL CHIP	10K	5%	1/10W
R2682	1-216-833-11	METAL CHIP	10K	5%	1/10W
R2683	1-216-821-11	METAL CHIP	1K	5%	1/10W
R2684	1-216-833-11	METAL CHIP	10K	5%	1/10W
R2685	1-216-833-11	METAL CHIP	10K	5%	1/10W
R2686	1-216-833-11	METAL CHIP	10K	5%	1/10W
R2687	1-216-825-11	METAL CHIP	2.2K	5%	1/10W
R2688	1-216-825-11	METAL CHIP	2.2K	5%	1/10W
R2689	1-216-833-11	METAL CHIP	10K	5%	1/10W
R2690	1-216-833-11	METAL CHIP	10K	5%	1/10W
R2692	1-216-833-11	METAL CHIP	10K	5%	1/10W
R2693	1-216-833-11	METAL CHIP	10K	5%	1/10W
R2694	1-216-833-11	METAL CHIP	10K	5%	1/10W
R2695	1-216-809-11	METAL CHIP	100	5%	1/10W
R2696	1-216-813-11	METAL CHIP	220	5%	1/10W
R2697	1-216-685-11	METAL CHIP	27K	0.5%	1/10W
R2698	1-216-833-11	METAL CHIP	10K	5%	1/10W
R2699	1-216-821-11	METAL CHIP	1K	5%	1/10W
R2700	1-216-837-11	METAL CHIP	22K	5%	1/10W
R2701	1-216-837-11	METAL CHIP	22K	5%	1/10W
R2702	1-216-864-11	SHORT CHIP	0		
R2703	1-216-833-11	METAL CHIP	10K	5%	1/10W
R2704	1-216-809-11	METAL CHIP	100	5%	1/10W
R2705	1-216-809-11	METAL CHIP	100	5%	1/10W
R2706	1-216-809-11	METAL CHIP	100	5%	1/10W
R2707	1-216-809-11	METAL CHIP	100	5%	1/10W
R2708	1-216-809-11	METAL CHIP	100	5%	1/10W
R2709	1-216-805-11	METAL CHIP	47	5%	1/10W
R2710	1-216-805-11	METAL CHIP	47	5%	1/10W
R2711	1-216-805-11	METAL CHIP	47	5%	1/10W
R2712	1-216-805-11	METAL CHIP	47	5%	1/10W
R2713	1-216-833-11	METAL CHIP	10K	5%	1/10W
R2714	1-216-833-11	METAL CHIP	10K	5%	1/10W
R2715	1-216-833-11	METAL CHIP	10K	5%	1/10W
R2716	1-216-809-11	METAL CHIP	100	5%	1/10W
R2717	1-216-833-11	METAL CHIP	10K	5%	1/10W

< VIBRATOR >

X2501 1-781-646-21 VIBRATOR, CERAMIC (4MHz)

Ref. No.	Part No.	Description	Quantity	Tolerance	Remark
		D CONNECT BOARD			*****
		< CONNECTOR >			
CN2403	1-770-385-11	CONNECTOR, BOARD TO BOARD 18P			
CN2404	1-770-385-11	CONNECTOR, BOARD TO BOARD 18P			
CN2405	1-770-386-11	CONNECTOR, BOARD TO BOARD 20P			
CN2406	1-770-386-11	CONNECTOR, BOARD TO BOARD 20P			

A	A-1538-094-A	D VIDEO BOARD, COMPLETE (for SERVICE)			*****
		< CAPACITOR/JUMPER RESISTOR >			
C3002	1-216-864-11	SHORT CHIP	0		
C3005	1-216-864-11	SHORT CHIP	0		
C3008	1-216-864-11	SHORT CHIP	0		
C3011	1-216-864-11	SHORT CHIP	0		
C3014	1-216-864-11	SHORT CHIP	0		
C3017	1-216-864-11	SHORT CHIP	0		
C3020	1-216-864-11	SHORT CHIP	0		
C3021	1-216-864-11	SHORT CHIP	0		
C3023	1-216-864-11	SHORT CHIP	0		
C3026	1-216-864-11	SHORT CHIP	0		
C3029	1-216-864-11	SHORT CHIP	0		
C3032	1-216-864-11	SHORT CHIP	0		
C3217	1-107-826-11	CERAMIC CHIP	0.1uF	10%	16V
C3218	1-125-777-11	CERAMIC CHIP	0.1uF	10%	10V
C3220	1-165-989-11	CERAMIC CHIP	10uF	10%	6.3V
C3221	1-107-826-11	CERAMIC CHIP	0.1uF	10%	16V
C3222	1-107-826-11	CERAMIC CHIP	0.1uF	10%	16V
C3252	1-126-206-11	ELECT CHIP	100uF	20%	6.3V
C3253	1-164-173-11	CERAMIC CHIP	0.0039uF	10%	50V
C3254	1-162-964-11	CERAMIC CHIP	0.001uF	10%	50V
C3255	1-164-733-11	CERAMIC CHIP	820PF	10%	50V
C3256	1-127-956-21	FILM CHIP	0.1uF	5%	16V
C3257	1-115-467-11	CERAMIC CHIP	0.22uF	10%	10V
C3258	1-127-956-21	FILM CHIP	0.1uF	5%	16V
C3259	1-115-467-11	CERAMIC CHIP	0.22uF	10%	10V
C3260	1-115-467-11	CERAMIC CHIP	0.22uF	10%	10V
C3261	1-115-467-11	CERAMIC CHIP	0.22uF	10%	10V
C3264	1-107-826-11	CERAMIC CHIP	0.1uF	10%	16V
C3265	1-126-207-11	ELECT CHIP	33uF	20%	4V
C3274	1-125-777-11	CERAMIC CHIP	0.1uF	10%	10V
C3311	1-162-919-11	CERAMIC CHIP	22PF	5%	50V
C3333	1-107-826-11	CERAMIC CHIP	0.1uF	10%	16V
C3334	1-126-205-11	ELECT CHIP	47uF	20%	6.3V
C3402	1-126-206-11	ELECT CHIP	100uF	20%	6.3V
C3403	1-126-206-11	ELECT CHIP	100uF	20%	6.3V
C3425	1-107-826-11	CERAMIC CHIP	0.1uF	10%	16V
C3426	1-126-205-11	ELECT CHIP	47uF	20%	6.3V
C3441	1-107-826-11	CERAMIC CHIP	0.1uF	10%	16V
C3442	1-107-826-11	CERAMIC CHIP	0.1uF	10%	16V
C3443	1-107-826-11	CERAMIC CHIP	0.1uF	10%	16V
C3451	1-162-970-11	CERAMIC CHIP	0.01uF	10%	25V
C3452	1-115-467-11	CERAMIC CHIP	0.22uF	10%	10V
C3453	1-115-467-11	CERAMIC CHIP	0.22uF	10%	10V
C3454	1-107-826-11	CERAMIC CHIP	0.1uF	10%	16V
C3457	1-165-671-21	ELECT CHIP	470uF	20%	6.3V
C3458	1-165-671-21	ELECT CHIP	470uF	20%	6.3V
C3481	1-107-726-91	CERAMIC CHIP	0.01uF	10%	16V

Ref. No.	Part No.	Description			Remark	Ref. No.	Part No.	Description			Remark
C3743	1-125-777-11	CERAMIC CHIP	0.1uF	10%	10V	C3806	1-112-300-91	CERAMIC CHIP	4.7uF	10%	10V
C3744	1-125-777-11	CERAMIC CHIP	0.1uF	10%	10V	C3807	1-107-826-11	CERAMIC CHIP	0.1uF	10%	16V
C3745	1-125-777-11	CERAMIC CHIP	0.1uF	10%	10V	C3808	1-112-300-91	CERAMIC CHIP	4.7uF	10%	10V
C3747	1-165-669-21	ELECT CHIP	220uF	20%	6.3V	C3809	1-107-826-11	CERAMIC CHIP	0.1uF	10%	16V
C3748	1-107-826-11	CERAMIC CHIP	0.1uF	10%	16V	C3810	1-112-300-91	CERAMIC CHIP	4.7uF	10%	10V
C3749	1-126-205-11	ELECT CHIP	47uF	20%	6.3V	C3811	1-107-826-11	CERAMIC CHIP	0.1uF	10%	16V
C3750	1-126-205-11	ELECT CHIP	47uF	20%	6.3V	C3812	1-107-826-11	CERAMIC CHIP	0.1uF	10%	16V
C3751	1-126-205-11	ELECT CHIP	47uF	20%	6.3V	C3813	1-107-826-11	CERAMIC CHIP	0.1uF	10%	16V
C3752	1-107-826-11	CERAMIC CHIP	0.1uF	10%	16V	C3814	1-112-300-91	CERAMIC CHIP	4.7uF	10%	10V
C3753	1-107-826-11	CERAMIC CHIP	0.1uF	10%	16V	C3815	1-107-826-11	CERAMIC CHIP	0.1uF	10%	16V
C3754	1-125-777-11	CERAMIC CHIP	0.1uF	10%	10V	C3816	1-107-826-11	CERAMIC CHIP	0.1uF	10%	16V
C3755	1-100-567-81	CERAMIC CHIP	0.01uF	10%	25V	C3817	1-107-826-11	CERAMIC CHIP	0.1uF	10%	16V
C3756	1-126-205-11	ELECT CHIP	47uF	20%	6.3V	C3818	1-107-826-11	CERAMIC CHIP	0.1uF	10%	16V
C3757	1-125-777-11	CERAMIC CHIP	0.1uF	10%	10V	C3819	1-107-826-11	CERAMIC CHIP	0.1uF	10%	16V
C3758	1-107-826-11	CERAMIC CHIP	0.1uF	10%	16V	C3820	1-107-826-11	CERAMIC CHIP	0.1uF	10%	16V
C3759	1-165-989-11	CERAMIC CHIP	10uF	10%	6.3V	C3821	1-112-300-91	CERAMIC CHIP	4.7uF	10%	10V
C3760	1-107-826-11	CERAMIC CHIP	0.1uF	10%	16V	C3822	1-125-777-11	CERAMIC CHIP	0.1uF	10%	10V
C3761	1-125-777-11	CERAMIC CHIP	0.1uF	10%	10V	C3823	1-125-837-91	CERAMIC CHIP	1uF	10%	6.3V
C3762	1-125-777-11	CERAMIC CHIP	0.1uF	10%	10V	C3824	1-162-970-11	CERAMIC CHIP	0.01uF	10%	25V
C3763	1-125-777-11	CERAMIC CHIP	0.1uF	10%	10V	C3825	1-107-726-91	CERAMIC CHIP	0.01uF	10%	16V
C3764	1-165-989-11	CERAMIC CHIP	10uF	10%	6.3V	C3826	1-126-205-11	ELECT CHIP	47uF	20%	6.3V
C3765	1-125-777-11	CERAMIC CHIP	0.1uF	10%	10V	C3827	1-100-159-91	CERAMIC CHIP	22uF	10%	6.3V
C3766	1-125-777-11	CERAMIC CHIP	0.1uF	10%	10V	C3828	1-100-159-91	CERAMIC CHIP	22uF	10%	6.3V
C3767	1-165-989-11	CERAMIC CHIP	10uF	10%	6.3V	C3829	1-162-923-11	CERAMIC CHIP	47PF	5%	50V
C3768	1-126-206-11	ELECT CHIP	100uF	20%	6.3V	C3830	1-115-416-11	CERAMIC CHIP	0.001uF	5%	25V
C3769	1-126-205-11	ELECT CHIP	47uF	20%	6.3V	C3832	1-100-567-81	CERAMIC CHIP	0.01uF	10%	25V
C3770	1-115-467-11	CERAMIC CHIP	0.22uF	10%	10V	C3833	1-125-777-11	CERAMIC CHIP	0.1uF	10%	10V
C3771	1-115-467-11	CERAMIC CHIP	0.22uF	10%	10V	C3834	1-126-205-11	ELECT CHIP	47uF	20%	6.3V
C3772	1-125-837-91	CERAMIC CHIP	1uF	10%	6.3V	C3835	1-100-567-81	CERAMIC CHIP	0.01uF	10%	25V
C3773	1-125-837-91	CERAMIC CHIP	1uF	10%	6.3V	C3836	1-125-777-11	CERAMIC CHIP	0.1uF	10%	10V
C3774	1-126-207-11	ELECT CHIP	33uF	20%	4V	C3837	1-126-205-11	ELECT CHIP	47uF	20%	6.3V
C3775	1-115-467-11	CERAMIC CHIP	0.22uF	10%	10V	C3838	1-100-567-81	CERAMIC CHIP	0.01uF	10%	25V
C3776	1-115-467-11	CERAMIC CHIP	0.22uF	10%	10V	C3839	1-125-777-11	CERAMIC CHIP	0.1uF	10%	10V
C3777	1-162-970-11	CERAMIC CHIP	0.01uF	10%	25V	C3840	1-125-777-11	CERAMIC CHIP	0.1uF	10%	10V
C3778	1-125-837-91	CERAMIC CHIP	1uF	10%	6.3V	C3841	1-125-777-11	CERAMIC CHIP	0.1uF	10%	10V
C3779	1-115-467-11	CERAMIC CHIP	0.22uF	10%	10V	C3842	1-125-777-11	CERAMIC CHIP	0.1uF	10%	10V
C3780	1-115-467-11	CERAMIC CHIP	0.22uF	10%	10V	C3843	1-125-777-11	CERAMIC CHIP	0.1uF	10%	10V
C3781	1-107-826-11	CERAMIC CHIP	0.1uF	10%	16V	C3844	1-125-777-11	CERAMIC CHIP	0.1uF	10%	10V
C3782	1-165-989-11	CERAMIC CHIP	10uF	10%	6.3V	C3845	1-125-777-11	CERAMIC CHIP	0.1uF	10%	10V
C3783	1-125-777-11	CERAMIC CHIP	0.1uF	10%	10V	C3846	1-125-777-11	CERAMIC CHIP	0.1uF	10%	10V
C3784	1-125-777-11	CERAMIC CHIP	0.1uF	10%	10V	C3847	1-165-989-11	CERAMIC CHIP	10uF	10%	6.3V
C3785	1-125-777-11	CERAMIC CHIP	0.1uF	10%	10V	C3848	1-125-777-11	CERAMIC CHIP	0.1uF	10%	10V
C3786	1-125-777-11	CERAMIC CHIP	0.1uF	10%	10V	C3849	1-165-989-11	CERAMIC CHIP	10uF	10%	6.3V
C3787	1-125-777-11	CERAMIC CHIP	0.1uF	10%	10V	C3850	1-115-467-11	CERAMIC CHIP	0.22uF	10%	10V
C3788	1-125-777-11	CERAMIC CHIP	0.1uF	10%	10V	C3851	1-115-467-11	CERAMIC CHIP	0.22uF	10%	10V
C3789	1-125-777-11	CERAMIC CHIP	0.1uF	10%	10V	C3854	1-115-467-11	CERAMIC CHIP	0.22uF	10%	10V
C3790	1-125-777-11	CERAMIC CHIP	0.1uF	10%	10V	C3855	1-126-206-11	ELECT CHIP	100uF	20%	6.3V
C3791	1-107-826-11	CERAMIC CHIP	0.1uF	10%	16V	C3856	1-127-956-21	FILM CHIP	0.1uF	5%	16V
C3792	1-100-567-81	CERAMIC CHIP	0.01uF	10%	25V	C3857	1-127-956-21	FILM CHIP	0.1uF	5%	16V
C3793	1-107-826-11	CERAMIC CHIP	0.1uF	10%	16V	C3858	1-162-964-11	CERAMIC CHIP	0.001uF	10%	50V
C3794	1-126-205-11	ELECT CHIP	47uF	20%	6.3V	C3859	1-164-173-11	CERAMIC CHIP	0.0039uF	10%	50V
C3795	1-107-826-11	CERAMIC CHIP	0.1uF	10%	16V	C3860	1-164-733-11	CERAMIC CHIP	820PF	10%	50V
C3796	1-126-205-11	ELECT CHIP	47uF	20%	6.3V	C3861	1-115-467-11	CERAMIC CHIP	0.22uF	10%	10V
C3797	1-162-970-11	CERAMIC CHIP	0.01uF	10%	25V	C3862	1-126-206-11	ELECT CHIP	100uF	20%	6.3V
C3798	1-162-970-11	CERAMIC CHIP	0.01uF	10%	25V	C3863	1-128-392-11	ELECT CHIP	470uF	20%	6.3V
C3799	1-162-970-11	CERAMIC CHIP	0.01uF	10%	25V	C3864	1-115-467-11	CERAMIC CHIP	0.22uF	10%	10V
C3802	1-162-970-11	CERAMIC CHIP	0.01uF	10%	25V	C3865	1-107-826-11	CERAMIC CHIP	0.1uF	10%	16V
C3803	1-165-908-11	CERAMIC CHIP	1uF	10%	10V	C3866	1-115-467-11	CERAMIC CHIP	0.22uF	10%	10V
C3804	1-112-300-91	CERAMIC CHIP	4.7uF	10%	10V	C3867	1-162-970-11	CERAMIC CHIP	0.01uF	10%	25V
C3805	1-107-826-11	CERAMIC CHIP	0.1uF	10%	16V	C3868	1-115-467-11	CERAMIC CHIP	0.22uF	10%	10V

Ref. No.	Part No.	Description	Remark	Ref. No.	Part No.	Description	Remark
C3992	1-115-467-11	CERAMIC CHIP 0.22uF 10%	10V	FB3424	1-400-334-21	FERRITE, EMI (SMD) (1608)	
C3993	1-115-467-11	CERAMIC CHIP 0.22uF 10%	10V	FB3426	1-216-864-11	SHORT CHIP 0	
C3994	1-162-970-11	CERAMIC CHIP 0.01uF 10%	25V	FB3502	1-414-234-22	INDUCTOR, FERRITE BEAD	
C3995	1-126-206-11	ELECT CHIP 100uF 20%	6.3V	FB3503	1-414-234-22	INDUCTOR, FERRITE BEAD	
C3996	1-114-385-11	ELECT CHIP 470uF 20%	6.3V	FB3504	1-469-152-11	FERRITE, EMI (SMD) (2012)	
C3997	1-107-826-11	CERAMIC CHIP 0.1uF 10%	16V	FB3505	1-469-152-11	FERRITE, EMI (SMD) (2012)	
C3998	1-107-826-11	CERAMIC CHIP 0.1uF 10%	16V	FB3506	1-414-234-22	INDUCTOR, FERRITE BEAD	
C3999	1-107-826-11	CERAMIC CHIP 0.1uF 10%	16V	FB3507	1-469-152-11	FERRITE, EMI (SMD) (2012)	
		< CONNECTOR >		FB3508	1-414-234-22	INDUCTOR, FERRITE BEAD	
CN3501	1-820-735-31	HDMI CONNECTOR (HDMI ASSIGNABLE (INPUT ONLY) IN 6)		FB3509	1-469-152-11	FERRITE, EMI (SMD) (2012)	
CN3502	1-820-735-31	HDMI CONNECTOR (HDMI ASSIGNABLE (INPUT ONLY) IN 5 (for AUDIO))		FB3510	1-469-152-11	FERRITE, EMI (SMD) (2012)	
CN3503	1-820-735-31	HDMI CONNECTOR (HDMI ASSIGNABLE (INPUT ONLY) IN 4)		FB3512	1-469-139-21	FERRITE, EMI (SMD) (2012)	
CN3504	1-820-735-31	HDMI CONNECTOR (HDMI ASSIGNABLE (INPUT ONLY) IN 3)		FB3513	1-469-152-11	FERRITE, EMI (SMD) (2012)	
CN3505	1-820-735-31	HDMI CONNECTOR (HDMI ASSIGNABLE (INPUT ONLY) IN 2)		FB3558	1-469-139-21	FERRITE, EMI (SMD) (2012)	
CN3506	1-820-735-31	HDMI CONNECTOR (HDMI ASSIGNABLE (INPUT ONLY) IN 1)		FB3601	1-414-234-22	INDUCTOR, FERRITE BEAD	
CN3508	1-770-407-11	CONNECTOR, BOARD TO BOARD 12P		FB3602	1-414-234-22	INDUCTOR, FERRITE BEAD	
CN3509	1-794-032-21	PIN, CONNECTOR (PC BOARD) 11P		FB3603	1-414-234-22	INDUCTOR, FERRITE BEAD	
CN3511	1-820-735-31	HDMI CONNECTOR (HDMI ASSIGNABLE (INPUT ONLY) OUT A)		FB3604	1-414-234-22	INDUCTOR, FERRITE BEAD	
CN3512	1-820-735-31	HDMI CONNECTOR (HDMI ASSIGNABLE (INPUT ONLY) OUT B)		FB3605	1-414-234-22	INDUCTOR, FERRITE BEAD	
CN3523	1-785-102-11	PIN, CONNECTOR (3.96mm PITCH) 4P		FB3606	1-414-234-22	INDUCTOR, FERRITE BEAD	
CN3571	1-815-954-21	PIN, CONNECTOR (PC BOARD) 13P		FB3607	1-414-234-22	INDUCTOR, FERRITE BEAD	
CN3603	1-785-125-21	CONNECTOR 6P		FB3608	1-414-234-22	INDUCTOR, FERRITE BEAD	
CN3605	1-764-250-11	PIN, CONNECTOR (PC BOARD) 4P		FB3609	1-469-324-21	FERRITE, EMI (SMD) (2012)	
CN3607	1-770-468-21	PIN, CONNECTOR (PC BOARD) 10P		FB3610	1-469-152-11	FERRITE, EMI (SMD) (2012)	
CN3609	1-779-992-11	PIN, CONNECTOR (PWB) 8P		FB3611	1-469-152-11	FERRITE, EMI (SMD) (2012)	
CN3610	1-816-296-21	PIN, CONNECTOR (PC BOARD) 9P		FB3612	1-469-152-11	FERRITE, EMI (SMD) (2012)	
CN3611	1-764-250-11	PIN, CONNECTOR (PC BOARD) 4P		FB3613	1-469-152-11	FERRITE, EMI (SMD) (2012)	
		< DIODE >		FB3614	1-414-234-22	INDUCTOR, FERRITE BEAD	
D3500	6-501-817-01	DIODE MA2J1110GLS0		FB3615	1-414-234-22	INDUCTOR, FERRITE BEAD	
D3501	6-501-817-01	DIODE MA2J1110GLS0		FB3616	1-414-234-22	INDUCTOR, FERRITE BEAD	
D3502	6-501-817-01	DIODE MA2J1110GLS0		FB3617	1-414-234-22	INDUCTOR, FERRITE BEAD	
D3511	8-719-073-81	DIODE EC21QS06-TE12L		FB3618	1-414-234-22	INDUCTOR, FERRITE BEAD	
D3512	6-501-817-01	DIODE MA2J1110GLS0		FB3619	1-414-234-22	INDUCTOR, FERRITE BEAD	
D3617	8-719-053-18	DIODE 1SR154-400TE-25		FB3620	1-414-234-22	INDUCTOR, FERRITE BEAD	
D3618	8-719-210-39	DIODE EC10QS-04		FB3621	1-414-234-22	INDUCTOR, FERRITE BEAD	
D3619	8-719-073-81	DIODE EC21QS06-TE12L		FB3622	1-414-234-22	INDUCTOR, FERRITE BEAD	
D3620	8-719-210-39	DIODE EC10QS-04		FB3623	1-469-324-21	FERRITE, EMI (SMD) (2012)	
D3621	8-719-073-81	DIODE EC21QS06-TE12L		FB3624	1-414-234-22	INDUCTOR, FERRITE BEAD	
D3622	8-719-053-18	DIODE 1SR154-400TE-25		FB3625	1-469-152-11	FERRITE, EMI (SMD) (2012)	
D3851	6-501-817-01	DIODE MA2J1110GLS0		FB3626	1-469-152-11	FERRITE, EMI (SMD) (2012)	
D3852	6-501-817-01	DIODE MA2J1110GLS0		FB3627	1-469-152-11	FERRITE, EMI (SMD) (2012)	
		< EARTH TERMINAL >		FB3628	1-469-152-11	FERRITE, EMI (SMD) (2012)	
ET3901	1-780-318-11	TERMINAL		FB3629	1-414-234-22	INDUCTOR, FERRITE BEAD	
ET3902	1-780-318-11	TERMINAL		FB3630	1-414-234-22	INDUCTOR, FERRITE BEAD	
ET3903	1-780-318-11	TERMINAL		FB3631	1-414-234-22	INDUCTOR, FERRITE BEAD	
		< FERRITE BEAD/JUMPER RESISTOR >		FB3632	1-414-234-22	INDUCTOR, FERRITE BEAD	
FB3421	1-400-334-21	FERRITE, EMI (SMD) (1608)		FB3633	1-469-324-21	FERRITE, EMI (SMD) (2012)	
FB3422	1-400-334-21	FERRITE, EMI (SMD) (1608)		FB3634	1-469-139-21	FERRITE, EMI (SMD) (2012)	
FB3423	1-400-334-21	FERRITE, EMI (SMD) (1608)		FB3635	1-414-760-21	FERRITE, EMI (SMD) (1608)	
				FB3636	1-414-760-21	FERRITE, EMI (SMD) (1608)	
				FB3637	1-414-760-21	FERRITE, EMI (SMD) (1608)	
				FB3638	1-469-152-11	FERRITE, EMI (SMD) (2012)	
						< COIL/FILTER >	
				* FL3501	1-813-880-11	COMMON MODE CHOKE COIL	
				* FL3502	1-813-880-11	COMMON MODE CHOKE COIL	
				* FL3503	1-813-880-11	COMMON MODE CHOKE COIL	
				* FL3504	1-813-880-11	COMMON MODE CHOKE COIL	
				* FL3511	1-813-880-11	COMMON MODE CHOKE COIL	
				* FL3512	1-813-880-11	COMMON MODE CHOKE COIL	

STR-DA5400ES

D VIDEO

Ref. No.	Part No.	Description	Remark	Ref. No.	Part No.	Description	Remark
* FL3513	1-813-880-11	COMMON MODE CHOKE COIL		IC3854	6-710-444-01	IC CY2302-SXC-1T	
* FL3514	1-813-880-11	COMMON MODE CHOKE COIL		IC3855	6-709-565-01	IC ADV7322KSTZ	
FL3601	1-400-874-11	FILTER, EMI REMOVAL (SMD)					
FL3602	1-400-874-11	FILTER, EMI REMOVAL (SMD)		IC3856	6-704-261-01	IC TK11225CMCL-G	
FL3603	1-400-874-11	FILTER, EMI REMOVAL (SMD)		IC3857	6-710-444-01	IC CY2302-SXC-1T	
FL3604	1-400-874-11	FILTER, EMI REMOVAL (SMD)		IC3858	6-713-146-01	IC SN74CB3Q16211DGVR	
FL3605	1-400-874-11	FILTER, EMI REMOVAL (SMD)		IC3859	6-712-738-01	IC SN74CB3Q16210DGVR	
FL3606	1-400-874-11	FILTER, EMI REMOVAL (SMD)		IC3860	6-702-302-01	IC TK11133CSCL-G	
FL3607	1-400-874-11	FILTER, EMI REMOVAL (SMD)					
FL3608	1-400-874-11	FILTER, EMI REMOVAL (SMD)		IC3862	6-710-628-01	IC CY23EP05SXC-1HT	
		< IC >		IC3863	6-710-628-01	IC CY23EP05SXC-1HT	
				* IC3864	6-711-583-01	IC TS3USB221RSER	
						< COIL >	
IC3503	8-753-282-08	IC CXB1444R-T6		L3501	1-469-525-91	INDUCTOR	10uH
IC3504	8-753-282-08	IC CXB1444R-T6		L3505	1-469-525-91	INDUCTOR	10uH
IC3508	8-759-596-39	IC SN74LV4052APWR		L3506	1-469-525-91	INDUCTOR	10uH
IC3509	6-704-001-01	IC BR24L02F-WSE2		L3507	1-469-525-91	INDUCTOR	10uH
IC3511	(Not supplied)	IC SII9135CTU		L3508	1-469-525-91	INDUCTOR	10uH
IC3513	(Not supplied)	IC SII9134CTU		L3509	1-469-525-91	INDUCTOR	10uH
IC3514	(Not supplied)	IC SII9134CTU		L3510	1-469-525-91	INDUCTOR	10uH
IC3515	6-708-913-01	IC TK73400AU3G0L-C		L3511	1-469-525-91	INDUCTOR	10uH
IC3516	6-705-337-01	IC TK11150CSCL-G		L3512	1-469-525-91	INDUCTOR	10uH
IC3517	6-708-913-01	IC TK73400AU3G0L-C		L3513	1-469-525-91	INDUCTOR	10uH
IC3518	8-759-058-62	IC TC7S08FU (TE85R)		L3514	1-469-525-91	INDUCTOR	10uH
IC3520	6-705-337-01	IC TK11150CSCL-G		L3601	1-457-620-11	COIL, CHOKE	0.68uH
IC3524	8-759-524-50	IC TC74VHC541FT (EL)		L3609	1-412-977-31	INDUCTOR	0.68uH
IC3525	8-759-679-36	IC TC7WT125FU (TE12R)		L3610	1-412-977-31	INDUCTOR	0.68uH
IC3526	8-759-596-39	IC SN74LV4052APWR		L3611	1-412-977-31	INDUCTOR	0.68uH
IC3601	6-709-545-01	IC FLI8668-LF-BC		L3612	1-412-977-31	INDUCTOR	0.68uH
IC3602	6-710-521-21	IC HY5DU561622FTP-4-C		L3613	1-412-977-31	INDUCTOR	0.68uH
IC3603	6-808-169-01	IC S29GL256N90TFIR20J08GUIX100		L3614	1-412-977-31	INDUCTOR	0.68uH
IC3604	6-709-564-01	IC YGV629-VZ		L3615	1-412-977-31	INDUCTOR	0.68uH
IC3605	6-708-913-01	IC TK73400AU3G0L-C		L3616	1-412-977-31	INDUCTOR	0.68uH
@ IC3606	6-711-139-01	IC FLI8638-LF		L3617	1-469-525-91	INDUCTOR	10uH
IC3607	6-710-521-21	IC HY5DU561622FTP-4-C				< TRANSISTOR >	
IC3608	6-702-300-01	IC TK11118CSCL-G		Q001	8-729-230-49	TRANSISTOR	2SC2712-YG
IC3609	6-707-842-01	IC TC74LCX08FT (EKJ)		Q002	8-729-230-49	TRANSISTOR	2SC2712-YG
IC3610	A-1566-608-A	IC MB91F467RAPMC-GE1 (for SERVICE)		Q3500	6-551-696-01	TRANSISTOR	ISA1235AC1TP-1EF
				Q3501	6-551-696-01	TRANSISTOR	ISA1235AC1TP-1EF
						< RESISTOR >	
IC3611	6-710-003-01	IC IS61LV12816L-8TL		R2038	1-216-833-11	METAL CHIP	10K 5% 1/10W
IC3612	6-708-913-01	IC TK73400AU3G0L-C		R3001	1-216-864-11	SHORT CHIP	0
IC3613	6-702-300-01	IC TK11118CSCL-G		R3003	1-216-864-11	SHORT CHIP	0
IC3614	6-702-302-01	IC TK11133CSCL-G		R3004	1-216-864-11	SHORT CHIP	0
IC3615	6-808-310-03	IC SST39VF3202704IEKE54FLIM105		R3006	1-216-864-11	SHORT CHIP	0
IC3616	6-702-302-01	IC TK11133CSCL-G		R3007	1-216-864-11	SHORT CHIP	0
IC3617	6-708-913-01	IC TK73400AU3G0L-C		R3009	1-216-864-11	SHORT CHIP	0
IC3618	6-710-521-21	IC HY5DU561622FTP-4-C		R3013	1-216-864-11	SHORT CHIP	0
IC3619	6-710-050-01	IC TC74LCX245FK (EL)		R3015	1-216-864-11	SHORT CHIP	0
IC3620	6-710-050-01	IC TC74LCX245FK (EL)		R3016	1-216-864-11	SHORT CHIP	0
IC3621	6-704-573-01	IC M24C32-WMN6T (B)		R3018	1-216-864-11	SHORT CHIP	0
IC3622	6-704-470-01	IC TK11233CMCL-G		R3019	1-216-864-11	SHORT CHIP	0
IC3623	6-706-136-01	IC LTC3412EFE#TR		R3021	1-216-864-11	SHORT CHIP	0
IC3624	6-710-521-21	IC HY5DU561622FTP-4-C		R3025	1-216-864-11	SHORT CHIP	0
IC3625	6-704-470-01	IC TK11233CMCL-G		R3027	1-216-864-11	SHORT CHIP	0
IC3626	6-702-302-01	IC TK11133CSCL-G		R3028	1-216-864-11	SHORT CHIP	0
IC3627	6-808-311-03	IC SST39VF3202704IEKE54FLIZ106		R3030	1-216-864-11	SHORT CHIP	0
IC3628	6-704-573-01	IC M24C32-WMN6T (B)		R3031	1-216-864-11	SHORT CHIP	0
IC3629	6-702-302-01	IC TK11133CSCL-G		R3033	1-216-864-11	SHORT CHIP	0
IC3850	6-709-565-01	IC ADV7322KSTZ					
IC3851	6-704-261-01	IC TK11225CMCL-G					
IC3852	6-702-301-01	IC TK11125CSCL-G					
IC3853	6-712-613-01	IC SI-3010KM-TLS					

Note: IC3511, IC3513 and IC3514 cannot exchange with single. When these parts are damaged, exchange the entire mounted board.

@ Replacement of IC3606 used in this set requires a special tool.

Ref. No.	Part No.	Description			Remark	Ref. No.	Part No.	Description			Remark
R3101	1-218-933-11	METAL CHIP	22	5%	1/16W	R3236	1-218-929-11	METAL CHIP	10	5%	1/16W
R3102	1-218-941-81	METAL CHIP	100	5%	1/16W	R3237	1-218-933-11	METAL CHIP	22	5%	1/16W
R3103	1-218-933-11	METAL CHIP	22	5%	1/16W	R3238	1-218-933-11	METAL CHIP	22	5%	1/16W
R3104	1-218-933-11	METAL CHIP	22	5%	1/16W	R3239	1-218-929-11	METAL CHIP	10	5%	1/16W
R3105	1-218-990-81	SHORT CHIP	0			R3240	1-218-929-11	METAL CHIP	10	5%	1/16W
R3106	1-218-990-81	SHORT CHIP	0			R3241	1-218-929-11	METAL CHIP	10	5%	1/16W
R3108	1-208-647-11	METAL CHIP	33	0.5%	1/16W	R3242	1-218-929-11	METAL CHIP	10	5%	1/16W
R3109	1-208-647-11	METAL CHIP	33	0.5%	1/16W	R3243	1-218-929-11	METAL CHIP	10	5%	1/16W
R3110	1-216-810-11	METAL CHIP	120	5%	1/10W	R3244	1-218-929-11	METAL CHIP	10	5%	1/16W
R3120	1-216-805-11	METAL CHIP	47	5%	1/10W	R3245	1-218-929-11	METAL CHIP	10	5%	1/16W
R3121	1-216-805-11	METAL CHIP	47	5%	1/10W	R3246	1-218-929-11	METAL CHIP	10	5%	1/16W
R3122	1-216-833-11	METAL CHIP	10K	5%	1/10W	R3247	1-218-929-11	METAL CHIP	10	5%	1/16W
R3123	1-216-833-11	METAL CHIP	10K	5%	1/10W	R3248	1-218-929-11	METAL CHIP	10	5%	1/16W
R3126	1-216-833-11	METAL CHIP	10K	5%	1/10W	R3249	1-218-929-11	METAL CHIP	10	5%	1/16W
R3127	1-216-833-11	METAL CHIP	10K	5%	1/10W	R3250	1-218-929-11	METAL CHIP	10	5%	1/16W
R3130	1-216-833-11	METAL CHIP	10K	5%	1/10W	R3251	1-218-929-11	METAL CHIP	10	5%	1/16W
R3131	1-216-833-11	METAL CHIP	10K	5%	1/10W	R3252	1-218-929-11	METAL CHIP	10	5%	1/16W
R3134	1-216-805-11	METAL CHIP	47	5%	1/10W	R3253	1-216-864-11	SHORT CHIP	0		
R3188	1-216-805-11	METAL CHIP	47	5%	1/10W	R3254	1-218-929-11	METAL CHIP	10	5%	1/16W
R3189	1-216-805-11	METAL CHIP	47	5%	1/10W	R3256	1-218-834-11	METAL CHIP	300	0.5%	1/10W
R3190	1-216-805-11	METAL CHIP	47	5%	1/10W	R3257	1-218-834-11	METAL CHIP	300	0.5%	1/10W
R3191	1-216-833-11	METAL CHIP	10K	5%	1/10W	R3258	1-218-834-11	METAL CHIP	300	0.5%	1/10W
R3192	1-216-805-11	METAL CHIP	47	5%	1/10W	R3259	1-218-834-11	METAL CHIP	300	0.5%	1/10W
R3193	1-216-864-11	SHORT CHIP	0			R3260	1-218-834-11	METAL CHIP	300	0.5%	1/10W
R3195	1-216-864-11	SHORT CHIP	0			R3261	1-218-834-11	METAL CHIP	300	0.5%	1/10W
R3196	1-216-864-11	SHORT CHIP	0			R3263	1-216-809-11	METAL CHIP	100	5%	1/10W
R3197	1-216-805-11	METAL CHIP	47	5%	1/10W	R3264	1-218-835-11	METAL CHIP	330	0.5%	1/10W
R3198	1-216-833-11	METAL CHIP	10K	5%	1/10W	R3265	1-218-857-11	METAL CHIP	2.7K	0.5%	1/10W
R3201	1-216-864-11	SHORT CHIP	0			R3267	1-216-819-11	METAL CHIP	680	5%	1/10W
R3202	1-216-864-11	SHORT CHIP	0			R3268	1-218-857-11	METAL CHIP	2.7K	0.5%	1/10W
R3203	1-216-864-11	SHORT CHIP	0			R3269	1-218-835-11	METAL CHIP	330	0.5%	1/10W
R3204	1-216-864-11	SHORT CHIP	0			R3270	1-216-864-11	SHORT CHIP	0		
R3205	1-216-864-11	SHORT CHIP	0			R3272	1-216-864-11	SHORT CHIP	0		
R3206	1-216-864-11	SHORT CHIP	0			R3273	1-216-864-11	SHORT CHIP	0		
R3207	1-216-864-11	SHORT CHIP	0			R3274	1-216-864-11	SHORT CHIP	0		
R3208	1-216-864-11	SHORT CHIP	0			R3275	1-216-803-11	METAL CHIP	33	5%	1/10W
R3209	1-216-817-11	METAL CHIP	470	5%	1/10W	R3276	1-216-803-11	METAL CHIP	33	5%	1/10W
R3210	1-216-864-11	SHORT CHIP	0			R3281	1-216-805-11	METAL CHIP	47	5%	1/10W
R3211	1-216-809-11	METAL CHIP	100	5%	1/10W	R3282	1-216-805-11	METAL CHIP	47	5%	1/10W
R3212	1-216-833-11	METAL CHIP	10K	5%	1/10W	R3283	1-216-833-11	METAL CHIP	10K	5%	1/10W
R3213	1-216-833-11	METAL CHIP	10K	5%	1/10W	R3284	1-216-833-11	METAL CHIP	10K	5%	1/10W
R3214	1-216-821-11	METAL CHIP	1K	5%	1/10W	R3285	1-216-833-11	METAL CHIP	10K	5%	1/10W
R3215	1-216-805-11	METAL CHIP	47	5%	1/10W	R3287	1-216-864-11	SHORT CHIP	0		
R3216	1-216-805-11	METAL CHIP	47	5%	1/10W	R3288	1-216-805-11	METAL CHIP	47	5%	1/10W
R3218	1-216-833-11	METAL CHIP	10K	5%	1/10W	R3289	1-216-864-11	SHORT CHIP	0		
R3219	1-216-833-11	METAL CHIP	10K	5%	1/10W	R3290	1-216-805-11	METAL CHIP	47	5%	1/10W
R3220	1-216-829-11	METAL CHIP	4.7K	5%	1/10W	R3291	1-216-805-11	METAL CHIP	47	5%	1/10W
R3221	1-216-833-11	METAL CHIP	10K	5%	1/10W	R3292	1-216-805-11	METAL CHIP	47	5%	1/10W
R3222	1-216-833-11	METAL CHIP	10K	5%	1/10W	R3293	1-216-805-11	METAL CHIP	47	5%	1/10W
R3223	1-216-805-11	METAL CHIP	47	5%	1/10W	R3294	1-216-833-11	METAL CHIP	10K	5%	1/10W
R3226	1-216-841-11	METAL CHIP	47K	5%	1/10W	R3296	1-216-805-11	METAL CHIP	47	5%	1/10W
R3227	1-216-805-11	METAL CHIP	47	5%	1/10W	R3297	1-216-797-11	METAL CHIP	10	5%	1/10W
R3228	1-216-797-11	METAL CHIP	10	5%	1/10W	R3298	1-216-805-11	METAL CHIP	47	5%	1/10W
R3229	1-218-933-11	METAL CHIP	22	5%	1/16W	R3299	1-216-805-11	METAL CHIP	47	5%	1/10W
R3230	1-218-933-11	METAL CHIP	22	5%	1/16W	R3300	1-216-841-11	METAL CHIP	47K	5%	1/10W
R3231	1-218-929-11	METAL CHIP	10	5%	1/16W	R3301	1-216-833-11	METAL CHIP	10K	5%	1/10W
R3232	1-218-929-11	METAL CHIP	10	5%	1/16W	R3302	1-216-805-11	METAL CHIP	47	5%	1/10W
R3233	1-218-933-11	METAL CHIP	22	5%	1/16W	R3303	1-216-805-11	METAL CHIP	47	5%	1/10W
R3234	1-218-933-11	METAL CHIP	22	5%	1/16W	R3304	1-216-805-11	METAL CHIP	47	5%	1/10W
R3235	1-218-929-11	METAL CHIP	10	5%	1/16W	R3316	1-216-805-11	METAL CHIP	47	5%	1/10W

STR-DA5400ES

D VIDEO

Ref. No.	Part No.	Description	Quantity	Unit	Remark	Ref. No.	Part No.	Description	Quantity	Unit	Remark
R3317	1-216-805-11	METAL CHIP	47	5%	1/10W	R3408	1-216-805-11	METAL CHIP	47	5%	1/10W
R3318	1-216-805-11	METAL CHIP	47	5%	1/10W	R3409	1-216-805-11	METAL CHIP	47	5%	1/10W
R3319	1-216-805-11	METAL CHIP	47	5%	1/10W	R3410	1-216-805-11	METAL CHIP	47	5%	1/10W
R3320	1-216-805-11	METAL CHIP	47	5%	1/10W	R3411	1-216-805-11	METAL CHIP	47	5%	1/10W
R3321	1-216-833-11	METAL CHIP	10K	5%	1/10W	R3412	1-216-805-11	METAL CHIP	47	5%	1/10W
R3322	1-216-833-11	METAL CHIP	10K	5%	1/10W	R3413	1-216-805-11	METAL CHIP	47	5%	1/10W
R3323	1-216-833-11	METAL CHIP	10K	5%	1/10W	R3414	1-216-805-11	METAL CHIP	47	5%	1/10W
R3331	1-216-833-11	METAL CHIP	10K	5%	1/10W	R3415	1-216-833-11	METAL CHIP	10K	5%	1/10W
R3339	1-218-929-11	METAL CHIP	10	5%	1/16W	R3416	1-216-801-11	METAL CHIP	22	5%	1/10W
R3340	1-218-929-11	METAL CHIP	10	5%	1/16W	R3417	1-216-801-11	METAL CHIP	22	5%	1/10W
R3341	1-218-929-11	METAL CHIP	10	5%	1/16W	R3418	1-216-805-11	METAL CHIP	47	5%	1/10W
R3342	1-218-929-11	METAL CHIP	10	5%	1/16W	R3419	1-216-805-11	METAL CHIP	47	5%	1/10W
R3343	1-218-929-11	METAL CHIP	10	5%	1/16W	R3420	1-216-805-11	METAL CHIP	47	5%	1/10W
R3344	1-218-929-11	METAL CHIP	10	5%	1/16W	R3421	1-216-833-11	METAL CHIP	10K	5%	1/10W
R3345	1-218-929-11	METAL CHIP	10	5%	1/16W	R3422	1-216-864-11	SHORT CHIP	0		
R3346	1-218-929-11	METAL CHIP	10	5%	1/16W	R3423	1-216-805-11	METAL CHIP	47	5%	1/10W
R3347	1-218-929-11	METAL CHIP	10	5%	1/16W	R3424	1-216-805-11	METAL CHIP	47	5%	1/10W
R3348	1-218-929-11	METAL CHIP	10	5%	1/16W	R3425	1-216-805-11	METAL CHIP	47	5%	1/10W
R3349	1-218-929-11	METAL CHIP	10	5%	1/16W	R3426	1-216-805-11	METAL CHIP	47	5%	1/10W
R3350	1-218-929-11	METAL CHIP	10	5%	1/16W	R3427	1-216-805-11	METAL CHIP	47	5%	1/10W
R3351	1-216-864-11	SHORT CHIP	0			R3428	1-216-805-11	METAL CHIP	47	5%	1/10W
R3352	1-216-821-11	METAL CHIP	1K	5%	1/10W	R3429	1-216-805-11	METAL CHIP	47	5%	1/10W
R3353	1-216-833-11	METAL CHIP	10K	5%	1/10W	R3430	1-216-805-11	METAL CHIP	47	5%	1/10W
R3354	1-216-864-11	SHORT CHIP	0			R3431	1-216-864-11	SHORT CHIP	0		
R3355	1-216-864-11	SHORT CHIP	0			R3432	1-216-864-11	SHORT CHIP	0		
R3356	1-216-833-11	METAL CHIP	10K	5%	1/10W	R3433	1-216-833-11	METAL CHIP	10K	5%	1/10W
R3357	1-216-833-11	METAL CHIP	10K	5%	1/10W	R3434	1-216-809-11	METAL CHIP	100	5%	1/10W
R3358	1-216-833-11	METAL CHIP	10K	5%	1/10W	R3437	1-216-864-11	SHORT CHIP	0		
R3359	1-216-833-11	METAL CHIP	10K	5%	1/10W	R3438	1-218-990-81	SHORT CHIP	0		
R3361	1-216-833-11	METAL CHIP	10K	5%	1/10W	R3439	1-216-864-11	SHORT CHIP	0		
R3363	1-216-833-11	METAL CHIP	10K	5%	1/10W	R3440	1-216-813-11	METAL CHIP	220	5%	1/10W
R3364	1-216-833-11	METAL CHIP	10K	5%	1/10W	R3441	1-218-843-11	METAL CHIP	680	0.5%	1/10W
R3370	1-216-833-11	METAL CHIP	10K	5%	1/10W	R3442	1-216-864-11	SHORT CHIP	0		
R3371	1-216-833-11	METAL CHIP	10K	5%	1/10W	R3443	1-216-824-11	METAL CHIP	1.8K	5%	1/10W
R3372	1-216-833-11	METAL CHIP	10K	5%	1/10W	R3444	1-216-824-11	METAL CHIP	1.8K	5%	1/10W
R3375	1-216-833-11	METAL CHIP	10K	5%	1/10W	R3446	1-216-864-11	SHORT CHIP	0		
R3378	1-216-833-11	METAL CHIP	10K	5%	1/10W	R3447	1-216-841-11	METAL CHIP	47K	5%	1/10W
R3379	1-216-833-11	METAL CHIP	10K	5%	1/10W	R3448	1-216-864-11	SHORT CHIP	0		
R3380	1-216-833-11	METAL CHIP	10K	5%	1/10W	R3451	1-208-647-11	METAL CHIP	33	0.5%	1/16W
R3381	1-216-833-11	METAL CHIP	10K	5%	1/10W	R3452	1-208-647-11	METAL CHIP	33	0.5%	1/16W
R3382	1-216-833-11	METAL CHIP	10K	5%	1/10W	R3453	1-208-647-11	METAL CHIP	33	0.5%	1/16W
R3386	1-216-833-11	METAL CHIP	10K	5%	1/10W	R3454	1-208-647-11	METAL CHIP	33	0.5%	1/16W
R3387	1-216-833-11	METAL CHIP	10K	5%	1/10W	R3455	1-208-647-11	METAL CHIP	33	0.5%	1/16W
R3388	1-216-833-11	METAL CHIP	10K	5%	1/10W	R3456	1-208-647-11	METAL CHIP	33	0.5%	1/16W
R3389	1-216-864-11	SHORT CHIP	0			R3457	1-208-647-11	METAL CHIP	33	0.5%	1/16W
R3390	1-216-864-11	SHORT CHIP	0			R3458	1-218-871-11	METAL CHIP	10K	0.5%	1/10W
R3391	1-216-864-11	SHORT CHIP	0			R3459	1-218-871-11	METAL CHIP	10K	0.5%	1/10W
R3392	1-216-826-11	METAL CHIP	2.7K	5%	1/10W	R3460	1-208-677-11	METAL CHIP	560	0.5%	1/16W
R3393	1-216-826-11	METAL CHIP	2.7K	5%	1/10W	R3461	1-208-677-11	METAL CHIP	560	0.5%	1/16W
R3394	1-216-833-11	METAL CHIP	10K	5%	1/10W	R3462	1-216-833-11	METAL CHIP	10K	5%	1/10W
R3395	1-216-864-11	SHORT CHIP	0			R3463	1-216-833-11	METAL CHIP	10K	5%	1/10W
R3396	1-216-864-11	SHORT CHIP	0			R3465	1-211-987-11	METAL CHIP	56	0.5%	1/10W
R3397	1-218-929-11	METAL CHIP	10	5%	1/16W	R3466	1-211-987-11	METAL CHIP	56	0.5%	1/10W
R3401	1-216-864-11	SHORT CHIP	0			R3467	1-211-987-11	METAL CHIP	56	0.5%	1/10W
R3402	1-216-864-11	SHORT CHIP	0			R3468	1-211-987-11	METAL CHIP	56	0.5%	1/10W
R3403	1-216-864-11	SHORT CHIP	0			R3469	1-218-831-11	METAL CHIP	220	0.5%	1/10W
R3404	1-218-990-81	SHORT CHIP	0			R3470	1-211-977-11	METAL CHIP	22	0.5%	1/10W
R3405	1-216-864-11	SHORT CHIP	0			R3471	1-211-977-11	METAL CHIP	22	0.5%	1/10W
R3406	1-216-864-11	SHORT CHIP	0			R3472	1-211-977-11	METAL CHIP	22	0.5%	1/10W
R3407	1-216-805-11	METAL CHIP	47	5%	1/10W	R3473	1-216-813-11	METAL CHIP	220	5%	1/10W

Ref. No.	Part No.	Description			Remark	Ref. No.	Part No.	Description			Remark
R3474	1-216-813-11	METAL CHIP	220	5%	1/10W	R3552	1-216-805-11	METAL CHIP	47	5%	1/10W
R3476	1-218-831-11	METAL CHIP	220	0.5%	1/10W	R3553	1-216-821-11	METAL CHIP	1K	5%	1/10W
R3477	1-211-977-11	METAL CHIP	22	0.5%	1/10W	R3554	1-216-805-11	METAL CHIP	47	5%	1/10W
R3478	1-211-977-11	METAL CHIP	22	0.5%	1/10W	R3555	1-216-821-11	METAL CHIP	1K	5%	1/10W
R3479	1-211-977-11	METAL CHIP	22	0.5%	1/10W	R3556	1-216-805-11	METAL CHIP	47	5%	1/10W
R3481	1-216-837-11	METAL CHIP	22K	5%	1/10W	R3557	1-216-813-11	METAL CHIP	220	5%	1/10W
R3484	1-216-864-11	SHORT CHIP	0			R3558	1-216-833-11	METAL CHIP	10K	5%	1/10W
R3485	1-218-831-11	METAL CHIP	220	0.5%	1/10W	R3561	1-216-833-11	METAL CHIP	10K	5%	1/10W
R3486	1-211-977-11	METAL CHIP	22	0.5%	1/10W	R3562	1-216-833-11	METAL CHIP	10K	5%	1/10W
R3487	1-211-977-11	METAL CHIP	22	0.5%	1/10W	R3563	1-216-809-11	METAL CHIP	100	5%	1/10W
R3488	1-211-977-11	METAL CHIP	22	0.5%	1/10W	R3564	1-216-809-11	METAL CHIP	100	5%	1/10W
R3489	1-216-833-11	METAL CHIP	10K	5%	1/10W	R3565	1-216-864-11	SHORT CHIP	0		
R3490	1-216-833-11	METAL CHIP	10K	5%	1/10W	R3566	1-216-864-11	SHORT CHIP	0		
R3491	1-216-833-11	METAL CHIP	10K	5%	1/10W	R3567	1-216-864-11	SHORT CHIP	0		
R3492	1-216-864-11	SHORT CHIP	0			R3568	1-216-805-11	METAL CHIP	47	5%	1/10W
R3493	1-216-864-11	SHORT CHIP	0			R3569	1-216-025-11	METAL CHIP	100	5%	1/10W
R3494	1-216-864-11	SHORT CHIP	0			R3570	1-216-805-11	METAL CHIP	47	5%	1/10W
R3495	1-208-677-11	METAL CHIP	560	0.5%	1/16W	R3571	1-216-805-11	METAL CHIP	47	5%	1/10W
R3496	1-208-677-11	METAL CHIP	560	0.5%	1/16W	R3572	1-216-805-11	METAL CHIP	47	5%	1/10W
R3497	1-218-884-11	METAL CHIP	36K	0.5%	1/10W	R3573	1-216-805-11	METAL CHIP	47	5%	1/10W
R3498	1-218-883-11	METAL CHIP	33K	0.5%	1/10W	R3574	1-216-805-11	METAL CHIP	47	5%	1/10W
R3499	1-216-805-11	METAL CHIP	47	5%	1/10W	R3575	1-216-805-11	METAL CHIP	47	5%	1/10W
R3500	1-216-864-11	SHORT CHIP	0			R3576	1-216-805-11	METAL CHIP	47	5%	1/10W
R3503	1-216-864-11	SHORT CHIP	0			R3577	1-216-805-11	METAL CHIP	47	5%	1/10W
R3504	1-216-864-11	SHORT CHIP	0			R3578	1-216-829-11	METAL CHIP	4.7K	5%	1/10W
R3508	1-216-805-11	METAL CHIP	47	5%	1/10W	R3579	1-216-841-11	METAL CHIP	47K	5%	1/10W
R3510	1-216-833-11	METAL CHIP	10K	5%	1/10W	R3580	1-218-843-11	METAL CHIP	680	0.5%	1/10W
R3511	1-216-841-11	METAL CHIP	47K	5%	1/10W	R3581	1-216-809-11	METAL CHIP	100	5%	1/10W
R3512	1-216-829-11	METAL CHIP	4.7K	5%	1/10W	R3582	1-216-864-11	SHORT CHIP	0		
R3513	1-216-841-11	METAL CHIP	47K	5%	1/10W	R3583	1-216-797-11	METAL CHIP	10	5%	1/10W
R3514	1-216-841-11	METAL CHIP	47K	5%	1/10W	R3584	1-216-797-11	METAL CHIP	10	5%	1/10W
R3515	1-216-821-11	METAL CHIP	1K	5%	1/10W	R3591	1-216-805-11	METAL CHIP	47	5%	1/10W
R3516	1-216-821-11	METAL CHIP	1K	5%	1/10W	R3592	1-216-805-11	METAL CHIP	47	5%	1/10W
R3517	1-216-821-11	METAL CHIP	1K	5%	1/10W	R3593	1-216-833-11	METAL CHIP	10K	5%	1/10W
R3518	1-218-863-11	METAL CHIP	4.7K	0.5%	1/10W	R3594	1-216-841-11	METAL CHIP	47K	5%	1/10W
R3519	1-216-805-11	METAL CHIP	47	5%	1/10W	R3595	1-216-821-11	METAL CHIP	1K	5%	1/10W
R3520	1-216-805-11	METAL CHIP	47	5%	1/10W	R3596	1-216-821-11	METAL CHIP	1K	5%	1/10W
R3521	1-216-805-11	METAL CHIP	47	5%	1/10W	R3597	1-216-864-11	SHORT CHIP	0		
R3522	1-216-833-11	METAL CHIP	10K	5%	1/10W	R3599	1-216-824-11	METAL CHIP	1.8K	5%	1/10W
R3523	1-216-833-11	METAL CHIP	10K	5%	1/10W	R3600	1-216-824-11	METAL CHIP	1.8K	5%	1/10W
R3524	1-216-805-11	METAL CHIP	47	5%	1/10W	R3601	1-216-841-11	METAL CHIP	47K	5%	1/10W
R3525	1-216-829-11	METAL CHIP	4.7K	5%	1/10W	R3602	1-216-841-11	METAL CHIP	47K	5%	1/10W
R3526	1-216-833-11	METAL CHIP	10K	5%	1/10W	R3603	1-216-841-11	METAL CHIP	47K	5%	1/10W
R3527	1-216-833-11	METAL CHIP	10K	5%	1/10W	R3604	1-216-841-11	METAL CHIP	47K	5%	1/10W
R3528	1-216-837-11	METAL CHIP	22K	5%	1/10W	R3605	1-216-841-11	METAL CHIP	47K	5%	1/10W
R3530	1-216-805-11	METAL CHIP	47	5%	1/10W	R3606	1-216-841-11	METAL CHIP	47K	5%	1/10W
R3531	1-216-805-11	METAL CHIP	47	5%	1/10W	R3607	1-216-841-11	METAL CHIP	47K	5%	1/10W
R3535	1-218-863-11	METAL CHIP	4.7K	0.5%	1/10W	R3608	1-216-841-11	METAL CHIP	47K	5%	1/10W
R3536	1-216-805-11	METAL CHIP	47	5%	1/10W	R3609	1-216-841-11	METAL CHIP	47K	5%	1/10W
R3537	1-216-833-11	METAL CHIP	10K	5%	1/10W	R3610	1-216-841-11	METAL CHIP	47K	5%	1/10W
R3538	1-216-833-11	METAL CHIP	10K	5%	1/10W	R3611	1-216-841-11	METAL CHIP	47K	5%	1/10W
R3539	1-216-864-11	SHORT CHIP	0			R3612	1-216-841-11	METAL CHIP	47K	5%	1/10W
R3540	1-216-805-11	METAL CHIP	47	5%	1/10W	R3613	1-216-841-11	METAL CHIP	47K	5%	1/10W
R3544	1-216-805-11	METAL CHIP	47	5%	1/10W	R3614	1-216-841-11	METAL CHIP	47K	5%	1/10W
R3545	1-216-805-11	METAL CHIP	47	5%	1/10W	R3615	1-216-841-11	METAL CHIP	47K	5%	1/10W
R3546	1-216-857-11	METAL CHIP	1M	5%	1/10W	R3616	1-216-841-11	METAL CHIP	47K	5%	1/10W
R3548	1-216-805-11	METAL CHIP	47	5%	1/10W	R3617	1-216-833-11	METAL CHIP	10K	5%	1/10W
R3549	1-216-805-11	METAL CHIP	47	5%	1/10W	R3618	1-216-833-11	METAL CHIP	10K	5%	1/10W
R3550	1-216-805-11	METAL CHIP	47	5%	1/10W	R3619	1-216-833-11	METAL CHIP	10K	5%	1/10W
R3551	1-216-805-11	METAL CHIP	47	5%	1/10W	R3620	1-216-833-11	METAL CHIP	10K	5%	1/10W

STR-DA5400ES

D VIDEO

Ref. No.	Part No.	Description			Remark	Ref. No.	Part No.	Description			Remark
R3621	1-216-833-11	METAL CHIP	10K	5%	1/10W	R3688	1-211-977-11	METAL CHIP	22	0.5%	1/10W
R3622	1-216-833-11	METAL CHIP	10K	5%	1/10W	R3690	1-211-983-11	METAL CHIP	39	0.5%	1/10W
R3623	1-208-647-11	METAL CHIP	33	0.5%	1/16W	R3691	1-216-833-11	METAL CHIP	10K	5%	1/10W
R3624	1-216-864-11	SHORT CHIP	0			R3692	1-211-977-11	METAL CHIP	22	0.5%	1/10W
R3625	1-216-864-11	SHORT CHIP	0			R3693	1-211-983-11	METAL CHIP	39	0.5%	1/10W
R3626	1-216-833-11	METAL CHIP	10K	5%	1/10W	R3694	1-216-833-11	METAL CHIP	10K	5%	1/10W
R3627	1-216-864-11	SHORT CHIP	0			R3695	1-211-977-11	METAL CHIP	22	0.5%	1/10W
R3628	1-216-821-11	METAL CHIP	1K	5%	1/10W	R3696	1-211-983-11	METAL CHIP	39	0.5%	1/10W
R3629	1-218-871-11	METAL CHIP	10K	0.5%	1/10W	R3697	1-216-295-91	SHORT CHIP	0		
R3630	1-218-871-11	METAL CHIP	10K	0.5%	1/10W	R3698	1-216-833-11	METAL CHIP	10K	5%	1/10W
R3631	1-208-677-11	METAL CHIP	560	0.5%	1/16W	R3699	1-216-864-11	SHORT CHIP	0		
R3632	1-208-677-11	METAL CHIP	560	0.5%	1/16W	R3700	1-216-837-11	METAL CHIP	22K	5%	1/10W
R3633	1-216-864-11	SHORT CHIP	0			R3702	1-211-987-11	METAL CHIP	56	0.5%	1/10W
R3635	1-216-857-11	METAL CHIP	1M	5%	1/10W	R3703	1-218-831-11	METAL CHIP	220	0.5%	1/10W
R3636	1-208-855-81	METAL CHIP	47	0.5%	1/16W	R3704	1-216-805-11	METAL CHIP	47	5%	1/10W
R3637	1-208-855-81	METAL CHIP	47	0.5%	1/16W	R3705	1-216-864-11	SHORT CHIP	0		
R3638	1-216-821-11	METAL CHIP	1K	5%	1/10W	R3706	1-216-864-11	SHORT CHIP	0		
R3639	1-216-833-11	METAL CHIP	10K	5%	1/10W	R3707	1-216-864-11	SHORT CHIP	0		
R3640	1-216-864-11	SHORT CHIP	0			R3708	1-216-864-11	SHORT CHIP	0		
R3643	1-216-864-11	SHORT CHIP	0			R3709	1-216-864-11	SHORT CHIP	0		
R3644	1-216-864-11	SHORT CHIP	0			R3710	1-216-805-11	METAL CHIP	47	5%	1/10W
R3646	1-216-833-11	METAL CHIP	10K	5%	1/10W	R3711	1-216-805-11	METAL CHIP	47	5%	1/10W
R3647	1-216-841-11	METAL CHIP	47K	5%	1/10W	R3713	1-211-987-11	METAL CHIP	56	0.5%	1/10W
R3648	1-216-841-11	METAL CHIP	47K	5%	1/10W	R3714	1-211-987-11	METAL CHIP	56	0.5%	1/10W
R3649	1-216-833-11	METAL CHIP	10K	5%	1/10W	R3715	1-211-987-11	METAL CHIP	56	0.5%	1/10W
R3650	1-216-833-11	METAL CHIP	10K	5%	1/10W	R3716	1-218-831-11	METAL CHIP	220	0.5%	1/10W
R3651	1-216-833-11	METAL CHIP	10K	5%	1/10W	R3717	1-211-977-11	METAL CHIP	22	0.5%	1/10W
R3652	1-216-833-11	METAL CHIP	10K	5%	1/10W	R3718	1-218-831-11	METAL CHIP	220	0.5%	1/10W
R3653	1-216-833-11	METAL CHIP	10K	5%	1/10W	R3719	1-211-977-11	METAL CHIP	22	0.5%	1/10W
R3654	1-216-833-11	METAL CHIP	10K	5%	1/10W	R3720	1-211-977-11	METAL CHIP	22	0.5%	1/10W
R3655	1-216-833-11	METAL CHIP	10K	5%	1/10W	R3721	1-211-977-11	METAL CHIP	22	0.5%	1/10W
R3656	1-216-833-11	METAL CHIP	10K	5%	1/10W	R3722	1-211-977-11	METAL CHIP	22	0.5%	1/10W
R3657	1-216-833-11	METAL CHIP	10K	5%	1/10W	R3723	1-211-977-11	METAL CHIP	22	0.5%	1/10W
R3658	1-216-833-11	METAL CHIP	10K	5%	1/10W	R3724	1-211-977-11	METAL CHIP	22	0.5%	1/10W
R3660	1-216-833-11	METAL CHIP	10K	5%	1/10W	R3725	1-211-977-11	METAL CHIP	22	0.5%	1/10W
R3661	1-216-833-11	METAL CHIP	10K	5%	1/10W	R3728	1-216-837-11	METAL CHIP	22K	5%	1/10W
R3664	1-216-833-11	METAL CHIP	10K	5%	1/10W	R3730	1-211-990-11	METAL CHIP	75	0.5%	1/10W
R3665	1-216-826-11	METAL CHIP	2.7K	5%	1/10W	R3731	1-216-833-11	METAL CHIP	10K	5%	1/10W
R3666	1-216-833-11	METAL CHIP	10K	5%	1/10W	R3733	1-216-864-11	SHORT CHIP	0		
R3667	1-216-833-11	METAL CHIP	10K	5%	1/10W	R3734	1-216-864-11	SHORT CHIP	0		
R3668	1-216-833-11	METAL CHIP	10K	5%	1/10W	R3735	1-216-864-11	SHORT CHIP	0		
R3669	1-216-805-11	METAL CHIP	47	5%	1/10W	R3736	1-216-803-11	METAL CHIP	33	5%	1/10W
R3670	1-216-805-11	METAL CHIP	47	5%	1/10W	R3737	1-216-295-91	SHORT CHIP	0		
R3671	1-216-864-11	SHORT CHIP	0			R3738	1-216-817-11	METAL CHIP	470	5%	1/10W
R3672	1-216-864-11	SHORT CHIP	0			R3739	1-216-805-11	METAL CHIP	47	5%	1/10W
R3673	1-216-864-11	SHORT CHIP	0			R3740	1-216-810-11	METAL CHIP	120	5%	1/10W
R3674	1-216-864-11	SHORT CHIP	0			R3741	1-216-815-11	METAL CHIP	330	5%	1/10W
R3675	1-216-805-11	METAL CHIP	47	5%	1/10W	R3744	1-216-833-11	METAL CHIP	10K	5%	1/10W
R3676	1-216-864-11	SHORT CHIP	0			R3747	1-216-833-11	METAL CHIP	10K	5%	1/10W
R3677	1-216-864-11	SHORT CHIP	0			R3748	1-216-833-11	METAL CHIP	10K	5%	1/10W
R3678	1-216-864-11	SHORT CHIP	0			R3749	1-216-833-11	METAL CHIP	10K	5%	1/10W
R3679	1-216-805-11	METAL CHIP	47	5%	1/10W	R3750	1-216-864-11	SHORT CHIP	0		
R3680	1-216-805-11	METAL CHIP	47	5%	1/10W	R3751	1-216-821-11	METAL CHIP	1K	5%	1/10W
R3681	1-216-805-11	METAL CHIP	47	5%	1/10W	R3752	1-216-864-11	SHORT CHIP	0		
R3682	1-216-833-11	METAL CHIP	10K	5%	1/10W	R3753	1-216-864-11	SHORT CHIP	0		
R3683	1-216-833-11	METAL CHIP	10K	5%	1/10W	R3754	1-216-864-11	SHORT CHIP	0		
R3684	1-216-833-11	METAL CHIP	10K	5%	1/10W	R3755	1-216-864-11	SHORT CHIP	0		
R3685	1-216-809-11	METAL CHIP	100	5%	1/10W	R3756	1-216-864-11	SHORT CHIP	0		
R3686	1-216-833-11	METAL CHIP	10K	5%	1/10W	R3757	1-216-833-11	METAL CHIP	10K	5%	1/10W
R3687	1-211-977-11	METAL CHIP	22	0.5%	1/10W	R3758	1-216-864-11	SHORT CHIP	0		

Ref. No.	Part No.	Description	Remark	Ref. No.	Part No.	Description	Remark
R3759	1-216-864-11	SHORT CHIP	0	R3830	1-208-647-11	METAL CHIP	33 0.5% 1/16W
R3760	1-216-864-11	SHORT CHIP	0	R3831	1-208-647-11	METAL CHIP	33 0.5% 1/16W
R3764	1-216-833-11	METAL CHIP	10K 5% 1/10W	R3832	1-208-647-11	METAL CHIP	33 0.5% 1/16W
R3765	1-216-833-11	METAL CHIP	10K 5% 1/10W	R3833	1-208-647-11	METAL CHIP	33 0.5% 1/16W
R3766	1-216-833-11	METAL CHIP	10K 5% 1/10W	R3834	1-208-647-11	METAL CHIP	33 0.5% 1/16W
R3767	1-216-833-11	METAL CHIP	10K 5% 1/10W	R3835	1-208-647-11	METAL CHIP	33 0.5% 1/16W
R3768	1-216-833-11	METAL CHIP	10K 5% 1/10W	R3836	1-208-647-11	METAL CHIP	33 0.5% 1/16W
R3769	1-216-833-11	METAL CHIP	10K 5% 1/10W	R3837	1-208-647-11	METAL CHIP	33 0.5% 1/16W
R3770	1-216-833-11	METAL CHIP	10K 5% 1/10W	R3838	1-208-647-11	METAL CHIP	33 0.5% 1/16W
R3771	1-216-833-11	METAL CHIP	10K 5% 1/10W	R3839	1-208-647-11	METAL CHIP	33 0.5% 1/16W
R3772	1-216-833-11	METAL CHIP	10K 5% 1/10W	R3840	1-208-647-11	METAL CHIP	33 0.5% 1/16W
R3773	1-216-833-11	METAL CHIP	10K 5% 1/10W	R3841	1-208-647-11	METAL CHIP	33 0.5% 1/16W
R3774	1-216-833-11	METAL CHIP	10K 5% 1/10W	R3842	1-208-647-11	METAL CHIP	33 0.5% 1/16W
R3775	1-216-841-11	METAL CHIP	47K 5% 1/10W	R3843	1-208-647-11	METAL CHIP	33 0.5% 1/16W
R3776	1-216-841-11	METAL CHIP	47K 5% 1/10W	R3844	1-208-647-11	METAL CHIP	33 0.5% 1/16W
R3777	1-208-647-11	METAL CHIP	33 0.5% 1/16W	R3845	1-208-647-11	METAL CHIP	33 0.5% 1/16W
R3778	1-208-647-11	METAL CHIP	33 0.5% 1/16W	R3846	1-208-647-11	METAL CHIP	33 0.5% 1/16W
R3779	1-208-647-11	METAL CHIP	33 0.5% 1/16W	R3847	1-208-647-11	METAL CHIP	33 0.5% 1/16W
R3780	1-208-647-11	METAL CHIP	33 0.5% 1/16W	R3848	1-208-647-11	METAL CHIP	33 0.5% 1/16W
R3781	1-216-813-11	METAL CHIP	220 5% 1/10W	R3849	1-216-833-11	METAL CHIP	10K 5% 1/10W
R3783	1-216-833-11	METAL CHIP	10K 5% 1/10W	R3854	1-216-864-11	SHORT CHIP	0
R3785	1-216-833-11	METAL CHIP	10K 5% 1/10W	R3855	1-216-864-11	SHORT CHIP	0
R3786	1-216-833-11	METAL CHIP	10K 5% 1/10W	R3856	1-216-864-11	SHORT CHIP	0
R3792	1-216-833-11	METAL CHIP	10K 5% 1/10W	R3857	1-216-864-11	SHORT CHIP	0
R3793	1-216-833-11	METAL CHIP	10K 5% 1/10W	R3858	1-216-864-11	SHORT CHIP	0
R3794	1-216-833-11	METAL CHIP	10K 5% 1/10W	R3860	1-216-864-11	SHORT CHIP	0
R3795	1-208-647-11	METAL CHIP	33 0.5% 1/16W	R3861	1-216-864-11	SHORT CHIP	0
R3796	1-208-647-11	METAL CHIP	33 0.5% 1/16W	R3862	1-218-935-11	METAL CHIP	33 5% 1/16W
R3797	1-208-647-11	METAL CHIP	33 0.5% 1/16W	R3863	1-218-857-11	METAL CHIP	2.7K 0.5% 1/10W
R3798	1-208-647-11	METAL CHIP	33 0.5% 1/16W	R3864	1-218-857-11	METAL CHIP	2.7K 0.5% 1/10W
R3799	1-216-833-11	METAL CHIP	10K 5% 1/10W	R3865	1-216-819-11	METAL CHIP	680 5% 1/10W
R3800	1-216-805-11	METAL CHIP	47 5% 1/10W	R3866	1-216-809-11	METAL CHIP	100 5% 1/10W
R3801	1-216-833-11	METAL CHIP	10K 5% 1/10W	R3867	1-218-835-11	METAL CHIP	330 0.5% 1/10W
R3803	1-216-864-11	SHORT CHIP	0	R3868	1-218-835-11	METAL CHIP	330 0.5% 1/10W
R3804	1-216-864-11	SHORT CHIP	0	R3870	1-216-864-11	SHORT CHIP	0
R3805	1-208-647-11	METAL CHIP	33 0.5% 1/16W	R3871	1-218-834-11	METAL CHIP	300 0.5% 1/10W
R3806	1-208-647-11	METAL CHIP	33 0.5% 1/16W	R3872	1-218-834-11	METAL CHIP	300 0.5% 1/10W
R3807	1-208-647-11	METAL CHIP	33 0.5% 1/16W	R3873	1-218-834-11	METAL CHIP	300 0.5% 1/10W
R3808	1-208-647-11	METAL CHIP	33 0.5% 1/16W	R3874	1-218-834-11	METAL CHIP	300 0.5% 1/10W
R3809	1-208-677-11	METAL CHIP	560 0.5% 1/16W	R3875	1-218-834-11	METAL CHIP	300 0.5% 1/10W
R3810	1-208-677-11	METAL CHIP	560 0.5% 1/16W	R3876	1-218-834-11	METAL CHIP	300 0.5% 1/10W
R3811	1-216-833-11	METAL CHIP	10K 5% 1/10W	R3877	1-218-933-11	METAL CHIP	22 5% 1/16W
R3812	1-216-833-11	METAL CHIP	10K 5% 1/10W	R3878	1-216-833-11	METAL CHIP	10K 5% 1/10W
R3813	1-216-864-11	SHORT CHIP	0	R3883	1-216-833-11	METAL CHIP	10K 5% 1/10W
R3814	1-216-864-11	SHORT CHIP	0	R3884	1-218-856-11	METAL CHIP	2.4K 0.5% 1/10W
R3815	1-216-833-11	METAL CHIP	10K 5% 1/10W	R3885	1-218-871-11	METAL CHIP	10K 0.5% 1/10W
R3816	1-216-833-11	METAL CHIP	10K 5% 1/10W	R3886	1-216-833-11	METAL CHIP	10K 5% 1/10W
R3817	1-208-647-11	METAL CHIP	33 0.5% 1/16W	R3887	1-216-803-11	METAL CHIP	33 5% 1/10W
R3818	1-208-647-11	METAL CHIP	33 0.5% 1/16W	R3888	1-216-803-11	METAL CHIP	33 5% 1/10W
R3819	1-208-647-11	METAL CHIP	33 0.5% 1/16W	R3889	1-216-803-11	METAL CHIP	33 5% 1/10W
R3820	1-208-647-11	METAL CHIP	33 0.5% 1/16W	R3890	1-216-803-11	METAL CHIP	33 5% 1/10W
R3821	1-208-647-11	METAL CHIP	33 0.5% 1/16W	R3891	1-218-933-11	METAL CHIP	22 5% 1/16W
R3822	1-208-647-11	METAL CHIP	33 0.5% 1/16W	R3892	1-216-833-11	METAL CHIP	10K 5% 1/10W
R3823	1-208-647-11	METAL CHIP	33 0.5% 1/16W	R3893	1-218-935-11	METAL CHIP	33 5% 1/16W
R3824	1-208-647-11	METAL CHIP	33 0.5% 1/16W	R3894	1-218-935-11	METAL CHIP	33 5% 1/16W
R3825	1-208-647-11	METAL CHIP	33 0.5% 1/16W	R3895	1-208-647-11	METAL CHIP	33 0.5% 1/16W
R3826	1-208-647-11	METAL CHIP	33 0.5% 1/16W	R3896	1-208-647-11	METAL CHIP	33 0.5% 1/16W
R3827	1-208-647-11	METAL CHIP	33 0.5% 1/16W	R3897	1-216-805-11	METAL CHIP	47 5% 1/10W
R3828	1-208-647-11	METAL CHIP	33 0.5% 1/16W	R3898	1-216-805-11	METAL CHIP	47 5% 1/10W
R3829	1-208-647-11	METAL CHIP	33 0.5% 1/16W	R3899	1-216-805-11	METAL CHIP	47 5% 1/10W

STR-DA5400ES

D VIDEO

Ref. No.	Part No.	Description	Remark	Ref. No.	Part No.	Description	Remark
R3900	1-216-805-11	METAL CHIP	47 5%	1/10W	R3961	1-218-873-11	METAL CHIP 12K 0.5% 1/10W
R3901	1-218-832-11	METAL CHIP	240 0.5%	1/10W	R3962	1-216-846-11	METAL CHIP 120K 5% 1/10W
R3902	1-211-980-11	METAL CHIP	30 0.5%	1/10W	R3963	1-216-837-11	METAL CHIP 22K 5% 1/10W
R3903	1-211-980-11	METAL CHIP	30 0.5%	1/10W	R3965	1-208-647-11	METAL CHIP 33 0.5% 1/16W
R3904	1-216-805-11	METAL CHIP	47 5%	1/10W	R3966	1-208-647-11	METAL CHIP 33 0.5% 1/16W
R3905	1-216-805-11	METAL CHIP	47 5%	1/10W	R3967	1-208-647-11	METAL CHIP 33 0.5% 1/16W
R3906	1-218-935-11	METAL CHIP	33 5%	1/16W	R3968	1-208-647-11	METAL CHIP 33 0.5% 1/16W
R3907	1-216-805-11	METAL CHIP	47 5%	1/10W	R3969	1-208-647-11	METAL CHIP 33 0.5% 1/16W
R3908	1-216-805-11	METAL CHIP	47 5%	1/10W	R3970	1-208-855-81	METAL CHIP 47 0.5% 1/16W
R3909	1-216-805-11	METAL CHIP	47 5%	1/10W	R3971	1-208-855-81	METAL CHIP 47 0.5% 1/16W
R3910	1-216-833-11	METAL CHIP	10K 5%	1/10W	R3972	1-208-647-11	METAL CHIP 33 0.5% 1/16W
R3911	1-216-821-11	METAL CHIP	1K 5%	1/10W	R3973	1-216-833-11	METAL CHIP 10K 5% 1/10W
R3912	1-208-647-11	METAL CHIP	33 0.5%	1/16W	R3974	1-208-647-11	METAL CHIP 33 0.5% 1/16W
R3913	1-216-864-11	SHORT CHIP	0		R3975	1-208-647-11	METAL CHIP 33 0.5% 1/16W
R3914	1-216-864-11	SHORT CHIP	0		R3976	1-216-810-11	METAL CHIP 120 5% 1/10W
R3915	1-208-647-11	METAL CHIP	33 0.5%	1/16W	R3977	1-208-647-11	METAL CHIP 33 0.5% 1/16W
R3916	1-208-647-11	METAL CHIP	33 0.5%	1/16W	R3978	1-208-647-11	METAL CHIP 33 0.5% 1/16W
R3917	1-208-647-11	METAL CHIP	33 0.5%	1/16W	R3979	1-208-647-11	METAL CHIP 33 0.5% 1/16W
R3918	1-208-647-11	METAL CHIP	33 0.5%	1/16W	R3980	1-208-647-11	METAL CHIP 33 0.5% 1/16W
R3919	1-208-647-11	METAL CHIP	33 0.5%	1/16W	R3981	1-216-833-11	METAL CHIP 10K 5% 1/10W
R3920	1-208-647-11	METAL CHIP	33 0.5%	1/16W	R3983	1-216-809-11	METAL CHIP 100 5% 1/10W
R3921	1-208-647-11	METAL CHIP	33 0.5%	1/16W	R3984	1-216-864-11	SHORT CHIP 0
R3922	1-208-647-11	METAL CHIP	33 0.5%	1/16W	R3985	1-216-810-11	METAL CHIP 120 5% 1/10W
R3923	1-208-647-11	METAL CHIP	33 0.5%	1/16W	R3986	1-216-809-11	METAL CHIP 100 5% 1/10W
R3924	1-208-647-11	METAL CHIP	33 0.5%	1/16W	R3987	1-216-833-11	METAL CHIP 10K 5% 1/10W
R3925	1-208-647-11	METAL CHIP	33 0.5%	1/16W	R3988	1-216-833-11	METAL CHIP 10K 5% 1/10W
R3926	1-208-647-11	METAL CHIP	33 0.5%	1/16W	R3989	1-216-833-11	METAL CHIP 10K 5% 1/10W
R3927	1-208-647-11	METAL CHIP	33 0.5%	1/16W	R3990	1-216-805-11	METAL CHIP 47 5% 1/10W
R3928	1-208-647-11	METAL CHIP	33 0.5%	1/16W	R3991	1-216-810-11	METAL CHIP 120 5% 1/10W
R3929	1-208-647-11	METAL CHIP	33 0.5%	1/16W	R3992	1-216-829-11	METAL CHIP 4.7K 5% 1/10W
R3930	1-208-647-11	METAL CHIP	33 0.5%	1/16W	R3993	1-216-821-11	METAL CHIP 1K 5% 1/10W
R3931	1-208-647-11	METAL CHIP	33 0.5%	1/16W	R3994	1-216-821-11	METAL CHIP 1K 5% 1/10W
R3932	1-208-647-11	METAL CHIP	33 0.5%	1/16W	R3995	1-216-833-11	METAL CHIP 10K 5% 1/10W
R3933	1-208-647-11	METAL CHIP	33 0.5%	1/16W	R3996	1-216-805-11	METAL CHIP 47 5% 1/10W
R3934	1-208-647-11	METAL CHIP	33 0.5%	1/16W	R3997	1-216-805-11	METAL CHIP 47 5% 1/10W
R3935	1-208-647-11	METAL CHIP	33 0.5%	1/16W	R3998	1-216-864-11	SHORT CHIP 0
R3936	1-208-647-11	METAL CHIP	33 0.5%	1/16W			
R3937	1-216-826-11	METAL CHIP	2.7K 5%	1/10W			< COMPOSITION CIRCUIT BLOCK >
R3938	1-216-826-11	METAL CHIP	2.7K 5%	1/10W	RB3502	1-234-369-21	RES, NETWORK 10 (1005X4)
R3939	1-216-833-11	METAL CHIP	10K 5%	1/10W	RB3503	1-234-369-21	RES, NETWORK 10 (1005X4)
R3940	1-218-889-11	METAL CHIP	56K 0.5%	1/10W	RB3505	1-234-400-21	CONDUCTOR, NETWORK (1005X4)
R3941	1-218-883-11	METAL CHIP	33K 0.5%	1/10W	RB3506	1-234-400-21	CONDUCTOR, NETWORK (1005X4)
R3942	1-218-859-11	METAL CHIP	3.3K 0.5%	1/10W	RB3508	1-234-400-21	CONDUCTOR, NETWORK (1005X4)
R3943	1-218-867-11	METAL CHIP	6.8K 0.5%	1/10W	RB3509	1-234-400-21	CONDUCTOR, NETWORK (1005X4)
R3944	1-216-823-11	METAL CHIP	1.5K 5%	1/10W	RB3512	1-234-369-21	RES, NETWORK 10 (1005X4)
R3945	1-216-823-11	METAL CHIP	1.5K 5%	1/10W	RB3513	1-234-369-21	RES, NETWORK 10 (1005X4)
R3946	1-216-833-11	METAL CHIP	10K 5%	1/10W	RB3515	1-234-400-21	CONDUCTOR, NETWORK (1005X4)
R3947	1-216-864-11	SHORT CHIP	0		RB3516	1-234-400-21	CONDUCTOR, NETWORK (1005X4)
R3949	1-216-823-11	METAL CHIP	1.5K 5%	1/10W	RB3518	1-234-400-21	CONDUCTOR, NETWORK (1005X4)
R3950	1-216-823-11	METAL CHIP	1.5K 5%	1/10W	RB3519	1-234-400-21	CONDUCTOR, NETWORK (1005X4)
R3951	1-216-864-11	SHORT CHIP	0		RB3522	1-234-369-21	RES, NETWORK 10 (1005X4)
R3952	1-216-864-11	SHORT CHIP	0		RB3523	1-234-369-21	RES, NETWORK 10 (1005X4)
R3953	1-208-647-11	METAL CHIP	33 0.5%	1/16W	RB3525	1-234-400-21	CONDUCTOR, NETWORK (1005X4)
R3954	1-216-864-11	SHORT CHIP	0		RB3526	1-234-400-21	CONDUCTOR, NETWORK (1005X4)
R3955	1-218-883-11	METAL CHIP	33K 0.5%	1/10W	RB3528	1-234-400-21	CONDUCTOR, NETWORK (1005X4)
R3956	1-218-884-11	METAL CHIP	36K 0.5%	1/10W	RB3529	1-234-400-21	CONDUCTOR, NETWORK (1005X4)
R3957	1-218-889-11	METAL CHIP	56K 0.5%	1/10W	RB3601	1-242-963-21	RES, NETWORK 33 (1005X4)
R3958	1-218-883-11	METAL CHIP	33K 0.5%	1/10W	RB3602	1-242-963-21	RES, NETWORK 33 (1005X4)
R3959	1-216-833-11	METAL CHIP	10K 5%	1/10W	RB3603	1-234-370-21	RES, NETWORK 22 (1005X4)
R3960	1-218-875-11	METAL CHIP	15K 0.5%	1/10W	RB3604	1-234-370-21	RES, NETWORK 22 (1005X4)

D VIDEO

DC-DC

Ref. No.	Part No.	Description	Remark	Ref. No.	Part No.	Description	Remark
RB3605	1-242-963-21	RES, NETWORK 33 (1005X4)		C1423	1-164-161-11	CERAMIC CHIP 0.0022uF 10%	50V
RB3606	1-234-370-21	RES, NETWORK 22 (1005X4)		C1425	1-115-339-11	CERAMIC CHIP 0.1uF 10%	50V
RB3607	1-234-370-21	RES, NETWORK 22 (1005X4)		C1426	1-115-339-11	CERAMIC CHIP 0.1uF 10%	50V
RB3608	1-234-370-21	RES, NETWORK 22 (1005X4)		C1427	1-115-339-11	CERAMIC CHIP 0.1uF 10%	50V
RB3609	1-242-963-21	RES, NETWORK 33 (1005X4)		C1428	1-115-339-11	CERAMIC CHIP 0.1uF 10%	50V
RB3610	1-234-370-21	RES, NETWORK 22 (1005X4)		C1429	1-115-339-11	CERAMIC CHIP 0.1uF 10%	50V
RB3611	1-242-963-21	RES, NETWORK 33 (1005X4)		C1430	1-115-339-11	CERAMIC CHIP 0.1uF 10%	50V
RB3612	1-234-370-21	RES, NETWORK 22 (1005X4)				< CONNECTOR >	
RB3613	1-242-963-21	RES, NETWORK 33 (1005X4)		CN1401	1-691-776-11	PLUG (MICRO CONNECTOR) 14P	
RB3614	1-242-963-21	RES, NETWORK 33 (1005X4)		* CN1402	1-564-506-11	PLUG, CONNECTOR 3P	
RB3615	1-242-963-21	RES, NETWORK 33 (1005X4)		CX1402	1-778-293-11	PLUG (MICRO CONNECTOR) 2P	
RB3618	1-242-963-21	RES, NETWORK 33 (1005X4)		CX1451	1-785-101-11	PIN, CONNECTOR (3.96mm PITCH) 3P	
RB3619	1-242-963-21	RES, NETWORK 33 (1005X4)				< DIODE >	
RB3620	1-242-963-21	RES, NETWORK 33 (1005X4)		D1401	8-719-072-05	DIODE RBV-602LF-A	
RB3621	1-242-963-21	RES, NETWORK 33 (1005X4)		D1402	8-719-301-45	DIODE RK14	
RB3622	1-242-963-21	RES, NETWORK 33 (1005X4)		D1403	8-719-301-45	DIODE RK14	
RB3623	1-242-963-21	RES, NETWORK 33 (1005X4)		D1404	8-719-312-08	DIODE FMB-G16L	
RB3624	1-242-963-21	RES, NETWORK 33 (1005X4)		D1405	8-719-301-45	DIODE RK14	
RB3625	1-242-963-21	RES, NETWORK 33 (1005X4)		D1406	8-719-301-45	DIODE RK14	
RB3627	1-234-371-21	RES, NETWORK 47 (1005X4)				< FUSE HOLDER >	
RB3628	1-234-371-21	RES, NETWORK 47 (1005X4)		FH1403	1-533-233-11	FUSE HOLDER	
RB3629	1-234-370-21	RES, NETWORK 22 (1005X4)		FH1404	1-533-233-11	FUSE HOLDER	
RB3630	1-234-370-21	RES, NETWORK 22 (1005X4)				< IC >	
RB3631	1-234-370-21	RES, NETWORK 22 (1005X4)		IC1401	8-759-474-09	IC SI-8050S-LF1101	
RB3632	1-234-370-21	RES, NETWORK 22 (1005X4)		IC1402	6-711-058-01	IC SI-8008HFE	
RB3633	1-234-370-21	RES, NETWORK 22 (1005X4)		IC1403	6-711-058-01	IC SI-8008HFE	
RB3636	1-234-370-21	RES, NETWORK 22 (1005X4)		IC1404	8-759-474-09	IC SI-8050S-LF1101	
RB3637	1-234-370-21	RES, NETWORK 22 (1005X4)		IC1405	6-701-021-01	IC SI-8120JF	
RB3638	1-234-370-21	RES, NETWORK 22 (1005X4)				< COIL >	
RB3639	1-234-370-21	RES, NETWORK 22 (1005X4)		L1401	1-456-545-11	COIL, CHOKE 100uH	
		< RELAY >		L1402	1-456-545-11	COIL, CHOKE 100uH	
RY3601	1-755-624-11	RELAY FTR-B4GA003Z		L1403	1-456-545-11	COIL, CHOKE 100uH	
		< VIBRATOR >		L1404	1-456-545-11	COIL, CHOKE 100uH	
X3501	1-813-570-21	VIBRATOR, CRYSTAL (28.322MHZ)		L1405	1-456-545-11	COIL, CHOKE 100uH	
X3601	1-813-807-11	VIBRATOR, CRYSTAL (33.2MHZ)		L1406	1-457-508-11	COIL, CHOKE 0.1mH	
X3602	1-814-150-11	OSCILLATOR, CRYSTAL (19.6608MHZ)		L1407	1-481-254-11	COIL, CHOKE 0.1mH	
X3603	1-781-646-21	VIBRATOR, CERAMIC (4MHZ)		L1408	1-481-254-11	COIL, CHOKE 0.1mH	
		*****		L1409	1-457-508-11	COIL, CHOKE 0.1mH	
		*****		L1410	1-457-508-11	COIL, CHOKE 0.1mH	
A-1538-912-A		DC-DC BOARD, COMPLETE				< TRANSISTOR >	
		*****		Q1409	8-729-027-52	TRANSISTOR DTC124EKA-T146	
		< CAPACITOR >				< RESISTOR >	
C1402	1-128-549-11	ELECT 3300uF 20%	35V	R1401	1-216-041-00	METAL CHIP 470 5%	1/10W
C1403	1-128-959-21	ELECT 1000uF 20%	35V	R1402	1-216-025-11	METAL CHIP 100 5%	1/10W
C1404	1-128-959-21	ELECT 1000uF 20%	35V	R1403	1-216-033-00	METAL CHIP 220 5%	1/10W
C1405	1-100-924-21	ELECT 2200uF 20%	35V	R1404	1-216-041-00	METAL CHIP 470 5%	1/10W
C1406	1-128-959-21	ELECT 1000uF 20%	35V	R1405	1-216-057-00	METAL CHIP 2.2K 5%	1/10W
C1407	1-128-959-21	ELECT 1000uF 20%	35V	R1406	1-216-017-91	METAL CHIP 47 5%	1/10W
C1408	1-115-339-11	CERAMIC CHIP 0.1uF 10%	50V	R1407	1-216-049-11	METAL CHIP 1K 5%	1/10W
C1409	1-115-339-11	CERAMIC CHIP 0.1uF 10%	50V	R1408	1-216-017-91	METAL CHIP 47 5%	1/10W
C1410	1-115-339-11	CERAMIC CHIP 0.1uF 10%	50V	R1409	1-216-025-11	METAL CHIP 100 5%	1/10W
C1412	1-115-339-11	CERAMIC CHIP 0.1uF 10%	50V	R1410	1-216-025-11	METAL CHIP 100 5%	1/10W
C1413	1-128-950-21	ELECT 1000uF 20%	16V	R1411	1-216-049-11	METAL CHIP 1K 5%	1/10W
C1414	1-128-950-21	ELECT 1000uF 20%	16V				
C1415	1-128-951-21	ELECT 2200uF 20%	16V				
C1416	1-128-950-21	ELECT 1000uF 20%	16V				
C1417	1-128-950-21	ELECT 1000uF 20%	16V				

STR-DA5400ES

DC-DC **DCDC2** **DIGITAL**

Ref. No.	Part No.	Description	Remark
R1412	1-216-037-00	METAL CHIP 330 5%	1/10W
R1417	1-216-158-00	METAL CHIP 22 5%	1/8W

		DCDC2 BOARD	*****
	7-685-646-79	SCREW +BVTP 3X8 TYPE2 IT-3	
		< CAPACITOR >	
C1451	1-100-924-21	ELECT 2200uF 20%	35V
C1453	1-115-339-11	CERAMIC CHIP 0.1uF 10%	50V
C1455	1-128-951-21	ELECT 2200uF 20%	16V
C1458	1-115-339-11	CERAMIC CHIP 0.1uF 10%	50V
		< CONNECTOR >	
* CN1450	1-564-104-00	PIN, CONNECTOR (3.96mm PITCH) 3P	
		< DIODE >	
D1451	8-719-312-08	DIODE FMB-G16L	
		< IC >	
IC1451	6-711-058-01	IC SI-8008HFE	
		< COIL >	
L1451	1-456-545-11	COIL, CHOKE 100uH	
L1453	1-481-254-11	COIL, CHOKE 0.1mH	
L1454	1-457-594-11	COIL, LINE FILTER 10uH	
		< RESISTOR >	
R1450	1-216-033-00	METAL CHIP 220 5%	1/10W
R1451	1-216-041-00	METAL CHIP 470 5%	1/10W
R1452	1-216-059-00	METAL CHIP 2.7K 5%	1/10W
R1453	1-216-025-11	METAL CHIP 100 5%	1/10W
R1454	1-216-025-11	METAL CHIP 100 5%	1/10W

	A-1538-080-A	DIGITAL BOARD, COMPLETE (US, CND)	
	A-1538-139-A	DIGITAL BOARD, COMPLETE (AEP, ECE, UK)	

	7-685-646-79	SCREW +BVTP 3X8 TYPE2 IT-3	
		< CAPACITOR >	
C2001	1-115-156-11	CERAMIC CHIP 1uF 10V	(AEP, ECE, UK)
C2004	1-125-891-11	CERAMIC CHIP 0.47uF 10V	(AEP, ECE, UK)
C2005	1-112-071-11	ELECT CHIP 220uF 20% 6.3V	(AEP, ECE, UK)
C2006	1-112-071-11	ELECT CHIP 220uF 20% 6.3V	(AEP, ECE, UK)
C2007	1-107-826-11	CERAMIC CHIP 0.1uF 10% 16V	(AEP, ECE, UK)
C2008	1-107-826-11	CERAMIC CHIP 0.1uF 10% 16V	(AEP, ECE, UK)
C2009	1-107-826-11	CERAMIC CHIP 0.1uF 10% 16V	(AEP, ECE, UK)
C2010	1-107-826-11	CERAMIC CHIP 0.1uF 10% 16V	(AEP, ECE, UK)
C2011	1-107-826-11	CERAMIC CHIP 0.1uF 10% 16V	(AEP, ECE, UK)
C2012	1-112-071-11	ELECT CHIP 220uF 20% 6.3V	(AEP, ECE, UK)

Ref. No.	Part No.	Description	Remark
C2013	1-107-826-11	CERAMIC CHIP 0.1uF 10% 16V	(AEP, ECE, UK)
C2014	1-107-826-11	CERAMIC CHIP 0.1uF 10% 16V	(AEP, ECE, UK)
C2015	1-107-826-11	CERAMIC CHIP 0.1uF 10% 16V	(AEP, ECE, UK)
C2016	1-107-826-11	CERAMIC CHIP 0.1uF 10% 16V	(AEP, ECE, UK)
C2017	1-107-826-11	CERAMIC CHIP 0.1uF 10% 16V	(AEP, ECE, UK)
C2018	1-107-826-11	CERAMIC CHIP 0.1uF 10% 16V	(AEP, ECE, UK)
C2019	1-107-826-11	CERAMIC CHIP 0.1uF 10% 16V	(AEP, ECE, UK)
C2020	1-107-826-11	CERAMIC CHIP 0.1uF 10% 16V	(AEP, ECE, UK)
C2021	1-107-826-11	CERAMIC CHIP 0.1uF 10% 16V	(AEP, ECE, UK)
C2022	1-107-826-11	CERAMIC CHIP 0.1uF 10% 16V	(AEP, ECE, UK)
C2023	1-107-826-11	CERAMIC CHIP 0.1uF 10% 16V	(AEP, ECE, UK)
C2024	1-107-826-11	CERAMIC CHIP 0.1uF 10% 16V	(AEP, ECE, UK)
C2025	1-107-826-11	CERAMIC CHIP 0.1uF 10% 16V	(AEP, ECE, UK)
C2026	1-107-826-11	CERAMIC CHIP 0.1uF 10% 16V	(AEP, ECE, UK)
C2027	1-107-826-11	CERAMIC CHIP 0.1uF 10% 16V	(AEP, ECE, UK)
C2028	1-107-826-11	CERAMIC CHIP 0.1uF 10% 16V	(AEP, ECE, UK)
C2029	1-107-826-11	CERAMIC CHIP 0.1uF 10% 16V	(AEP, ECE, UK)
C2030	1-107-826-11	CERAMIC CHIP 0.1uF 10% 16V	(AEP, ECE, UK)
C2031	1-107-826-11	CERAMIC CHIP 0.1uF 10% 16V	(AEP, ECE, UK)
C2032	1-107-826-11	CERAMIC CHIP 0.1uF 10% 16V	(AEP, ECE, UK)
C2033	1-107-826-11	CERAMIC CHIP 0.1uF 10% 16V	(AEP, ECE, UK)
C2034	1-107-826-11	CERAMIC CHIP 0.1uF 10% 16V	(AEP, ECE, UK)
C2036	1-107-826-11	CERAMIC CHIP 0.1uF 10% 16V	(AEP, ECE, UK)
C2037	1-107-826-11	CERAMIC CHIP 0.1uF 10% 16V	(AEP, ECE, UK)
C2038	1-162-916-11	CERAMIC CHIP 12PF 5% 50V	(AEP, ECE, UK)
C2039	1-112-071-11	ELECT CHIP 220uF 20% 6.3V	(AEP, ECE, UK)
C2040	1-107-826-11	CERAMIC CHIP 0.1uF 10% 16V	(AEP, ECE, UK)
C2041	1-162-916-11	CERAMIC CHIP 12PF 5% 50V	(AEP, ECE, UK)
C2201	1-107-826-11	CERAMIC CHIP 0.1uF 10% 16V	
C2202	1-107-826-11	CERAMIC CHIP 0.1uF 10% 16V	
C2203	1-107-826-11	CERAMIC CHIP 0.1uF 10% 16V	
C2204	1-107-826-11	CERAMIC CHIP 0.1uF 10% 16V	
C2205	1-107-826-11	CERAMIC CHIP 0.1uF 10% 16V	
C2206	1-107-826-11	CERAMIC CHIP 0.1uF 10% 16V	
C2207	1-112-080-11	ELECT 470uF 20% 10V	
C2208	1-162-970-11	CERAMIC CHIP 0.01uF 10% 25V	

Ref. No.	Part No.	Description			Remark	Ref. No.	Part No.	Description			Remark
C2209	1-107-826-11	CERAMIC CHIP	0.1uF	10%	16V	C2271	1-114-275-91	ELECT	220uF	20%	16V
C2210	1-112-089-11	ELECT	47uF	20%	25V						(AEP, ECE, UK)
C2211	1-107-826-11	CERAMIC CHIP	0.1uF	10%	16V	C2272	1-112-083-11	ELECT	100uF	20%	16V
C2212	1-112-089-11	ELECT	47uF	20%	25V						(US, CND)
C2213	1-107-826-11	CERAMIC CHIP	0.1uF	10%	16V	C2272	1-114-571-91	ELECT	470uF	20%	10V
C2214	1-112-089-11	ELECT	47uF	20%	25V						(AEP, ECE, UK)
C2215	1-107-826-11	CERAMIC CHIP	0.1uF	10%	16V	C2273	1-112-114-11	ELECT	22uF	20%	50V
C2216	1-107-826-11	CERAMIC CHIP	0.1uF	10%	16V						(US, CND)
C2217	1-107-826-11	CERAMIC CHIP	0.1uF	10%	16V	C2273	1-114-275-91	ELECT	220uF	20%	16V
C2221	1-112-080-11	ELECT	470uF	20%	10V						(AEP, ECE, UK)
C2222	1-107-826-11	CERAMIC CHIP	0.1uF	10%	16V	C2274	1-115-416-11	CERAMIC CHIP	0.001uF	5%	25V
C2223	1-107-826-11	CERAMIC CHIP	0.1uF	10%	16V	C2275	1-137-429-11	MYLAR	270PF	5%	50V
C2224	1-107-826-11	CERAMIC CHIP	0.1uF	10%	16V	C2276	1-137-457-11	MYLAR	0.0027uF	5%	100V
C2225	1-162-916-11	CERAMIC CHIP	12PF	5%	50V	C2277	1-107-826-11	CERAMIC CHIP	0.1uF	10%	16V
C2226	1-162-916-11	CERAMIC CHIP	12PF	5%	50V	C2278	1-112-100-11	ELECT	10uF	20%	50V
C2227	1-107-826-11	CERAMIC CHIP	0.1uF	10%	16V	C2279	1-112-083-11	ELECT	100uF	20%	16V
C2228	1-107-826-11	CERAMIC CHIP	0.1uF	10%	16V						(US, CND)
C2229	1-107-826-11	CERAMIC CHIP	0.1uF	10%	16V	C2279	1-114-571-91	ELECT	470uF	20%	10V
C2230	1-112-100-11	ELECT	10uF	20%	50V						(AEP, ECE, UK)
C2231	1-112-080-11	ELECT	470uF	20%	10V	C2280	1-107-826-11	CERAMIC CHIP	0.1uF	10%	16V
C2232	1-107-826-11	CERAMIC CHIP	0.1uF	10%	16V	C2281	1-107-826-11	CERAMIC CHIP	0.1uF	10%	16V
C2233	1-107-826-11	CERAMIC CHIP	0.1uF	10%	16V	C2282	1-112-100-11	ELECT	10uF	20%	50V
C2234	1-112-083-11	ELECT	100uF	20%	16V	C2283	1-115-416-11	CERAMIC CHIP	0.001uF	5%	25V
					(US, CND)	C2284	1-107-826-11	CERAMIC CHIP	0.1uF	10%	16V
C2234	1-114-571-91	ELECT	470uF	20%	10V	C2285	1-137-457-11	MYLAR	0.0027uF	5%	100V
					(AEP, ECE, UK)	C2286	1-137-429-11	MYLAR	270PF	5%	50V
C2235	1-164-227-11	CERAMIC CHIP	0.022uF	10%	25V	C2287	1-107-826-11	CERAMIC CHIP	0.1uF	10%	16V
C2236	1-107-826-11	CERAMIC CHIP	0.1uF	10%	16V	C2291	1-115-416-11	CERAMIC CHIP	0.001uF	5%	25V
C2237	1-162-927-11	CERAMIC CHIP	100PF	5%	50V	C2292	1-137-429-11	MYLAR	270PF	5%	50V
C2238	1-162-970-11	CERAMIC CHIP	0.01uF	10%	25V	C2293	1-137-457-11	MYLAR	0.0027uF	5%	100V
C2244	1-162-970-11	CERAMIC CHIP	0.01uF	10%	25V	C2295	1-112-100-11	ELECT	10uF	20%	50V
C2245	1-162-970-11	CERAMIC CHIP	0.01uF	10%	25V	C2296	1-112-100-11	ELECT	10uF	20%	50V
C2246	1-162-970-11	CERAMIC CHIP	0.01uF	10%	25V	C2297	1-115-416-11	CERAMIC CHIP	0.001uF	5%	25V
C2247	1-107-826-11	CERAMIC CHIP	0.1uF	10%	16V	C2298	1-137-457-11	MYLAR	0.0027uF	5%	100V
C2248	1-107-826-11	CERAMIC CHIP	0.1uF	10%	16V	C2299	1-137-429-11	MYLAR	270PF	5%	50V
C2249	1-107-826-11	CERAMIC CHIP	0.1uF	10%	16V	C2300	1-115-416-11	CERAMIC CHIP	0.001uF	5%	25V
C2250	1-107-826-11	CERAMIC CHIP	0.1uF	10%	16V	C2301	1-137-429-11	MYLAR	270PF	5%	50V
C2251	1-112-089-11	ELECT	47uF	20%	25V	C2302	1-137-457-11	MYLAR	0.0027uF	5%	100V
					(US, CND)	C2303	1-112-100-11	ELECT	10uF	20%	50V
C2251	1-114-571-91	ELECT	470uF	20%	10V	C2304	1-112-100-11	ELECT	10uF	20%	50V
					(AEP, ECE, UK)	C2305	1-115-416-11	CERAMIC CHIP	0.001uF	5%	25V
C2252	1-107-826-11	CERAMIC CHIP	0.1uF	10%	16V	C2306	1-137-457-11	MYLAR	0.0027uF	5%	100V
C2253	1-112-083-11	ELECT	100uF	20%	16V	C2307	1-137-429-11	MYLAR	270PF	5%	50V
C2254	1-107-826-11	CERAMIC CHIP	0.1uF	10%	16V	C2308	1-107-826-11	CERAMIC CHIP	0.1uF	10%	16V
C2255	1-107-826-11	CERAMIC CHIP	0.1uF	10%	16V	C2309	1-115-416-11	CERAMIC CHIP	0.001uF	5%	25V
C2256	1-112-083-11	ELECT	100uF	20%	16V	C2310	1-137-429-11	MYLAR	270PF	5%	50V
C2257	1-107-826-11	CERAMIC CHIP	0.1uF	10%	16V	C2311	1-137-457-11	MYLAR	0.0027uF	5%	100V
C2258	1-112-114-11	ELECT	22uF	20%	50V	C2312	1-107-826-11	CERAMIC CHIP	0.1uF	10%	16V
C2259	1-107-826-11	CERAMIC CHIP	0.1uF	10%	16V	C2313	1-107-826-11	CERAMIC CHIP	0.1uF	10%	16V
C2260	1-107-826-11	CERAMIC CHIP	0.1uF	10%	16V	C2314	1-112-100-11	ELECT	10uF	20%	50V
C2261	1-107-826-11	CERAMIC CHIP	0.1uF	10%	16V	C2315	1-162-970-11	CERAMIC CHIP	0.01uF	10%	25V
C2262	1-112-100-11	ELECT	10uF	20%	50V	C2316	1-112-100-11	ELECT	10uF	20%	50V
C2263	1-112-075-11	ELECT CHIP	47uF	20%	16V	C2317	1-115-416-11	CERAMIC CHIP	0.001uF	5%	25V
C2264	1-112-075-11	ELECT CHIP	47uF	20%	16V	C2318	1-137-457-11	MYLAR	0.0027uF	5%	100V
C2265	1-112-100-11	ELECT	10uF	20%	50V	C2319	1-137-429-11	MYLAR	270PF	5%	50V
C2266	1-107-826-11	CERAMIC CHIP	0.1uF	10%	16V	C2320	1-107-826-11	CERAMIC CHIP	0.1uF	10%	16V
C2267	1-107-826-11	CERAMIC CHIP	0.1uF	10%	16V	C2321	1-107-826-11	CERAMIC CHIP	0.1uF	10%	16V
C2268	1-107-826-11	CERAMIC CHIP	0.1uF	10%	16V	C2322	1-162-927-11	CERAMIC CHIP	100PF	5%	50V
C2270	1-107-826-11	CERAMIC CHIP	0.1uF	10%	16V	C2323	1-107-826-11	CERAMIC CHIP	0.1uF	10%	16V
C2271	1-112-114-11	ELECT	22uF	20%	50V	C2324	1-107-826-11	CERAMIC CHIP	0.1uF	10%	16V
					(US, CND)	C2325	1-107-826-11	CERAMIC CHIP	0.1uF	10%	16V

STR-DA5400ES

DIGITAL

Ref. No.	Part No.	Description				Remark	Ref. No.	Part No.	Description				Remark
C2326	1-112-071-11	ELECT CHIP	220uF	20%	6.3V								
C2327	1-107-826-11	CERAMIC CHIP	0.1uF	10%	16V								
C2328	1-107-826-11	CERAMIC CHIP	0.1uF	10%	16V								
C2329	1-100-153-91	CERAMIC CHIP	220PF	5%	100V								
C2330	1-112-071-11	ELECT CHIP	220uF	20%	6.3V								
C2331	1-107-826-11	CERAMIC CHIP	0.1uF	10%	16V								
C2338	1-114-571-91	ELECT	470uF	20%	10V								
						(AEP, ECE, UK)							
C2342	1-112-071-11	ELECT CHIP	220uF	20%	6.3V								
C2343	1-107-826-11	CERAMIC CHIP	0.1uF	10%	16V								
C2344	1-112-114-11	ELECT	22uF	20%	50V								
C2345	1-112-114-11	ELECT	22uF	20%	50V								
C2346	1-112-100-11	ELECT	10uF	20%	50V								
C2347	1-162-960-11	CERAMIC CHIP	220PF	10%	50V								
C2348	1-162-970-11	CERAMIC CHIP	0.01uF	10%	25V								
C2349	1-162-970-11	CERAMIC CHIP	0.01uF	10%	25V								
C2350	1-162-970-11	CERAMIC CHIP	0.01uF	10%	25V								
C2351	1-162-970-11	CERAMIC CHIP	0.01uF	10%	25V								
C2352	1-162-970-11	CERAMIC CHIP	0.01uF	10%	25V								
C2353	1-162-970-11	CERAMIC CHIP	0.01uF	10%	25V								
C2354	1-162-970-11	CERAMIC CHIP	0.01uF	10%	25V								
C2355	1-162-970-11	CERAMIC CHIP	0.01uF	10%	25V								
		< CONNECTOR >											
CN2202	1-770-410-11	CONNECTOR, BOARD TO BOARD	18P										
CN2204	1-691-775-11	PLUG (MICRO CONNECTOR)	13P										
CN2205	1-770-411-11	CONNECTOR, BOARD TO BOARD	20P										
CN2206	1-785-910-21	CONNECTOR, BOARD TO BOARD	50P										
CN2207	1-784-930-11	PIN, CONNECTOR	15P										
		< DIODE >											
D2201	6-501-193-01	DIODE	1SS355WTE-17										
		< FERRITE BEAD >											
FB2001	1-414-234-22	INDUCTOR, FERRITE BEAD (AEP, ECE, UK)											
FB2002	1-414-234-22	INDUCTOR, FERRITE BEAD (AEP, ECE, UK)											
FB2003	1-469-152-11	FERRITE, EMI (SMD) (2012) (AEP, ECE, UK)											
FB2004	1-469-139-21	FERRITE, EMI (SMD) (2012) (AEP, ECE, UK)											
FB2005	1-469-139-21	FERRITE, EMI (SMD) (2012) (AEP, ECE, UK)											
FB2006	1-469-139-21	FERRITE, EMI (SMD) (2012) (AEP, ECE, UK)											
FB2007	1-469-152-11	FERRITE, EMI (SMD) (2012) (AEP, ECE, UK)											
FB2201	1-469-152-11	FERRITE, EMI (SMD) (2012)											
FB2202	1-469-152-11	FERRITE, EMI (SMD) (2012)											
FB2203	1-469-139-21	FERRITE, EMI (SMD) (2012)											
FB2204	1-469-139-21	FERRITE, EMI (SMD) (2012)											
FB2205	1-469-152-11	FERRITE, EMI (SMD) (2012)											
FB2206	1-469-139-21	FERRITE, EMI (SMD) (2012)											
FB2207	1-469-152-11	FERRITE, EMI (SMD) (2012)											
FB2208	1-469-152-11	FERRITE, EMI (SMD) (2012)											
FB2209	1-469-152-11	FERRITE, EMI (SMD) (2012)											
FB2210	1-469-152-11	FERRITE, EMI (SMD) (2012)											
FB2211	1-469-152-11	FERRITE, EMI (SMD) (2012)											
FB2212	1-469-152-11	FERRITE, EMI (SMD) (2012)											
FB2213	1-469-152-11	FERRITE, EMI (SMD) (2012)											
FB2214	1-469-152-11	FERRITE, EMI (SMD) (2012)											
FB2215	1-469-152-11	FERRITE, EMI (SMD) (2012)											
FB2216	1-469-152-11	FERRITE, EMI (SMD) (2012)											
FB2217	1-469-152-11	FERRITE, EMI (SMD) (2012)											
FB2218	1-469-139-21	FERRITE, EMI (SMD) (2012)											
FB2219	1-469-152-11	FERRITE, EMI (SMD) (2012)											
		< IC >											
IC2001	6-711-132-01	IC	MM3291CNRE (AEP, ECE, UK)										
IC2002	6-711-360-01	IC	M12L16161A-7TG (AEP, ECE, UK)										
IC2003	6-712-758-01	IC	EP2C5T144C8N (AEP, ECE, UK)										
IC2004	6-808-108-01	IC	EPCS1S18N-08HATS (AEP, ECE, UK)										
IC2005	8-759-546-74	IC	TC7WH157FU (TE12R) (AEP, ECE, UK)										
IC2006	8-759-096-87	IC	TC7WU04FU (TE12R) (AEP, ECE, UK)										
IC2201	6-600-466-01	IC	TORX147L (SONY) (DIGITAL ASSIGNABLE (INPUT ONLY) OPTICAL VIDEO 1 IN)										
IC2202	6-600-466-01	IC	TORX147L (SONY) (DIGITAL ASSIGNABLE (INPUT ONLY) OPTICAL SAT IN)										
IC2203	6-600-466-01	IC	TORX147L (SONY) (DIGITAL ASSIGNABLE (INPUT ONLY) OPTICAL TAPE IN)										
IC2204	6-600-466-01	IC	TORX147L (SONY) (DIGITAL ASSIGNABLE (INPUT ONLY) OPTICAL MD IN)										
IC2205	6-600-461-11	IC	TOTX147L (R) (DIGITAL ASSIGNABLE (INPUT ONLY) OPTICAL MD OUT)										
IC2206	6-706-487-01	IC	TC7SH08FU (T5RSOYJF)										
IC2207	6-700-595-01	IC	TC74ACT151F (EL)										
IC2208	6-708-025-01	IC	LC89057W-VF4A-E										
IC2209	8-759-530-30	IC	TC74VHC004FT (EL)										
IC2210	8-759-529-76	IC	TC74VHC595FT (EL)										
IC2211	8-759-524-48	IC	TC74VHC393FT (EL)										
IC2212	6-707-870-01	IC	TC74VHC157FT (EKJ)										
IC2213	6-707-870-01	IC	TC74VHC157FT (EKJ)										
IC2214	6-707-870-01	IC	TC74VHC157FT (EKJ)										
IC2215	6-705-312-01	IC	S-T111B33MC-OGSTFG										
IC2216	6-706-487-01	IC	TC7SH08FU (T5RSOYJF)										
IC2217	6-709-033-01	IC	WM8782SEDS/R										
IC2218	6-712-740-01	IC	PCM1681PWPR										
IC2219	8-759-710-97	IC	NJM4565M-D										
IC2220	8-759-710-97	IC	NJM4565M-D										
IC2221	8-759-710-97	IC	NJM4565M-D										
IC2222	8-759-710-97	IC	NJM4565M-D										
IC2223	6-711-059-01	IC	SM5921AF-G										
IC2224	6-711-360-01	IC	M12L16161A-7TG										
IC2225	6-600-466-01	IC	TORX147L (SONY) (DIGITAL ASSIGNABLE (INPUT ONLY) TV OPTICAL IN)										
IC2226	6-808-118-01	IC	CS2300002-CZZR										
IC2227	8-759-058-64	IC	TC7S32FU (TE85R)										
IC2228	6-707-870-01	IC	TC74VHC157FT (EKJ)										
		< JACK >											
J2201	1-821-163-11	JACK, PIN 3P (DIGITAL ASSIGNABLE (INPUT ONLY) COAXIAL BD/DVD/SA-CD/CD IN)											
		< TRANSISTOR >											
Q2205	8-729-027-43	TRANSISTOR	DTC114EKA-T146										
Q2206	8-729-024-91	TRANSISTOR	2SC2712-GL-TE85L										
		< RESISTOR >											
R2001	1-216-809-11	METAL CHIP	100	5%	1/10W (AEP, ECE, UK)								
R2002	1-216-809-11	METAL CHIP	100	5%	1/10W (AEP, ECE, UK)								
R2003	1-216-821-11	METAL CHIP	1K	5%	1/10W (AEP, ECE, UK)								
R2004	1-216-833-11	METAL CHIP	10K	5%	1/10W (AEP, ECE, UK)								
R2005	1-216-797-11	METAL CHIP	10	5%	1/10W (AEP, ECE, UK)								

Ref. No.	Part No.	Description	Remark	Ref. No.	Part No.	Description	Remark
R2006	1-216-833-11	METAL CHIP	10K 5% 1/10W (AEP, ECE, UK)	R2041	1-216-833-11	METAL CHIP	10K 5% 1/10W (AEP, ECE, UK)
R2007	1-216-833-11	METAL CHIP	10K 5% 1/10W (AEP, ECE, UK)	R2042	1-216-809-11	METAL CHIP	100 5% 1/10W (AEP, ECE, UK)
R2008	1-216-833-11	METAL CHIP	10K 5% 1/10W (AEP, ECE, UK)	R2043	1-216-833-11	METAL CHIP	10K 5% 1/10W (AEP, ECE, UK)
R2009	1-216-821-11	METAL CHIP	1K 5% 1/10W (AEP, ECE, UK)	R2045	1-216-797-11	METAL CHIP	10 5% 1/10W (AEP, ECE, UK)
R2010	1-216-797-11	METAL CHIP	10 5% 1/10W (AEP, ECE, UK)	R2046	1-216-797-11	METAL CHIP	10 5% 1/10W (AEP, ECE, UK)
R2011	1-216-833-11	METAL CHIP	10K 5% 1/10W (AEP, ECE, UK)	R2047	1-216-864-11	SHORT CHIP	0 (AEP, ECE, UK)
R2012	1-216-833-11	METAL CHIP	10K 5% 1/10W (AEP, ECE, UK)	R2048	1-216-864-11	SHORT CHIP	0 (AEP, ECE, UK)
R2013	1-216-833-11	METAL CHIP	10K 5% 1/10W (AEP, ECE, UK)	R2049	1-216-864-11	SHORT CHIP	0 (AEP, ECE, UK)
R2014	1-216-833-11	METAL CHIP	10K 5% 1/10W (AEP, ECE, UK)	R2050	1-216-864-11	SHORT CHIP	0 (AEP, ECE, UK)
R2015	1-216-833-11	METAL CHIP	10K 5% 1/10W (AEP, ECE, UK)	R2051	1-216-864-11	SHORT CHIP	0 (AEP, ECE, UK)
R2016	1-216-833-11	METAL CHIP	10K 5% 1/10W (AEP, ECE, UK)	R2052	1-216-864-11	SHORT CHIP	0 (AEP, ECE, UK)
R2017	1-216-833-11	METAL CHIP	10K 5% 1/10W (AEP, ECE, UK)	R2053	1-216-864-11	SHORT CHIP	0 (AEP, ECE, UK)
R2018	1-216-833-11	METAL CHIP	10K 5% 1/10W (AEP, ECE, UK)	R2054	1-216-864-11	SHORT CHIP	0 (AEP, ECE, UK)
R2020	1-216-833-11	METAL CHIP	10K 5% 1/10W (AEP, ECE, UK)	R2055	1-216-864-11	SHORT CHIP	0 (AEP, ECE, UK)
R2022	1-216-833-11	METAL CHIP	10K 5% 1/10W (AEP, ECE, UK)	R2056	1-216-864-11	SHORT CHIP	0 (AEP, ECE, UK)
R2024	1-216-833-11	METAL CHIP	10K 5% 1/10W (AEP, ECE, UK)	R2057	1-216-797-11	METAL CHIP	10 5% 1/10W (AEP, ECE, UK)
R2025	1-216-833-11	METAL CHIP	10K 5% 1/10W (AEP, ECE, UK)	R2058	1-216-797-11	METAL CHIP	10 5% 1/10W (AEP, ECE, UK)
R2026	1-216-809-11	METAL CHIP	100 5% 1/10W (AEP, ECE, UK)	R2059	1-216-797-11	METAL CHIP	10 5% 1/10W (AEP, ECE, UK)
R2027	1-216-809-11	METAL CHIP	100 5% 1/10W (AEP, ECE, UK)	R2060	1-216-864-11	SHORT CHIP	0 (AEP, ECE, UK)
R2028	1-216-809-11	METAL CHIP	100 5% 1/10W (AEP, ECE, UK)	R2061	1-216-857-11	METAL CHIP	1M 5% 1/10W (AEP, ECE, UK)
R2029	1-216-833-11	METAL CHIP	10K 5% 1/10W (AEP, ECE, UK)	R2062	1-216-797-11	METAL CHIP	10 5% 1/10W (AEP, ECE, UK)
R2030	1-216-833-11	METAL CHIP	10K 5% 1/10W (AEP, ECE, UK)	R2063	1-216-864-11	SHORT CHIP	0 (US, CND)
R2031	1-216-821-11	METAL CHIP	1K 5% 1/10W (AEP, ECE, UK)	R2201	1-216-821-11	METAL CHIP	1K 5% 1/10W
R2032	1-216-805-11	METAL CHIP	47 5% 1/10W (AEP, ECE, UK)	R2202	1-216-833-11	METAL CHIP	10K 5% 1/10W
R2033	1-216-805-11	METAL CHIP	47 5% 1/10W (AEP, ECE, UK)	R2203	1-208-755-11	METAL CHIP	75 0.5% 1/10W
R2034	1-216-815-11	METAL CHIP	330 5% 1/10W (AEP, ECE, UK)	R2204	1-208-755-11	METAL CHIP	75 0.5% 1/10W
R2035	1-216-805-11	METAL CHIP	47 5% 1/10W (AEP, ECE, UK)	R2205	1-208-755-11	METAL CHIP	75 0.5% 1/10W
R2036	1-216-821-11	METAL CHIP	1K 5% 1/10W (AEP, ECE, UK)	R2206	1-216-809-11	METAL CHIP	100 5% 1/10W
R2037	1-216-821-11	METAL CHIP	1K 5% 1/10W (AEP, ECE, UK)	R2207	1-216-809-11	METAL CHIP	100 5% 1/10W
R2038	1-216-833-11	METAL CHIP	10K 5% 1/10W (AEP, ECE, UK)	R2208	1-216-809-11	METAL CHIP	100 5% 1/10W
R2039	1-216-833-11	METAL CHIP	10K 5% 1/10W (AEP, ECE, UK)	R2209	1-216-809-11	METAL CHIP	100 5% 1/10W
R2040	1-216-833-11	METAL CHIP	10K 5% 1/10W (AEP, ECE, UK)	R2210	1-216-809-11	METAL CHIP	100 5% 1/10W
				R2211	1-216-809-11	METAL CHIP	100 5% 1/10W
				R2212	1-216-809-11	METAL CHIP	100 5% 1/10W
				R2213	1-216-833-11	METAL CHIP	10K 5% 1/10W
				R2214	1-208-774-11	METAL CHIP	470 0.5% 1/10W
				R2215	1-208-774-11	METAL CHIP	470 0.5% 1/10W
				R2216	1-208-774-11	METAL CHIP	470 0.5% 1/10W
				R2217	1-218-760-11	METAL CHIP	220K 0.5% 1/10W
				R2218	1-218-760-11	METAL CHIP	220K 0.5% 1/10W
				R2219	1-218-760-11	METAL CHIP	220K 0.5% 1/10W
				R2220	1-216-809-11	METAL CHIP	100 5% 1/10W
				R2221	1-208-462-41	RES-CHIP	10K 2% 1/10W
				R2222	1-208-462-41	RES-CHIP	10K 2% 1/10W
				R2223	1-208-462-41	RES-CHIP	10K 2% 1/10W
				R2224	1-216-809-11	METAL CHIP	100 5% 1/10W
				R2225	1-216-833-11	METAL CHIP	10K 5% 1/10W
				R2226	1-216-833-11	METAL CHIP	10K 5% 1/10W
				R2227	1-216-809-11	METAL CHIP	100 5% 1/10W
				R2228	1-216-809-11	METAL CHIP	100 5% 1/10W
				R2229	1-216-833-11	METAL CHIP	10K 5% 1/10W
				R2230	1-216-809-11	METAL CHIP	100 5% 1/10W

STR-DA5400ES

DIGITAL

Ref. No.	Part No.	Description			Remark	Ref. No.	Part No.	Description			Remark
R2231	1-216-833-11	METAL CHIP	10K	5%	1/10W	R2299	1-216-845-11	METAL CHIP	100K	5%	1/10W
R2232	1-216-833-11	METAL CHIP	10K	5%	1/10W	R2300	1-216-815-11	METAL CHIP	330	5%	1/10W
R2233	1-216-857-11	METAL CHIP	1M	5%	1/10W	R2301	1-216-832-11	METAL CHIP	8.2K	5%	1/10W
R2234	1-216-809-11	METAL CHIP	100	5%	1/10W	R2302	1-216-821-11	METAL CHIP	1K	5%	1/10W
R2235	1-216-813-11	METAL CHIP	220	5%	1/10W	R2303	1-216-833-11	METAL CHIP	10K	5%	1/10W
R2237	1-216-864-11	SHORT CHIP	0			R2304	1-216-835-11	METAL CHIP	15K	5%	1/10W
R2238	1-216-815-11	METAL CHIP	330	5%	1/10W	R2305	1-216-809-11	METAL CHIP	100	5%	1/10W
R2239	1-216-864-11	SHORT CHIP	0			R2306	1-216-833-11	METAL CHIP	10K	5%	1/10W
R2240	1-216-805-11	METAL CHIP	47	5%	1/10W	R2307	1-216-835-11	METAL CHIP	15K	5%	1/10W
R2241	1-216-809-11	METAL CHIP	100	5%	1/10W	R2308	1-216-809-11	METAL CHIP	100	5%	1/10W
R2242	1-216-805-11	METAL CHIP	47	5%	1/10W	R2309	1-216-821-11	METAL CHIP	1K	5%	1/10W
R2243	1-216-635-11	METAL CHIP	220	0.5%	1/10W	R2310	1-216-833-11	METAL CHIP	10K	5%	1/10W
R2246	1-216-815-11	METAL CHIP	330	5%	1/10W	R2311	1-216-833-11	METAL CHIP	10K	5%	1/10W
R2248	1-216-821-11	METAL CHIP	1K	5%	1/10W	R2312	1-216-832-11	METAL CHIP	8.2K	5%	1/10W
R2249	1-216-821-11	METAL CHIP	1K	5%	1/10W	R2313	1-216-845-11	METAL CHIP	100K	5%	1/10W
R2250	1-216-833-11	METAL CHIP	10K	5%	1/10W	R2314	1-216-845-11	METAL CHIP	100K	5%	1/10W
R2251	1-216-809-11	METAL CHIP	100	5%	1/10W	R2315	1-216-832-11	METAL CHIP	8.2K	5%	1/10W
R2252	1-216-809-11	METAL CHIP	100	5%	1/10W	R2316	1-216-821-11	METAL CHIP	1K	5%	1/10W
R2256	1-216-809-11	METAL CHIP	100	5%	1/10W	R2317	1-216-835-11	METAL CHIP	15K	5%	1/10W
R2257	1-216-809-11	METAL CHIP	100	5%	1/10W	R2318	1-216-809-11	METAL CHIP	100	5%	1/10W
R2258	1-216-809-11	METAL CHIP	100	5%	1/10W	R2319	1-216-835-11	METAL CHIP	15K	5%	1/10W
R2259	1-216-805-11	METAL CHIP	47	5%	1/10W	R2320	1-216-809-11	METAL CHIP	100	5%	1/10W
R2260	1-216-805-11	METAL CHIP	47	5%	1/10W	R2321	1-216-821-11	METAL CHIP	1K	5%	1/10W
R2261	1-216-805-11	METAL CHIP	47	5%	1/10W	R2322	1-216-832-11	METAL CHIP	8.2K	5%	1/10W
R2262	1-216-805-11	METAL CHIP	47	5%	1/10W	R2323	1-216-845-11	METAL CHIP	100K	5%	1/10W
R2263	1-216-833-11	METAL CHIP	10K	5%	1/10W	R2324	1-216-845-11	METAL CHIP	100K	5%	1/10W
R2265	1-216-815-11	METAL CHIP	330	5%	1/10W	R2325	1-216-832-11	METAL CHIP	8.2K	5%	1/10W
R2266	1-216-809-11	METAL CHIP	100	5%	1/10W	R2326	1-216-821-11	METAL CHIP	1K	5%	1/10W
R2267	1-216-809-11	METAL CHIP	100	5%	1/10W	R2327	1-216-835-11	METAL CHIP	15K	5%	1/10W
R2268	1-216-813-11	METAL CHIP	220	5%	1/10W	R2328	1-216-809-11	METAL CHIP	100	5%	1/10W
R2269	1-216-809-11	METAL CHIP	100	5%	1/10W	R2329	1-216-809-11	METAL CHIP	100	5%	1/10W
R2270	1-216-805-11	METAL CHIP	47	5%	1/10W	R2330	1-216-809-11	METAL CHIP	100	5%	1/10W
R2271	1-216-805-11	METAL CHIP	47	5%	1/10W	R2331	1-216-809-11	METAL CHIP	100	5%	1/10W
R2272	1-216-805-11	METAL CHIP	47	5%	1/10W	R2332	1-216-809-11	METAL CHIP	100	5%	1/10W
R2273	1-216-805-11	METAL CHIP	47	5%	1/10W	R2333	1-216-809-11	METAL CHIP	100	5%	1/10W
R2274	1-216-805-11	METAL CHIP	47	5%	1/10W	R2334	1-216-805-11	METAL CHIP	47	5%	1/10W
R2275	1-216-797-11	METAL CHIP	10	5%	1/10W	R2335	1-216-805-11	METAL CHIP	47	5%	1/10W
R2276	1-216-809-11	METAL CHIP	100	5%	1/10W	R2336	1-216-835-11	METAL CHIP	15K	5%	1/10W
R2277	1-216-805-11	METAL CHIP	47	5%	1/10W	R2337	1-216-821-11	METAL CHIP	1K	5%	1/10W
R2278	1-216-805-11	METAL CHIP	47	5%	1/10W	R2338	1-216-832-11	METAL CHIP	8.2K	5%	1/10W
R2279	1-216-797-11	METAL CHIP	10	5%	1/10W	R2339	1-216-809-11	METAL CHIP	100	5%	1/10W
R2280	1-216-809-11	METAL CHIP	100	5%	1/10W	R2340	1-216-809-11	METAL CHIP	100	5%	1/10W
R2281	1-216-809-11	METAL CHIP	100	5%	1/10W	R2341	1-216-833-11	METAL CHIP	10K	5%	1/10W
R2282	1-216-809-11	METAL CHIP	100	5%	1/10W	R2342	1-216-845-11	METAL CHIP	100K	5%	1/10W
R2283	1-216-809-11	METAL CHIP	100	5%	1/10W	R2343	1-216-821-11	METAL CHIP	1K	5%	1/10W
R2284	1-216-809-11	METAL CHIP	100	5%	1/10W	R2344	1-216-845-11	METAL CHIP	100K	5%	1/10W
R2285	1-216-805-11	METAL CHIP	47	5%	1/10W	R2345	1-216-809-11	METAL CHIP	100	5%	1/10W
R2286	1-216-809-11	METAL CHIP	100	5%	1/10W	R2346	1-216-809-11	METAL CHIP	100	5%	1/10W
R2287	1-216-833-11	METAL CHIP	10K	5%	1/10W	R2347	1-216-832-11	METAL CHIP	8.2K	5%	1/10W
R2288	1-216-809-11	METAL CHIP	100	5%	1/10W	R2348	1-216-809-11	METAL CHIP	100	5%	1/10W
R2289	1-216-833-11	METAL CHIP	10K	5%	1/10W	R2349	1-216-821-11	METAL CHIP	1K	5%	1/10W
R2290	1-216-805-11	METAL CHIP	47	5%	1/10W	R2350	1-216-809-11	METAL CHIP	100	5%	1/10W
R2291	1-216-833-11	METAL CHIP	10K	5%	1/10W	R2351	1-216-809-11	METAL CHIP	100	5%	1/10W
R2292	1-216-864-11	SHORT CHIP	0			R2352	1-216-809-11	METAL CHIP	100	5%	1/10W
R2293	1-216-835-11	METAL CHIP	15K	5%	1/10W	R2353	1-216-809-11	METAL CHIP	100	5%	1/10W
R2294	1-216-809-11	METAL CHIP	100	5%	1/10W	R2354	1-216-835-11	METAL CHIP	15K	5%	1/10W
R2295	1-216-821-11	METAL CHIP	1K	5%	1/10W	R2355	1-216-809-11	METAL CHIP	100	5%	1/10W
R2296	1-216-832-11	METAL CHIP	8.2K	5%	1/10W	R2356	1-216-809-11	METAL CHIP	100	5%	1/10W
R2297	1-216-813-11	METAL CHIP	220	5%	1/10W	R2357	1-216-809-11	METAL CHIP	100	5%	1/10W
R2298	1-216-845-11	METAL CHIP	100K	5%	1/10W	R2358	1-216-805-11	METAL CHIP	47	5%	1/10W

DIGITAL

DISPLAY

Ref. No.	Part No.	Description	Remark	Ref. No.	Part No.	Description	Remark
R2359	1-216-805-11	METAL CHIP	47 5%	1/10W		< VIBRATOR >	
R2360	1-216-809-11	METAL CHIP	100 5%	1/10W	X2001	1-767-286-11	VIBRATOR, CRYSTAL (22.5792MHz) (AEP, ECE, UK)
R2361	1-216-809-11	METAL CHIP	100 5%	1/10W	X2201	1-795-219-21	VIBRATOR, CRYSTAL (24.576MHz)
R2362	1-216-809-11	METAL CHIP	100 5%	1/10W	*****		
R2363	1-216-809-11	METAL CHIP	100 5%	1/10W		A-1538-084-A	DISPLAY BOARD, COMPLETE *****
R2364	1-216-809-11	METAL CHIP	100 5%	1/10W		2-389-320-01	CUSHION
R2365	1-216-809-11	METAL CHIP	100 5%	1/10W		< CAPACITOR >	
R2366	1-216-809-11	METAL CHIP	100 5%	1/10W	C701	1-104-957-11	ELECT 47uF 20% 25V
R2367	1-216-809-11	METAL CHIP	100 5%	1/10W	C704	1-163-251-11	CERAMIC CHIP 100PF 5% 50V
R2368	1-216-833-11	METAL CHIP	10K 5%	1/10W	C706	1-104-957-11	ELECT 47uF 20% 25V
R2369	1-216-833-11	METAL CHIP	10K 5%	1/10W	C707	1-165-319-11	CERAMIC CHIP 0.1uF 50V
R2370	1-216-833-11	METAL CHIP	10K 5%	1/10W	C708	1-126-795-11	ELECT 10uF 20% 50V
R2371	1-216-809-11	METAL CHIP	100 5%	1/10W	C712	1-165-733-31	ELECT 100uF 20% 25V
R2372	1-216-809-11	METAL CHIP	100 5%	1/10W	C713	1-107-378-11	MYLAR 0.0039uF 5% 200V
R2373	1-216-809-11	METAL CHIP	100 5%	1/10W	C714	1-165-319-11	CERAMIC CHIP 0.1uF 50V
R2374	1-216-809-11	METAL CHIP	100 5%	1/10W	C715	1-137-807-31	ELECT 100uF 20% 50V
R2375	1-216-833-11	METAL CHIP	10K 5%	1/10W	C716	1-165-319-11	CERAMIC CHIP 0.1uF 50V
R2376	1-216-833-11	METAL CHIP	10K 5%	1/10W	C718	1-104-957-11	ELECT 47uF 20% 25V
R2377	1-216-833-11	METAL CHIP	10K 5%	1/10W	C719	1-100-566-91	CERAMIC CHIP 0.1uF 10% 25V
R2378	1-216-809-11	METAL CHIP	100 5%	1/10W	C721	1-100-566-91	CERAMIC CHIP 0.1uF 10% 25V
R2379	1-216-833-11	METAL CHIP	10K 5%	1/10W	C722	1-126-795-11	ELECT 10uF 20% 50V
R2380	1-216-833-11	METAL CHIP	10K 5%	1/10W	C723	1-126-795-11	ELECT 10uF 20% 50V
R2384	1-216-827-11	METAL CHIP	3.3K 5%	1/10W	C724	1-104-957-11	ELECT 47uF 20% 25V
R2385	1-216-833-11	METAL CHIP	10K 5%	1/10W	C725	1-104-957-11	ELECT 47uF 20% 25V
R2386	1-216-833-11	METAL CHIP	10K 5%	1/10W	C726	1-104-957-11	ELECT 47uF 20% 25V
R2387	1-216-809-11	METAL CHIP	100 5%	1/10W	C727	1-162-966-11	CERAMIC CHIP 0.0022uF 10% 50V
R2391	1-216-827-11	METAL CHIP	3.3K 5%	1/10W	C728	1-162-966-11	CERAMIC CHIP 0.0022uF 10% 50V
R2392	1-216-833-11	METAL CHIP	10K 5%	1/10W	C729	1-126-795-11	ELECT 10uF 20% 50V
R2395	1-216-864-11	SHORT CHIP	0		C730	1-126-795-11	ELECT 10uF 20% 50V
R2396	1-216-864-11	SHORT CHIP	0		C731	1-126-795-11	ELECT 10uF 20% 50V
R2399	1-216-864-11	SHORT CHIP	0 (US, CND)		C732	1-126-795-11	ELECT 10uF 20% 50V
R2400	1-216-864-11	SHORT CHIP	0 (US, CND)		C733	1-107-925-11	ELECT 1uF 20% 100V
R2401	1-216-864-11	SHORT CHIP	0 (US, CND)		C734	1-104-957-11	ELECT 47uF 20% 25V
R2402	1-216-864-11	SHORT CHIP	0 (US, CND)		C735	1-100-566-91	CERAMIC CHIP 0.1uF 10% 25V
R2403	1-216-864-11	SHORT CHIP	0 (US, CND)		C737	1-126-795-11	ELECT 10uF 20% 50V
R2404	1-216-864-11	SHORT CHIP	0 (US, CND)		C739	1-126-795-11	ELECT 10uF 20% 50V
R2405	1-216-864-11	SHORT CHIP	0 (US, CND)		C740	1-126-795-11	ELECT 10uF 20% 50V
R2406	1-216-827-11	METAL CHIP	3.3K 5%	1/10W	C741	1-126-795-11	ELECT 10uF 20% 50V
R2407	1-216-864-11	SHORT CHIP	0		C742	1-162-966-11	CERAMIC CHIP 0.0022uF 10% 50V
R2408	1-216-864-11	SHORT CHIP	0		C743	1-162-966-11	CERAMIC CHIP 0.0022uF 10% 50V
R2409	1-216-864-11	SHORT CHIP	0		C745	1-126-795-11	ELECT 10uF 20% 50V
R2413	1-216-864-11	SHORT CHIP	0		C746	1-107-826-11	CERAMIC CHIP 0.1uF 10% 16V
R2414	1-216-864-11	SHORT CHIP	0		C747	1-162-927-11	CERAMIC CHIP 100PF 5% 50V
R2415	1-216-864-11	SHORT CHIP	0		C748	1-162-927-11	CERAMIC CHIP 100PF 5% 50V
R2416	1-216-813-11	METAL CHIP	220 5%	1/10W	C749	1-162-966-11	CERAMIC CHIP 0.0022uF 10% 50V
R2417	1-216-833-11	METAL CHIP	10K 5%	1/10W	C750	1-162-966-11	CERAMIC CHIP 0.0022uF 10% 50V
R2418	1-216-833-11	METAL CHIP	10K 5%	1/10W	C751	1-165-319-11	CERAMIC CHIP 0.1uF 50V
R2419	1-216-809-11	METAL CHIP	100 5%	1/10W	C754	1-100-566-91	CERAMIC CHIP 0.1uF 10% 25V
R2420	1-216-809-11	METAL CHIP	100 5%	1/10W	< CONNECTOR >		
< COMPOSITION CIRCUIT BLOCK >							
RB2001	1-233-576-11	RES, CHIP NETWORK 100 (3216) (AEP, ECE, UK)			CN701	1-784-928-11	PIN, CONNECTOR 13P
RB2002	1-233-576-11	RES, CHIP NETWORK 100 (3216) (AEP, ECE, UK)			CN702	1-779-799-11	PIN, CONNECTOR 9P
RB2003	1-233-576-11	RES, CHIP NETWORK 100 (3216) (AEP, ECE, UK)			* CN704	1-564-720-11	PIN, CONNECTOR (SMALL TYPE) 4P
RB2004	1-233-576-11	RES, CHIP NETWORK 100 (3216) (AEP, ECE, UK)			* CN706	1-564-724-11	PIN, CONNECTOR (SMALL TYPE) 8P
RB2005	1-233-576-11	RES, CHIP NETWORK 100 (3216) (AEP, ECE, UK)			CN710	1-784-930-11	PIN, CONNECTOR 15P
RB2006	1-233-576-11	RES, CHIP NETWORK 100 (3216) (AEP, ECE, UK)					
RB2007	1-233-576-11	RES, CHIP NETWORK 100 (3216) (AEP, ECE, UK)					
RB2008	1-233-576-11	RES, CHIP NETWORK 100 (3216) (AEP, ECE, UK)					
RB2009	1-239-409-11	RES, CHIP NETWORK 47 (3216) (AEP, ECE, UK)					

STR-DA5400ES

DISPLAY

Ref. No.	Part No.	Description	Remark	Ref. No.	Part No.	Description	Remark
		< DIODE >		R716	1-216-025-11	METAL CHIP 100 5%	1/10W
				R717	1-216-025-11	METAL CHIP 100 5%	1/10W
D701	8-719-056-11	LED SML72423C-TP15 (ON/STANDBY)		R718	1-216-025-11	METAL CHIP 100 5%	1/10W
D702	8-719-075-59	LED SELS5B23C-TP15 (Digital Cinema Sound)		R719	1-216-037-00	METAL CHIP 330 5%	1/10W
D703	6-502-413-01	LED SELT5E23C-S TP15 (MULTI CHANNEL DECODING)		R720	1-216-025-11	METAL CHIP 100 5%	1/10W
D704	6-501-818-01	DIODE MA2J1130GLS0		R721	1-216-029-00	METAL CHIP 150 5%	1/10W
D705	6-501-818-01	DIODE MA2J1130GLS0		R723	1-216-057-00	METAL CHIP 2.2K 5%	1/10W
D706	6-501-818-01	DIODE MA2J1130GLS0		R724	1-216-049-11	METAL CHIP 1K 5%	1/10W
D707	6-501-818-01	DIODE MA2J1130GLS0		R725	1-216-081-00	METAL CHIP 22K 5%	1/10W
D708	6-501-743-01	DIODE MAZ8068GMLS0		R726	1-216-073-91	METAL CHIP 10K 5%	1/10W
D709	6-501-817-01	DIODE MA2J1110GLS0		R727	1-216-065-91	METAL CHIP 4.7K 5%	1/10W
D710	6-501-817-01	DIODE MA2J1110GLS0		R728	1-216-057-00	METAL CHIP 2.2K 5%	1/10W
		< FERRITE BEAD >		R729	1-216-057-00	METAL CHIP 2.2K 5%	1/10W
FB701	1-469-152-11	FERRITE, EMI (SMD) (2012)		R730	1-216-049-11	METAL CHIP 1K 5%	1/10W
FB702	1-469-152-11	FERRITE, EMI (SMD) (2012)		R731	1-216-067-00	METAL CHIP 5.6K 5%	1/10W
		< IC >		R733	1-216-049-11	METAL CHIP 1K 5%	1/10W
IC701	6-600-349-31	IC NJL24H400A		R734	1-216-083-00	METAL CHIP 27K 5%	1/10W
IC702	6-705-468-01	IC BA33BC0FP-E2		R735	1-216-049-11	METAL CHIP 1K 5%	1/10W
IC703	8-759-825-56	IC NJM2173AV (TE2)		R736	1-216-049-11	METAL CHIP 1K 5%	1/10W
		< JUMPER RESISTOR >		R737	1-216-833-11	METAL CHIP 10K 5%	1/10W
JW753	1-216-296-11	SHORT CHIP 0		R738	1-216-833-11	METAL CHIP 10K 5%	1/10W
		< COIL >		R740	1-216-833-11	METAL CHIP 10K 5%	1/10W
L701	1-421-967-11	COIL, CHOKE 100uH		R741	1-216-833-11	METAL CHIP 10K 5%	1/10W
		< FLUORESCENT INDICATOR TUBE >		R743	1-216-825-11	METAL CHIP 2.2K 5%	1/10W
ND701	1-483-011-11	VACUUM FLUORESCENT DISPLAYS		R744	1-216-821-11	METAL CHIP 1K 5%	1/10W
		< TRANSISTOR >		R745	1-216-849-11	METAL CHIP 220K 5%	1/10W
Q701	8-729-027-43	TRANSISTOR DTC114EKA-T146		R746	1-216-843-11	METAL CHIP 68K 5%	1/10W
Q702	8-729-027-43	TRANSISTOR DTC114EKA-T146		R748	1-216-825-11	METAL CHIP 2.2K 5%	1/10W
Q703	8-729-027-43	TRANSISTOR DTC114EKA-T146		R749	1-216-821-11	METAL CHIP 1K 5%	1/10W
Q704	8-729-027-43	TRANSISTOR DTC114EKA-T146		R750	1-216-849-11	METAL CHIP 220K 5%	1/10W
Q705	8-729-808-42	TRANSISTOR 2SD1624-T		R751	1-216-843-11	METAL CHIP 68K 5%	1/10W
Q706	8-729-808-42	TRANSISTOR 2SD1624-T		R752	1-216-825-11	METAL CHIP 2.2K 5%	1/10W
Q707	8-729-024-91	TRANSISTOR 2SC2712-GL-TE85L		R753	1-216-825-11	METAL CHIP 2.2K 5%	1/10W
Q708	8-729-024-91	TRANSISTOR 2SC2712-GL-TE85L		R754	1-216-821-11	METAL CHIP 1K 5%	1/10W
Q709	8-729-027-43	TRANSISTOR DTC114EKA-T146		R755	1-216-821-11	METAL CHIP 1K 5%	1/10W
Q710	8-729-024-91	TRANSISTOR 2SC2712-GL-TE85L		R757	1-216-025-11	METAL CHIP 100 5%	1/10W
Q711	8-729-216-22	TRANSISTOR 2SA1162-G		R758	1-216-041-00	METAL CHIP 470 5%	1/10W
		< RESISTOR >		R759	1-216-073-91	METAL CHIP 10K 5%	1/10W
R701	1-216-037-00	METAL CHIP 330 5%	1/10W	R772	1-216-057-00	METAL CHIP 2.2K 5%	1/10W
R703	1-216-295-91	SHORT CHIP 0				< SWITCH/ROTARY ENCODER >	
R705	1-216-295-91	SHORT CHIP 0		S701	1-771-349-21	SWITCH, KEYBOARD (MUSIC)	
R706	1-216-001-00	METAL CHIP 10 5%	1/10W	S702	1-771-349-21	SWITCH, KEYBOARD (MOVIE)	
△ R707	1-249-385-91	CARBON 2.2 5%	1/4W F	S703	1-771-349-21	SWITCH, KEYBOARD (A.F.D.)	
△ R708	1-249-385-91	CARBON 2.2 5%	1/4W F	S704	1-771-349-21	SWITCH, KEYBOARD (2CH/A.DIRECT)	
R709	1-216-025-11	METAL CHIP 100 5%	1/10W	S705	1-771-349-21	SWITCH, KEYBOARD (INPUT MODE)	
R710	1-216-025-11	METAL CHIP 100 5%	1/10W	S706	1-771-349-21	SWITCH, KEYBOARD (DISPLAY)	
R711	1-216-025-11	METAL CHIP 100 5%	1/10W	S707	1-771-349-21	SWITCH, KEYBOARD (DIMMER)	
R712	1-216-025-11	METAL CHIP 100 5%	1/10W	S708	1-771-349-21	SWITCH, KEYBOARD (MEMORY/ENTER)	
R713	1-216-025-11	METAL CHIP 100 5%	1/10W	S709	1-771-349-21	SWITCH, KEYBOARD (TUNING MODE)	
R714	1-216-025-11	METAL CHIP 100 5%	1/10W	S710	1-771-349-21	SWITCH, KEYBOARD (TONE MODE)	
R715	1-216-025-11	METAL CHIP 100 5%	1/10W	S711	1-771-349-21	SWITCH, KEYBOARD (ZONE SELECT)	
		< TRANSFORMER >		S712	1-771-349-21	SWITCH, KEYBOARD (ZONE POWER)	
				S713	1-418-400-11	ENCODER, ROTARY (TONE)	
				S714	1-418-400-11	ENCODER, ROTARY (TUNING)	
				S715	1-418-400-11	ENCODER, ROTARY (INPUT SELECTOR)	
						< TRANSFORMER >	
				T701	1-445-015-11	TRANSFORMER, DC-DC CONVERTER	

Ref. No.	Part No.	Description	Remark	Ref. No.	Part No.	Description	Remark
A-1538-091-A	A-1538-147-A	DMPORT BOARD, COMPLETE (US, CND) DMPORT BOARD, COMPLETE (AEP, ECE, UK) *****		C6814	1-107-826-11	CERAMIC CHIP 0.1uF	10% 16V (US, CND)
		< CAPACITOR >		C6815	1-107-826-11	CERAMIC CHIP 0.1uF	10% 16V (US, CND)
C6700	1-162-960-11	CERAMIC CHIP 220PF	10% 50V	C6816	1-162-908-11	CERAMIC CHIP 3PF	0.25PF 50V (US, CND)
C6701	1-126-193-11	ELECT CHIP 1uF	20% 50V	C6817	1-107-826-11	CERAMIC CHIP 0.1uF	10% 16V (US, CND)
C6702	1-126-193-11	ELECT CHIP 1uF	20% 50V	C6818	1-107-826-11	CERAMIC CHIP 0.1uF	10% 16V (US, CND)
C6703	1-126-193-11	ELECT CHIP 1uF	20% 50V				
C6704	1-126-193-11	ELECT CHIP 1uF	20% 50V	C6819	1-107-826-11	CERAMIC CHIP 0.1uF	10% 16V (US, CND)
C6705	1-165-884-11	CERAMIC CHIP 2.2uF	10% 6.3V	C6820	1-107-826-11	CERAMIC CHIP 0.1uF	10% 16V (US, CND)
C6706	1-128-994-21	ELECT CHIP 47uF	20% 10V	C6821	1-115-416-11	CERAMIC CHIP 0.001uF	5% 25V (US, CND)
C6707	1-162-927-11	CERAMIC CHIP 100PF	5% 50V	C6822	1-115-416-11	CERAMIC CHIP 0.001uF	5% 25V (US, CND)
C6708	1-162-927-11	CERAMIC CHIP 100PF	5% 50V	C6823	1-107-826-11	CERAMIC CHIP 0.1uF	10% 16V (US, CND)
C6709	1-162-927-11	CERAMIC CHIP 100PF	5% 50V				
C6710	1-162-927-11	CERAMIC CHIP 100PF	5% 50V	C6824	1-126-209-11	ELECT CHIP 100uF	20% 4V (US, CND)
C6711	1-128-994-21	ELECT CHIP 47uF	20% 10V	C6825	1-162-923-11	CERAMIC CHIP 47PF	5% 50V (US, CND)
C6712	1-107-826-11	CERAMIC CHIP 0.1uF	10% 16V	C6826	1-107-826-11	CERAMIC CHIP 0.1uF	10% 16V (US, CND)
C6713	1-107-826-11	CERAMIC CHIP 0.1uF	10% 16V	C6827	1-162-923-11	CERAMIC CHIP 47PF	5% 50V (US, CND)
C6714	1-128-994-21	ELECT CHIP 47uF	20% 10V	C6828	1-107-826-11	CERAMIC CHIP 0.1uF	10% 16V (US, CND)
C6715	1-128-994-21	ELECT CHIP 47uF	20% 10V				
C6750	1-162-960-11	CERAMIC CHIP 220PF	10% 50V	C6829	1-162-923-11	CERAMIC CHIP 47PF	5% 50V (US, CND)
C6751	1-126-193-11	ELECT CHIP 1uF	20% 50V	C6830	1-162-923-11	CERAMIC CHIP 47PF	5% 50V (US, CND)
C6752	1-126-193-11	ELECT CHIP 1uF	20% 50V	C6831	1-128-993-21	ELECT CHIP 22uF	20% 10V (US, CND)
C6753	1-126-193-11	ELECT CHIP 1uF	20% 50V	C6832	1-107-826-11	CERAMIC CHIP 0.1uF	10% 16V (US, CND)
C6754	1-126-193-11	ELECT CHIP 1uF	20% 50V	C6833	1-107-826-11	CERAMIC CHIP 0.1uF	10% 16V (US, CND)
C6755	1-165-884-11	CERAMIC CHIP 2.2uF	10% 6.3V				
C6756	1-128-994-21	ELECT CHIP 47uF	20% 10V	C6834	1-128-994-21	ELECT CHIP 47uF	20% 10V (US, CND)
C6757	1-162-927-11	CERAMIC CHIP 100PF	5% 50V	C6835	1-107-826-11	CERAMIC CHIP 0.1uF	10% 16V (US, CND)
C6758	1-162-927-11	CERAMIC CHIP 100PF	5% 50V	C6836	1-128-994-21	ELECT CHIP 47uF	20% 10V (US, CND)
C6759	1-162-927-11	CERAMIC CHIP 100PF	5% 50V	C6837	1-124-779-00	ELECT CHIP 10uF	20% 16V (US, CND)
C6760	1-162-927-11	CERAMIC CHIP 100PF	5% 50V	C6838	1-124-779-00	ELECT CHIP 10uF	20% 16V (US, CND)
C6761	1-128-994-21	ELECT CHIP 47uF	20% 10V				
C6762	1-107-826-11	CERAMIC CHIP 0.1uF	10% 16V	C6839	1-124-779-00	ELECT CHIP 10uF	20% 16V (US, CND)
C6763	1-107-826-11	CERAMIC CHIP 0.1uF	10% 16V	C6840	1-162-960-11	CERAMIC CHIP 220PF	10% 50V (US, CND)
C6764	1-128-994-21	ELECT CHIP 47uF	20% 10V	C6841	1-162-969-11	CERAMIC CHIP 0.0068uF	10% 25V (US, CND)
C6765	1-128-994-21	ELECT CHIP 47uF	20% 10V	C6842	1-162-969-11	CERAMIC CHIP 0.0068uF	10% 25V (US, CND)
C6801	1-162-960-11	CERAMIC CHIP 220PF	10% 50V	C6843	1-107-826-11	CERAMIC CHIP 0.1uF	10% 16V (US, CND)
C6802	1-124-779-00	ELECT CHIP 10uF	20% 16V (US, CND)				
C6803	1-162-919-11	CERAMIC CHIP 22PF	5% 50V (US, CND)	C6844	1-115-412-11	CERAMIC CHIP 680PF	5% 25V (US, CND)
C6804	1-162-919-11	CERAMIC CHIP 22PF	5% 50V (US, CND)	C6845	1-115-412-11	CERAMIC CHIP 680PF	5% 25V (US, CND)
C6805	1-162-919-11	CERAMIC CHIP 22PF	5% 50V (US, CND)				
C6806	1-162-919-11	CERAMIC CHIP 22PF	5% 50V (US, CND)				
C6807	1-107-826-11	CERAMIC CHIP 0.1uF	10% 16V (US, CND)				
C6808	1-107-826-11	CERAMIC CHIP 0.1uF	10% 16V (US, CND)				
C6809	1-107-826-11	CERAMIC CHIP 0.1uF	10% 16V (US, CND)				
C6810	1-107-826-11	CERAMIC CHIP 0.1uF	10% 16V (US, CND)				
C6811	1-107-826-11	CERAMIC CHIP 0.1uF	10% 16V (US, CND)				
C6812	1-107-826-11	CERAMIC CHIP 0.1uF	10% 16V (US, CND)				
C6813	1-162-908-11	CERAMIC CHIP 3PF	0.25PF 50V (US, CND)				

STR-DA5400ES

DMPORT

Ref. No.	Part No.	Description	Remark	Ref. No.	Part No.	Description	Remark
C6846	1-107-826-11	CERAMIC CHIP 0.1uF 10%	16V (US, CND)	L6752	1-469-525-91	INDUCTOR 10uH	
C6847	1-107-826-11	CERAMIC CHIP 0.1uF 10%	16V (US, CND)			< TRANSISTOR >	
C6848	1-124-779-00	ELECT CHIP 10uF 20%	16V (US, CND)	Q6801	8-729-027-43	TRANSISTOR DTC114EKA-T146 (US, CND)	
C6849	1-107-826-11	CERAMIC CHIP 0.1uF 10%	16V (US, CND)	Q6802	8-729-027-23	TRANSISTOR DTA114EKA-T146 (US, CND)	
C6850	1-124-779-00	ELECT CHIP 10uF 20%	16V (US, CND)	Q6803	8-729-027-43	TRANSISTOR DTC114EKA-T146 (US, CND)	
C6851	1-162-970-11	CERAMIC CHIP 0.01uF 10%	25V (US, CND)	Q6804	6-550-044-01	TRANSISTOR 2SB1689-T106 (US, CND)	
C6852	1-162-970-11	CERAMIC CHIP 0.01uF 10%	25V (US, CND)			< RESISTOR >	
		< CONNECTOR >		R6701	1-216-864-11	SHORT CHIP 0	
CN6701	1-817-615-21	CONNECTOR, SQUARE TYPE (RECE)	(DMPORT 2)	R6703	1-216-829-11	METAL CHIP 4.7K 5%	1/10W
CN6702	1-770-411-11	CONNECTOR, BOARD TO BOARD 20P		R6709	1-218-879-11	METAL CHIP 22K 0.5%	1/10W
CN6703	1-770-411-11	CONNECTOR, BOARD TO BOARD 20P		R6710	1-218-879-11	METAL CHIP 22K 0.5%	1/10W
CN6751	1-817-615-21	CONNECTOR, SQUARE TYPE (RECE)	(DMPORT 1)	R6711	1-218-879-11	METAL CHIP 22K 0.5%	1/10W
CN6801	1-793-642-21	CONNECTOR (USB) (4P), SQUARE (XM)	(US, CND)	R6712	1-218-879-11	METAL CHIP 22K 0.5%	1/10W
		< DIODE >		R6713	1-216-837-11	METAL CHIP 22K 5%	1/10W
D6701	6-501-817-01	DIODE MA2J1110GLS0		R6714	1-216-837-11	METAL CHIP 22K 5%	1/10W
D6702	6-501-817-01	DIODE MA2J1110GLS0		R6715	1-216-837-11	METAL CHIP 22K 5%	1/10W
D6703	6-501-817-01	DIODE MA2J1110GLS0		R6716	1-216-837-11	METAL CHIP 22K 5%	1/10W
D6704	6-501-817-01	DIODE MA2J1110GLS0		R6717	1-216-805-11	METAL CHIP 47 5%	1/10W
D6751	6-501-817-01	DIODE MA2J1110GLS0		R6718	1-216-805-11	METAL CHIP 47 5%	1/10W
D6752	6-501-817-01	DIODE MA2J1110GLS0		R6719	1-216-805-11	METAL CHIP 47 5%	1/10W
D6801	6-501-817-01	DIODE MA2J1110GLS0		R6720	1-216-805-11	METAL CHIP 47 5%	1/10W
D6802	6-501-817-01	DIODE MA2J1110GLS0		R6721	1-216-805-11	METAL CHIP 47 5%	1/10W
D6803	8-719-083-02	DIODE KDS160-RTK (US, CND)		R6722	1-216-805-11	METAL CHIP 47 5%	1/10W
D6804	8-719-083-02	DIODE KDS160-RTK (US, CND)		R6723	1-216-805-11	METAL CHIP 47 5%	1/10W
D6805	6-500-462-01	DIODE NSAD500F-T1B (US, CND)		R6753	1-216-829-11	METAL CHIP 4.7K 5%	1/10W
		< EARTH TERMINAL >		R6759	1-218-879-11	METAL CHIP 22K 0.5%	1/10W
ET6701	1-780-318-11	TERMINAL		R6760	1-218-879-11	METAL CHIP 22K 0.5%	1/10W
ET6751	1-780-318-11	TERMINAL		R6761	1-218-879-11	METAL CHIP 22K 0.5%	1/10W
		< FERRITE BEAD >		R6762	1-218-879-11	METAL CHIP 22K 0.5%	1/10W
FB6802	1-469-152-11	FERRITE, EMI (SMD) (2012) (US, CND)		R6763	1-216-837-11	METAL CHIP 22K 5%	1/10W
FB6803	1-469-152-11	FERRITE, EMI (SMD) (2012) (US, CND)		R6764	1-216-837-11	METAL CHIP 22K 5%	1/10W
		< IC >		R6765	1-216-837-11	METAL CHIP 22K 5%	1/10W
IC6701	6-711-214-01	IC TK73350WTL-G		R6766	1-216-837-11	METAL CHIP 22K 5%	1/10W
IC6702	8-759-710-97	IC NJM4565M-D		R6801	1-216-833-11	METAL CHIP 10K 5%	1/10W (US, CND)
IC6751	6-711-214-01	IC TK73350WTL-G		R6802	1-216-864-11	SHORT CHIP 0 (US, CND)	
IC6752	8-759-710-97	IC NJM4565M-D		R6803	1-216-864-11	SHORT CHIP 0 (US, CND)	
IC6801	6-709-251-01	IC F2602E-01-TR (US, CND)		R6804	1-216-821-11	METAL CHIP 1K 5%	1/10W (US, CND)
IC6802	6-702-302-01	IC TK11133CSCL-G (US, CND)		R6805	1-216-809-11	METAL CHIP 100 5%	1/10W (US, CND)
IC6803	6-707-111-01	IC PCM1753DBQR (US, CND)		R6806	1-216-809-11	METAL CHIP 100 5%	1/10W (US, CND)
IC6804	6-706-740-01	IC BA00BC0WFP-E2 (US, CND)		R6807	1-216-821-11	METAL CHIP 1K 5%	1/10W (US, CND)
IC6805	6-705-337-01	IC TK11150CSCL-G (US, CND)		R6808	1-216-821-11	METAL CHIP 1K 5%	1/10W (US, CND)
IC6806	8-759-710-97	IC NJM4565M-D (US, CND)		R6809	1-216-821-11	METAL CHIP 1K 5%	1/10W (US, CND)
		< COIL >		R6810	1-216-809-11	METAL CHIP 100 5%	1/10W (US, CND)
L6701	1-469-525-91	INDUCTOR 10uH		R6811	1-216-829-11	METAL CHIP 4.7K 5%	1/10W (US, CND)
L6702	1-469-525-91	INDUCTOR 10uH		R6812	1-216-809-11	METAL CHIP 100 5%	1/10W (US, CND)
L6751	1-469-525-91	INDUCTOR 10uH		R6813	1-216-809-11	METAL CHIP 100 5%	1/10W (US, CND)
				R6814	1-216-833-11	METAL CHIP 10K 5%	1/10W (US, CND)

Ref. No.	Part No.	Description	Remark	Ref. No.	Part No.	Description	Remark
R6815	1-216-809-11	METAL CHIP	100 5%	1/10W (US, CND)	C5030	1-107-826-11	CERAMIC CHIP 0.1uF 10% 16V
R6816	1-216-833-11	METAL CHIP	10K 5%	1/10W (US, CND)	C5034	1-107-826-11	CERAMIC CHIP 0.1uF 10% 16V
R6817	1-218-867-11	METAL CHIP	6.8K 0.5%	1/10W (US, CND)	C5036	1-117-370-11	CERAMIC CHIP 10uF 10V
R6818	1-218-867-11	METAL CHIP	6.8K 0.5%	1/10W (US, CND)	C5040	1-107-826-11	CERAMIC CHIP 0.1uF 10% 16V
R6819	1-216-821-11	METAL CHIP	1K 5%	1/10W (US, CND)	C5041	1-107-826-11	CERAMIC CHIP 0.1uF 10% 16V
R6820	1-216-864-11	SHORT CHIP	0 (US, CND)		C5045	1-107-826-11	CERAMIC CHIP 0.1uF 10% 16V
R6821	1-216-841-11	METAL CHIP	47K 5%	1/10W (US, CND)	C5046	1-107-826-11	CERAMIC CHIP 0.1uF 10% 16V
R6822	1-216-833-11	METAL CHIP	10K 5%	1/10W (US, CND)	C5049	1-107-826-11	CERAMIC CHIP 0.1uF 10% 16V
R6823	1-216-845-11	METAL CHIP	100K 5%	1/10W (US, CND)	C5050	1-107-826-11	CERAMIC CHIP 0.1uF 10% 16V
R6824	1-216-845-11	METAL CHIP	100K 5%	1/10W (US, CND)	C5053	1-117-370-11	CERAMIC CHIP 10uF 10V
R6825	1-216-834-11	METAL CHIP	12K 5%	1/10W (US, CND)	C5061	1-107-826-11	CERAMIC CHIP 0.1uF 10% 16V
R6826	1-216-832-11	METAL CHIP	8.2K 5%	1/10W (US, CND)	C5062	1-107-826-11	CERAMIC CHIP 0.1uF 10% 16V
R6827	1-216-832-11	METAL CHIP	8.2K 5%	1/10W (US, CND)	C5063	1-107-826-11	CERAMIC CHIP 0.1uF 10% 16V
R6828	1-216-834-11	METAL CHIP	12K 5%	1/10W (US, CND)	C5069	1-117-370-11	CERAMIC CHIP 10uF 10V
R6829	1-216-819-11	METAL CHIP	680 5%	1/10W (US, CND)	C5071	1-107-826-11	CERAMIC CHIP 0.1uF 10% 16V
R6830	1-216-819-11	METAL CHIP	680 5%	1/10W (US, CND)	C5073	1-107-826-11	CERAMIC CHIP 0.1uF 10% 16V
R6843	1-216-864-11	SHORT CHIP	0 (US, CND)		C5074	1-107-826-11	CERAMIC CHIP 0.1uF 10% 16V
		< COMPOSITION CIRCUIT BLOCK >			C5077	1-107-826-11	CERAMIC CHIP 0.1uF 10% 16V
RB6801	1-234-378-21	RES, NETWORK 10K (1005X4) (US, CND)			C5078	1-107-826-11	CERAMIC CHIP 0.1uF 10% 16V
RB6802	1-234-378-21	RES, NETWORK 10K (1005X4) (US, CND)			C5079	1-107-826-11	CERAMIC CHIP 0.1uF 10% 16V
RB6803	1-234-378-21	RES, NETWORK 10K (1005X4) (US, CND)			C5080	1-114-385-11	ELECT CHIP 470uF 20% 6.3V
RB6804	1-234-378-21	RES, NETWORK 10K (1005X4) (US, CND)			C5082	1-114-617-21	ELECT 3300uF 20% 6.3V
RB6805	1-234-372-11	RES, NETWORK 100 (1005X4) (US, CND)			C5085	1-117-370-11	CERAMIC CHIP 10uF 10V
		< VIBRATOR >			C5088	1-107-826-11	CERAMIC CHIP 0.1uF 10% 16V
X6801	1-760-841-11	VIBRATOR, CRYSTAL (45.1584MHz) (US, CND)			C5089	1-162-970-11	CERAMIC CHIP 0.01uF 10% 25V
		*****			C5090	1-107-826-11	CERAMIC CHIP 0.1uF 10% 16V
A-1538-090-A		DSP BOARD, COMPLETE			C5091	1-117-370-11	CERAMIC CHIP 10uF 10V
		*****			C5092	1-107-826-11	CERAMIC CHIP 0.1uF 10% 16V
		< CAPACITOR >			C5093	1-107-826-11	CERAMIC CHIP 0.1uF 10% 16V
C5001	1-100-669-11	ELECT CHIP	100uF 20%	10V	C5094	1-107-826-11	CERAMIC CHIP 0.1uF 10% 16V
C5006	1-107-826-11	CERAMIC CHIP	0.1uF 10%	16V	C5095	1-117-370-11	CERAMIC CHIP 10uF 10V
C5007	1-114-385-11	ELECT CHIP	470uF 20%	6.3V	C5096	1-107-826-11	CERAMIC CHIP 0.1uF 10% 16V
C5009	1-162-915-11	CERAMIC CHIP	10PF 0.5PF	50V	C5097	1-107-826-11	CERAMIC CHIP 0.1uF 10% 16V
C5010	1-162-915-11	CERAMIC CHIP	10PF 0.5PF	50V	C5098	1-107-826-11	CERAMIC CHIP 0.1uF 10% 16V
C5011	1-107-826-11	CERAMIC CHIP	0.1uF 10%	16V	C5099	1-107-826-11	CERAMIC CHIP 0.1uF 10% 16V
C5012	1-107-826-11	CERAMIC CHIP	0.1uF 10%	16V	C5100	1-164-315-11	CERAMIC CHIP 470PF 5% 50V
C5014	1-115-416-11	CERAMIC CHIP	0.001uF 5%	25V	C5201	1-100-669-11	ELECT CHIP 100uF 20% 10V
C5019	1-117-370-11	CERAMIC CHIP	10uF	10V	C5202	1-117-370-11	CERAMIC CHIP 10uF 10V
C5023	1-107-826-11	CERAMIC CHIP	0.1uF 10%	16V	C5203	1-107-826-11	CERAMIC CHIP 0.1uF 10% 16V
C5024	1-162-970-11	CERAMIC CHIP	0.01uF 10%	25V	C5205	1-107-826-11	CERAMIC CHIP 0.1uF 10% 16V
C5025	1-162-970-11	CERAMIC CHIP	0.01uF 10%	25V	C5206	1-107-826-11	CERAMIC CHIP 0.1uF 10% 16V
C5026	1-162-927-11	CERAMIC CHIP	100PF 5%	50V	C5207	1-114-385-11	ELECT CHIP 470uF 20% 6.3V
C5028	1-107-826-11	CERAMIC CHIP	0.1uF 10%	16V	C5208	1-107-826-11	CERAMIC CHIP 0.1uF 10% 16V
C5029	1-107-826-11	CERAMIC CHIP	0.1uF 10%	16V	C5209	1-117-370-11	CERAMIC CHIP 10uF 10V
					C5210	1-117-370-11	CERAMIC CHIP 10uF 10V
					C5211	1-107-826-11	CERAMIC CHIP 0.1uF 10% 16V
					C5212	1-107-826-11	CERAMIC CHIP 0.1uF 10% 16V
					C5213	1-126-209-11	ELECT CHIP 100uF 20% 4V
					C5214	1-115-416-11	CERAMIC CHIP 0.001uF 5% 25V
					C5215	1-162-927-11	CERAMIC CHIP 100PF 5% 50V
					C5216	1-107-826-11	CERAMIC CHIP 0.1uF 10% 16V
					C5218	1-107-826-11	CERAMIC CHIP 0.1uF 10% 16V
					C5219	1-117-370-11	CERAMIC CHIP 10uF 10V
					C5221	1-107-826-11	CERAMIC CHIP 0.1uF 10% 16V
					C5223	1-107-826-11	CERAMIC CHIP 0.1uF 10% 16V
					C5224	1-162-970-11	CERAMIC CHIP 0.01uF 10% 25V
					C5225	1-162-970-11	CERAMIC CHIP 0.01uF 10% 25V
					C5226	1-162-927-11	CERAMIC CHIP 100PF 5% 50V
					C5227	1-107-826-11	CERAMIC CHIP 0.1uF 10% 16V
					C5228	1-107-826-11	CERAMIC CHIP 0.1uF 10% 16V

STR-DA5400ES

DSP

Ref. No.	Part No.	Description	Remark	Ref. No.	Part No.	Description	Remark
C5229	1-107-826-11	CERAMIC CHIP 0.1uF 10%	16V	IC5006	6-808-264-02	IC S29AL008D70TFI010-08ESX131	
C5230	1-107-826-11	CERAMIC CHIP 0.1uF 10%	16V	IC5007	6-710-529-01	IC IS61LV5128AL-10TLI	
C5231	1-107-826-11	CERAMIC CHIP 0.1uF 10%	16V	IC5009	6-701-992-01	IC SN74LVC573APWR	
C5234	1-107-826-11	CERAMIC CHIP 0.1uF 10%	16V				
C5236	1-117-370-11	CERAMIC CHIP 10uF	10V	IC5010	6-701-992-01	IC SN74LVC573APWR	
				IC5012	6-706-492-01	IC TC7SHU04FU (T5RSOJF)	
C5240	1-107-826-11	CERAMIC CHIP 0.1uF 10%	16V	IC5013	6-707-870-01	IC TC74VHC157FT (EKJ)	
C5241	1-107-826-11	CERAMIC CHIP 0.1uF 10%	16V	IC5201	6-712-613-01	IC SI-3010KM-TLS	
C5244	1-107-826-11	CERAMIC CHIP 0.1uF 10%	16V	IC5202	(Not supplied)	IC ADSST-AVR-1131	
C5245	1-107-826-11	CERAMIC CHIP 0.1uF 10%	16V				
C5246	1-107-826-11	CERAMIC CHIP 0.1uF 10%	16V	IC5207	6-710-003-01	IC IS61LV12816L-8TL	
				IC5208	A-1566-609-A	IC MB91F353APMT-GE1 (for SERVICE)	
C5247	1-107-826-11	CERAMIC CHIP 0.1uF 10%	16V	IC5209	6-701-992-01	IC SN74LVC573APWR	
C5248	1-107-826-11	CERAMIC CHIP 0.1uF 10%	16V	IC5210	6-701-992-01	IC SN74LVC573APWR	
C5249	1-107-826-11	CERAMIC CHIP 0.1uF 10%	16V	IC5211	8-759-831-52	IC TC7WH125FK (TE85R)	
C5250	1-107-826-11	CERAMIC CHIP 0.1uF 10%	16V				
C5253	1-117-370-11	CERAMIC CHIP 10uF	10V	IC5212	8-759-680-48	IC TC7WH157FK (TE85R)	
				IC5213	6-808-262-02	IC SST25VF040B-08ES-X101	
						< RESISTOR >	
C5261	1-107-826-11	CERAMIC CHIP 0.1uF 10%	16V	R5002	1-216-833-11	METAL CHIP 10K 5%	1/10W
C5262	1-107-826-11	CERAMIC CHIP 0.1uF 10%	16V	R5003	1-216-821-11	METAL CHIP 1K 5%	1/10W
C5263	1-107-826-11	CERAMIC CHIP 0.1uF 10%	16V	R5004	1-216-857-11	METAL CHIP 1M 5%	1/10W
C5269	1-117-370-11	CERAMIC CHIP 10uF	10V	R5005	1-216-833-11	METAL CHIP 10K 5%	1/10W
C5271	1-107-826-11	CERAMIC CHIP 0.1uF 10%	16V	R5013	1-216-864-11	SHORT CHIP 0	
C5273	1-107-826-11	CERAMIC CHIP 0.1uF 10%	16V	R5014	1-218-854-11	METAL CHIP 2K 0.5%	1/10W
C5274	1-107-826-11	CERAMIC CHIP 0.1uF 10%	16V	R5015	1-218-871-11	METAL CHIP 10K 0.5%	1/10W
C5277	1-107-826-11	CERAMIC CHIP 0.1uF 10%	16V	R5016	1-216-864-11	SHORT CHIP 0	
C5278	1-107-826-11	CERAMIC CHIP 0.1uF 10%	16V	R5018	1-216-864-11	SHORT CHIP 0	
C5279	1-107-826-11	CERAMIC CHIP 0.1uF 10%	16V	R5020	1-216-864-11	SHORT CHIP 0	
C5280	1-114-385-11	ELECT CHIP 470uF 20%	6.3V	R5021	1-216-833-11	METAL CHIP 10K 5%	1/10W
C5282	1-114-617-21	ELECT 3300uF 20%	6.3V	R5023	1-216-805-11	METAL CHIP 47 5%	1/10W
C5285	1-117-370-11	CERAMIC CHIP 10uF	10V	R5024	1-216-821-11	METAL CHIP 1K 5%	1/10W
C5292	1-107-826-11	CERAMIC CHIP 0.1uF 10%	16V	R5025	1-216-805-11	METAL CHIP 47 5%	1/10W
C5293	1-107-826-11	CERAMIC CHIP 0.1uF 10%	16V	R5026	1-216-801-11	METAL CHIP 22 5%	1/10W
C5294	1-107-826-11	CERAMIC CHIP 0.1uF 10%	16V	R5027	1-216-801-11	METAL CHIP 22 5%	1/10W
C5295	1-117-370-11	CERAMIC CHIP 10uF	10V	R5028	1-216-801-11	METAL CHIP 22 5%	1/10W
C5296	1-107-826-11	CERAMIC CHIP 0.1uF 10%	16V	R5032	1-216-833-11	METAL CHIP 10K 5%	1/10W
C5297	1-107-826-11	CERAMIC CHIP 0.1uF 10%	16V	R5035	1-216-857-11	METAL CHIP 1M 5%	1/10W
				R5038	1-216-833-11	METAL CHIP 10K 5%	1/10W
		< CONNECTOR >					
CN5001	1-815-136-21	CONNECTOR, BOARD TO BOARD		R5041	1-216-833-11	METAL CHIP 10K 5%	1/10W
CN5204	1-785-125-21	CONNECTOR 6P		R5042	1-216-864-11	SHORT CHIP 0	
				R5044	1-216-864-11	SHORT CHIP 0	
		< DIODE >		R5046	1-216-864-11	SHORT CHIP 0	
D5001	6-501-193-01	DIODE 1SS355WTE-17		R5047	1-216-864-11	SHORT CHIP 0	
		< FERRITE BEAD >		R5048	1-216-801-11	METAL CHIP 22 5%	1/10W
FB5001	1-469-152-11	FERRITE, EMI (SMD) (2012)		R5049	1-216-864-11	SHORT CHIP 0	
FB5002	1-400-703-21	(3216, EMI FERRITE (SMD)		R5051	1-216-864-11	SHORT CHIP 0	
FB5003	1-469-152-11	FERRITE, EMI (SMD) (2012)		R5052	1-216-864-11	SHORT CHIP 0	
FB5004	1-469-152-11	FERRITE, EMI (SMD) (2012)		R5053	1-216-801-11	METAL CHIP 22 5%	1/10W
FB5006	1-469-152-11	FERRITE, EMI (SMD) (2012)					
				R5054	1-216-801-11	METAL CHIP 22 5%	1/10W
FB5007	1-469-152-11	FERRITE, EMI (SMD) (2012)		R5055	1-216-864-11	SHORT CHIP 0	
FB5201	1-469-152-11	FERRITE, EMI (SMD) (2012)		R5056	1-216-864-11	SHORT CHIP 0	
FB5202	1-400-703-21	(3216, EMI FERRITE (SMD)		R5057	1-216-864-11	SHORT CHIP 0	
FB5204	1-469-152-11	FERRITE, EMI (SMD) (2012)		R5058	1-216-864-11	SHORT CHIP 0	
FB5205	1-469-152-11	FERRITE, EMI (SMD) (2012)					
				R5059	1-216-864-11	SHORT CHIP 0	
FB5206	1-469-152-11	FERRITE, EMI (SMD) (2012)		R5060	1-216-801-11	METAL CHIP 22 5%	1/10W
FB5207	1-469-152-11	FERRITE, EMI (SMD) (2012)		R5061	1-216-801-11	METAL CHIP 22 5%	1/10W
FB5208	1-469-152-11	FERRITE, EMI (SMD) (2012)		R5062	1-216-801-11	METAL CHIP 22 5%	1/10W
				R5063	1-216-801-11	METAL CHIP 22 5%	1/10W
		< IC >					
IC5001	6-712-613-01	IC SI-3010KM-TLS		R5064	1-216-801-11	METAL CHIP 22 5%	1/10W
IC5002	(Not supplied)	IC ADSST-AVR-1132		R5065	1-216-801-11	METAL CHIP 22 5%	1/10W
				R5066	1-216-801-11	METAL CHIP 22 5%	1/10W

Note: IC5002 and IC5202 cannot exchange with single. When these parts are damaged, exchange the entire mounted board.

Ref. No.	Part No.	Description			Remark	Ref. No.	Part No.	Description			Remark
R5067	1-216-801-11	METAL CHIP	22	5%	1/10W	R5262	1-216-801-11	METAL CHIP	22	5%	1/10W
R5068	1-216-821-11	METAL CHIP	1K	5%	1/10W	R5263	1-216-801-11	METAL CHIP	22	5%	1/10W
R5069	1-216-801-11	METAL CHIP	22	5%	1/10W	R5264	1-216-801-11	METAL CHIP	22	5%	1/10W
R5070	1-216-864-11	SHORT CHIP	0			R5265	1-216-801-11	METAL CHIP	22	5%	1/10W
R5071	1-216-864-11	SHORT CHIP	0			R5266	1-216-801-11	METAL CHIP	22	5%	1/10W
R5072	1-216-864-11	SHORT CHIP	0			R5267	1-216-801-11	METAL CHIP	22	5%	1/10W
R5073	1-216-801-11	METAL CHIP	22	5%	1/10W	R5268	1-216-801-11	METAL CHIP	22	5%	1/10W
R5074	1-216-801-11	METAL CHIP	22	5%	1/10W	R5269	1-216-864-11	SHORT CHIP	0		
R5075	1-216-801-11	METAL CHIP	22	5%	1/10W	R5270	1-216-837-11	METAL CHIP	22K	5%	1/10W
R5076	1-216-864-11	SHORT CHIP	0			R5271	1-216-837-11	METAL CHIP	22K	5%	1/10W
R5077	1-216-864-11	SHORT CHIP	0			R5272	1-216-837-11	METAL CHIP	22K	5%	1/10W
R5078	1-216-864-11	SHORT CHIP	0			R5273	1-216-864-11	SHORT CHIP	0		
R5096	1-216-864-11	SHORT CHIP	0			R5274	1-216-864-11	SHORT CHIP	0		
R5097	1-216-801-11	METAL CHIP	22	5%	1/10W	R5275	1-216-821-11	METAL CHIP	1K	5%	1/10W
R5098	1-216-801-11	METAL CHIP	22	5%	1/10W	R5278	1-216-864-11	SHORT CHIP	0		
R5202	1-216-833-11	METAL CHIP	10K	5%	1/10W	R5279	1-216-864-11	SHORT CHIP	0		
R5204	1-216-833-11	METAL CHIP	10K	5%	1/10W	R5280	1-216-864-11	SHORT CHIP	0		
R5205	1-216-833-11	METAL CHIP	10K	5%	1/10W	R5281	1-216-864-11	SHORT CHIP	0		
R5208	1-216-833-11	METAL CHIP	10K	5%	1/10W	R5282	1-216-864-11	SHORT CHIP	0		
R5209	1-216-833-11	METAL CHIP	10K	5%	1/10W	R5283	1-216-864-11	SHORT CHIP	0		
R5212	1-216-833-11	METAL CHIP	10K	5%	1/10W	R5284	1-216-821-11	METAL CHIP	1K	5%	1/10W
R5213	1-216-864-11	SHORT CHIP	0			R5285	1-216-821-11	METAL CHIP	1K	5%	1/10W
R5214	1-218-854-11	METAL CHIP	2K	0.5%	1/10W	R5286	1-216-864-11	SHORT CHIP	0		
R5215	1-218-871-11	METAL CHIP	10K	0.5%	1/10W	R5287	1-216-864-11	SHORT CHIP	0		
R5216	1-216-864-11	SHORT CHIP	0			R5288	1-216-864-11	SHORT CHIP	0		
R5218	1-216-864-11	SHORT CHIP	0			R5289	1-216-864-11	SHORT CHIP	0		
R5220	1-216-864-11	SHORT CHIP	0			R5290	1-216-864-11	SHORT CHIP	0		
R5221	1-216-833-11	METAL CHIP	10K	5%	1/10W	R5291	1-216-864-11	SHORT CHIP	0		
R5223	1-216-864-11	SHORT CHIP	0			R5292	1-216-801-11	METAL CHIP	22	5%	1/10W
R5224	1-216-821-11	METAL CHIP	1K	5%	1/10W	R5293	1-216-801-11	METAL CHIP	22	5%	1/10W
R5225	1-216-805-11	METAL CHIP	47	5%	1/10W	R5294	1-216-864-11	SHORT CHIP	0		
R5226	1-216-801-11	METAL CHIP	22	5%	1/10W	R5295	1-216-864-11	SHORT CHIP	0		
R5227	1-216-801-11	METAL CHIP	22	5%	1/10W	R5296	1-216-864-11	SHORT CHIP	0		
R5228	1-216-801-11	METAL CHIP	22	5%	1/10W	R5297	1-216-864-11	SHORT CHIP	0		
R5229	1-216-801-11	METAL CHIP	22	5%	1/10W	R5298	1-216-864-11	SHORT CHIP	0		
R5230	1-216-801-11	METAL CHIP	22	5%	1/10W	R5299	1-216-833-11	METAL CHIP	10K	5%	1/10W
R5231	1-216-833-11	METAL CHIP	10K	5%	1/10W	R5300	1-216-864-11	SHORT CHIP	0		
R5232	1-216-833-11	METAL CHIP	10K	5%	1/10W	R5301	1-216-864-11	SHORT CHIP	0		
R5233	1-216-833-11	METAL CHIP	10K	5%	1/10W	R5304	1-216-833-11	METAL CHIP	10K	5%	1/10W
R5234	1-216-833-11	METAL CHIP	10K	5%	1/10W	R5305	1-216-833-11	METAL CHIP	10K	5%	1/10W
R5235	1-216-857-11	METAL CHIP	1M	5%	1/10W						
R5238	1-216-833-11	METAL CHIP	10K	5%	1/10W						
R5241	1-216-833-11	METAL CHIP	10K	5%	1/10W						
R5242	1-216-864-11	SHORT CHIP	0			RB5006	1-234-371-21	RES, NETWORK 47 (1005X4)			
R5244	1-216-864-11	SHORT CHIP	0			RB5007	1-234-371-21	RES, NETWORK 47 (1005X4)			
R5246	1-216-801-11	METAL CHIP	22	5%	1/10W	RB5008	1-234-371-21	RES, NETWORK 47 (1005X4)			
R5247	1-216-864-11	SHORT CHIP	0			RB5010	1-242-963-21	RES, NETWORK 33 (1005X4)			
R5248	1-216-801-11	METAL CHIP	22	5%	1/10W	RB5011	1-242-963-21	RES, NETWORK 33 (1005X4)			
R5249	1-216-864-11	SHORT CHIP	0			RB5012	1-242-963-21	RES, NETWORK 33 (1005X4)			
R5251	1-216-864-11	SHORT CHIP	0			RB5013	1-242-963-21	RES, NETWORK 33 (1005X4)			
R5252	1-216-864-11	SHORT CHIP	0			RB5014	1-242-963-21	RES, NETWORK 33 (1005X4)			
R5253	1-216-801-11	METAL CHIP	22	5%	1/10W	RB5015	1-242-963-21	RES, NETWORK 33 (1005X4)			
R5254	1-216-801-11	METAL CHIP	22	5%	1/10W	RB5016	1-242-963-21	RES, NETWORK 33 (1005X4)			
R5255	1-216-864-11	SHORT CHIP	0			RB5017	1-242-963-21	RES, NETWORK 33 (1005X4)			
R5256	1-216-864-11	SHORT CHIP	0			RB5203	1-234-372-11	RES, NETWORK 100 (1005X4)			
R5257	1-216-864-11	SHORT CHIP	0			RB5204	1-234-372-11	RES, NETWORK 100 (1005X4)			
R5258	1-216-864-11	SHORT CHIP	0			RB5205	1-234-372-11	RES, NETWORK 100 (1005X4)			
R5259	1-216-864-11	SHORT CHIP	0			RB5206	1-242-963-21	RES, NETWORK 33 (1005X4)			
R5260	1-216-801-11	METAL CHIP	22	5%	1/10W	RB5207	1-242-963-21	RES, NETWORK 33 (1005X4)			
R5261	1-216-801-11	METAL CHIP	22	5%	1/10W	RB5208	1-242-963-21	RES, NETWORK 33 (1005X4)			
						RB5209	1-242-963-21	RES, NETWORK 33 (1005X4)			

< COMPOSITION CIRCUIT BLOCK >

STR-DA5400ES

DSP **E-VOL**

Ref. No.	Part No.	Description	Remark	Ref. No.	Part No.	Description	Remark
RB5210	1-234-372-11	RES, NETWORK 100 (1005X4)		C1265	1-164-690-91	CERAMIC CHIP 0.0022uF 5% 50V	
RB5214	1-242-963-21	RES, NETWORK 33 (1005X4)		C1272	1-112-114-11	ELECT 22uF 20% 50V	
RB5215	1-242-963-21	RES, NETWORK 33 (1005X4)		C1273	1-112-083-11	ELECT 100uF 20% 16V	
RB5216	1-242-963-21	RES, NETWORK 33 (1005X4)		C1274	1-163-235-11	CERAMIC CHIP 22PF 5% 50V	
RB5217	1-242-963-21	RES, NETWORK 33 (1005X4)		C1275	1-164-690-91	CERAMIC CHIP 0.0022uF 5% 50V	
< VIBRATOR >				C1280	1-163-227-11	CERAMIC CHIP 10PF 0.5PF 50V	
X5001	1-795-843-11	VIBRATOR, CRYSTAL (12.288MHz)		C1282	1-112-114-11	ELECT 22uF 20% 50V	
X5201	1-813-967-21	PIEZOELECTRIC OSCILLAT (25MHz)		C1283	1-112-083-11	ELECT 100uF 20% 16V	
X5202	1-781-893-21	VIBRATOR, CERAMIC (CHIP TYPE) (12.5MHz)		C1284	1-163-235-11	CERAMIC CHIP 22PF 5% 50V	
*****				C1285	1-164-690-91	CERAMIC CHIP 0.0022uF 5% 50V	
A-1538-072-A	E-VOL BOARD, COMPLETE			C1286	1-163-227-11	CERAMIC CHIP 10PF 0.5PF 50V	
*****				C1290	1-163-227-11	CERAMIC CHIP 10PF 0.5PF 50V	
< CAPACITOR >				< CONNECTOR >			
C1202	1-112-114-11	ELECT 22uF 20% 50V		CN1201	1-764-864-41	CONNECTOR, BOARD TO BOARD 12P	
C1203	1-112-083-11	ELECT 100uF 20% 16V		CN1202	1-573-829-11	CONNECTOR, BOARD TO BOARD 15P	
C1204	1-163-235-11	CERAMIC CHIP 22PF 5% 50V		CN1203	1-573-829-11	CONNECTOR, BOARD TO BOARD 15P	
C1205	1-164-690-91	CERAMIC CHIP 0.0022uF 5% 50V		CN1204	1-766-719-41	CONNECTOR, BOARD TO BOARD 10P	
C1206	1-163-021-91	CERAMIC CHIP 0.01uF 10% 50V		CN1208	1-784-925-11	PIN, CONNECTOR 10P	
C1207	1-163-275-11	CERAMIC CHIP 0.001uF 5% 50V		CN1209	1-779-977-11	PIN, CONNECTOR 6P	
C1208	1-163-021-91	CERAMIC CHIP 0.01uF 10% 50V		< IC >			
C1209	1-163-021-91	CERAMIC CHIP 0.01uF 10% 50V		IC1202	8-759-710-97	IC NJM4565M-D	
C1210	1-163-227-11	CERAMIC CHIP 10PF 0.5PF 50V		IC1203	6-709-814-01	IC CXD9725M-HFL	
C1212	1-112-114-11	ELECT 22uF 20% 50V		IC1212	8-759-710-97	IC NJM4565M-D	
C1213	1-112-083-11	ELECT 100uF 20% 16V		IC1213	6-709-814-01	IC CXD9725M-HFL	
C1214	1-163-235-11	CERAMIC CHIP 22PF 5% 50V		IC1222	8-759-710-97	IC NJM4565M-D	
C1215	1-164-690-91	CERAMIC CHIP 0.0022uF 5% 50V		IC1223	6-709-814-01	IC CXD9725M-HFL	
C1216	1-163-021-91	CERAMIC CHIP 0.01uF 10% 50V		IC1232	8-759-710-97	IC NJM4565M-D	
C1217	1-163-275-11	CERAMIC CHIP 0.001uF 5% 50V		IC1233	6-709-814-01	IC CXD9725M-HFL	
C1218	1-163-021-91	CERAMIC CHIP 0.01uF 10% 50V		< RESISTOR >			
C1219	1-163-021-91	CERAMIC CHIP 0.01uF 10% 50V		R1202	1-216-049-11	METAL CHIP 1K 5% 1/10W	
C1220	1-163-227-11	CERAMIC CHIP 10PF 0.5PF 50V		R1203	1-216-097-11	METAL CHIP 100K 5% 1/10W	
C1222	1-112-114-11	ELECT 22uF 20% 50V		R1204	1-216-025-11	METAL CHIP 100 5% 1/10W	
C1223	1-112-083-11	ELECT 100uF 20% 16V		R1205	1-216-013-00	METAL CHIP 33 5% 1/10W	
C1224	1-163-235-11	CERAMIC CHIP 22PF 5% 50V		R1206	1-216-013-00	METAL CHIP 33 5% 1/10W	
C1225	1-164-690-91	CERAMIC CHIP 0.0022uF 5% 50V		R1207	1-216-097-11	METAL CHIP 100K 5% 1/10W	
C1226	1-163-021-91	CERAMIC CHIP 0.01uF 10% 50V		R1212	1-216-049-11	METAL CHIP 1K 5% 1/10W	
C1227	1-163-275-11	CERAMIC CHIP 0.001uF 5% 50V		R1213	1-216-097-11	METAL CHIP 100K 5% 1/10W	
C1228	1-163-021-91	CERAMIC CHIP 0.01uF 10% 50V		R1214	1-216-025-11	METAL CHIP 100 5% 1/10W	
C1229	1-163-021-91	CERAMIC CHIP 0.01uF 10% 50V		R1215	1-216-013-00	METAL CHIP 33 5% 1/10W	
C1230	1-163-227-11	CERAMIC CHIP 10PF 0.5PF 50V		R1216	1-216-013-00	METAL CHIP 33 5% 1/10W	
C1232	1-112-114-11	ELECT 22uF 20% 50V		R1217	1-216-097-11	METAL CHIP 100K 5% 1/10W	
C1233	1-112-083-11	ELECT 100uF 20% 16V		R1222	1-216-049-11	METAL CHIP 1K 5% 1/10W	
C1234	1-163-235-11	CERAMIC CHIP 22PF 5% 50V		R1223	1-216-097-11	METAL CHIP 100K 5% 1/10W	
C1235	1-164-690-91	CERAMIC CHIP 0.0022uF 5% 50V		R1224	1-216-025-11	METAL CHIP 100 5% 1/10W	
C1236	1-163-021-91	CERAMIC CHIP 0.01uF 10% 50V		R1225	1-216-013-00	METAL CHIP 33 5% 1/10W	
C1237	1-163-275-11	CERAMIC CHIP 0.001uF 5% 50V		R1226	1-216-013-00	METAL CHIP 33 5% 1/10W	
C1238	1-163-021-91	CERAMIC CHIP 0.01uF 10% 50V		R1227	1-216-097-11	METAL CHIP 100K 5% 1/10W	
C1239	1-163-021-91	CERAMIC CHIP 0.01uF 10% 50V		R1232	1-216-049-11	METAL CHIP 1K 5% 1/10W	
C1240	1-163-227-11	CERAMIC CHIP 10PF 0.5PF 50V		R1233	1-216-097-11	METAL CHIP 100K 5% 1/10W	
C1243	1-112-426-11	ELECT 47uF 20% 35V		R1234	1-216-025-11	METAL CHIP 100 5% 1/10W	
C1244	1-163-227-11	CERAMIC CHIP 10PF 0.5PF 50V		R1235	1-216-013-00	METAL CHIP 33 5% 1/10W	
C1252	1-112-114-11	ELECT 22uF 20% 50V		R1236	1-216-013-00	METAL CHIP 33 5% 1/10W	
C1253	1-112-083-11	ELECT 100uF 20% 16V		R1237	1-216-097-11	METAL CHIP 100K 5% 1/10W	
C1254	1-163-235-11	CERAMIC CHIP 22PF 5% 50V		R1252	1-216-049-11	METAL CHIP 1K 5% 1/10W	
C1255	1-164-690-91	CERAMIC CHIP 0.0022uF 5% 50V		R1253	1-216-097-11	METAL CHIP 100K 5% 1/10W	
C1262	1-112-114-11	ELECT 22uF 20% 50V		R1257	1-216-097-11	METAL CHIP 100K 5% 1/10W	
C1263	1-112-083-11	ELECT 100uF 20% 16V					
C1264	1-163-235-11	CERAMIC CHIP 22PF 5% 50V					

Ref. No.	Part No.	Description				Remark	Ref. No.	Part No.	Description				Remark
R1262	1-216-049-11	METAL CHIP	1K	5%	1/10W	C2190	1-163-275-11	CERAMIC CHIP	0.001uF	5%	50V		
R1263	1-216-097-11	METAL CHIP	100K	5%	1/10W	C2191	1-163-275-11	CERAMIC CHIP	0.001uF	5%	50V		
R1267	1-216-097-11	METAL CHIP	100K	5%	1/10W	C2192	1-163-251-11	CERAMIC CHIP	100PF	5%	50V		
						C2193	1-163-251-11	CERAMIC CHIP	100PF	5%	50V		
R1272	1-216-049-11	METAL CHIP	1K	5%	1/10W	C2194	1-163-275-11	CERAMIC CHIP	0.001uF	5%	50V		
R1273	1-216-097-11	METAL CHIP	100K	5%	1/10W	C2195	1-163-251-11	CERAMIC CHIP	100PF	5%	50V		
R1277	1-216-097-11	METAL CHIP	100K	5%	1/10W	C2196	1-163-251-11	CERAMIC CHIP	100PF	5%	50V		
R1282	1-216-049-11	METAL CHIP	1K	5%	1/10W	C2197	1-163-251-11	CERAMIC CHIP	100PF	5%	50V		
R1283	1-216-097-11	METAL CHIP	100K	5%	1/10W	C2198	1-163-251-11	CERAMIC CHIP	100PF	5%	50V		
R1287	1-216-097-11	METAL CHIP	100K	5%	1/10W	C2200	1-163-251-11	CERAMIC CHIP	100PF	5%	50V		

KEY1 BOARD													

< CONNECTOR >													
* CN715	1-568-941-11	PIN, CONNECTOR 3P											
< RESISTOR >													
R760	1-216-057-00	METAL CHIP	2.2K	5%	1/10W	C2205	1-115-339-11	CERAMIC CHIP	0.1uF	10%	50V		
R761	1-216-057-00	METAL CHIP	2.2K	5%	1/10W	C2206	1-112-114-11	ELECT	22uF	20%	50V		
< SWITCH >													
S720	1-771-349-21	SWITCH, KEYBOARD (HDMI IN)											
S721	1-771-349-21	SWITCH, KEYBOARD (HDMI OUT)											

A-1538-066-A	MAIN BOARD, COMPLETE (US, CND)												
A-1538-132-A	MAIN BOARD, COMPLETE (AEP, ECE, UK)												

3-531-576-41	RIVET (DIA. 3), NYLON												
4-117-852-01	INSULATED PLATE (MAIN-HS)												
7-685-646-79	SCREW +BVTP 3X8 TYPE2 IT-3												
< CAPACITOR >													
C1491	1-109-982-11	CERAMIC CHIP	1uF	10%	10V	C2207	1-112-114-11	ELECT	22uF	20%	50V		
C1492	1-109-982-11	CERAMIC CHIP	1uF	10%	10V	C2208	1-112-114-11	ELECT	22uF	20%	50V		
C1493	1-109-982-11	CERAMIC CHIP	1uF	10%	10V	C2209	1-112-114-11	ELECT	22uF	20%	50V		
C1494	1-109-982-11	CERAMIC CHIP	1uF	10%	10V	C2210	1-112-114-11	ELECT	22uF	20%	50V		
C1495	1-125-889-11	CERAMIC CHIP	2.2uF	10%	10V	C2211	1-112-114-11	ELECT	22uF	20%	50V		
C1496	1-164-004-11	CERAMIC CHIP	0.1uF	10%	25V	C2212	1-112-114-11	ELECT	22uF	20%	50V		
C1498	1-163-251-11	CERAMIC CHIP	100PF	5%	50V	C2213	1-112-114-11	ELECT	22uF	20%	50V		
C2082	1-163-025-11	CERAMIC CHIP	0.001uF		50V	C2214	1-115-339-11	CERAMIC CHIP	0.1uF	10%	50V		
C2083	1-163-025-11	CERAMIC CHIP	0.001uF		50V	C2290	1-112-114-11	ELECT	22uF	20%	50V		
C2086	1-112-089-11	ELECT	47uF	20%	25V	C2300	1-112-114-11	ELECT	22uF	20%	50V		
C2087	1-112-089-11	ELECT	47uF	20%	25V	C2310	1-112-114-11	ELECT	22uF	20%	50V		
C2088	1-163-251-11	CERAMIC CHIP	100PF	5%	50V	C2320	1-112-114-11	ELECT	22uF	20%	50V		
C2089	1-163-251-11	CERAMIC CHIP	100PF	5%	50V	C2330	1-112-114-11	ELECT	22uF	20%	50V		
C2090	1-163-251-11	CERAMIC CHIP	100PF	5%	50V	C2331	1-112-114-11	ELECT	22uF	20%	50V		
C2091	1-163-251-11	CERAMIC CHIP	100PF	5%	50V	C2340	1-112-114-11	ELECT	22uF	20%	50V		
C2093	1-163-251-11	CERAMIC CHIP	100PF	5%	50V	C2350	1-112-114-11	ELECT	22uF	20%	50V		
C2094	1-163-251-11	CERAMIC CHIP	100PF	5%	50V	C2360	1-112-114-11	ELECT	22uF	20%	50V		
C2095	1-163-251-11	CERAMIC CHIP	100PF	5%	50V	C2370	1-112-114-11	ELECT	22uF	20%	50V		
C2096	1-163-251-11	CERAMIC CHIP	100PF	5%	50V	C2390	1-164-690-91	CERAMIC CHIP	0.0022uF	5%	50V		
C2097	1-163-251-11	CERAMIC CHIP	100PF	5%	50V	C2391	1-164-690-91	CERAMIC CHIP	0.0022uF	5%	50V		
C2098	1-163-251-11	CERAMIC CHIP	100PF	5%	50V	C2392	1-163-021-91	CERAMIC CHIP	0.01uF	10%	50V		
C2100	1-164-690-91	CERAMIC CHIP	0.0022uF	5%	50V	C2393	1-112-114-11	ELECT	22uF	20%	50V		
C2101	1-164-690-91	CERAMIC CHIP	0.0022uF	5%	50V	C2394	1-112-114-11	ELECT	22uF	20%	50V		
C2102	1-163-021-91	CERAMIC CHIP	0.01uF	10%	50V	C2395	1-163-251-11	CERAMIC CHIP	100PF	5%	50V		
C2103	1-163-251-11	CERAMIC CHIP	100PF	5%	50V	C2490	1-114-953-11	ELECT (BLOCK)	8200uF	20%	71V		
C2189	1-163-275-11	CERAMIC CHIP	0.001uF	5%	50V	C2491	1-114-953-11	ELECT (BLOCK)	8200uF	20%	71V		
						C2492	1-137-350-11	FILM	0.015uF	5%	100V		
						C2493	1-137-350-11	FILM	0.015uF	5%	100V		
						△ C2494	1-107-373-51	MYLAR	0.33uF	10%	200V		
						C2495	1-115-339-11	CERAMIC CHIP	0.1uF	10%	50V		
						C2497	1-112-422-11	ELECT	470uF	20%	25V		
						C2498	1-112-422-11	ELECT	470uF	20%	25V		
						C2499	1-115-339-11	CERAMIC CHIP	0.1uF	10%	50V		
						C2500	1-115-339-11	CERAMIC CHIP	0.1uF	10%	50V		
						C2501	1-115-339-11	CERAMIC CHIP	0.1uF	10%	50V		
						C2503	1-115-339-11	CERAMIC CHIP	0.1uF	10%	50V		
						C2504	1-112-422-11	ELECT	470uF	20%	25V		
						C2507	1-112-422-11	ELECT	470uF	20%	25V		
						C2508	1-115-339-11	CERAMIC CHIP	0.1uF	10%	50V		
						C2511	1-137-350-11	FILM	0.015uF	5%	100V		
						C2512	1-137-350-11	FILM	0.015uF	5%	100V		
						C2513	1-112-093-11	ELECT	2200uF	20%	25V		
						C2514	1-112-093-11	ELECT	2200uF	20%	25V		
						△ C2517	1-107-373-51	MYLAR	0.33uF	10%	200V		

STR-DA5400ES

MAIN

Ref. No.	Part No.	Description	Remark			Ref. No.	Part No.	Description	Remark		
C4001	1-115-339-11	CERAMIC CHIP	0.1uF	10%	50V			< FUSE HOLDER >			
C4002	1-115-339-11	CERAMIC CHIP	0.1uF	10%	50V						
C4003	1-115-339-11	CERAMIC CHIP	0.1uF	10%	50V						
C5090	1-163-251-11	CERAMIC CHIP	100PF	5%	50V						
C5091	1-163-251-11	CERAMIC CHIP	100PF	5%	50V						
C5092	1-163-251-11	CERAMIC CHIP	100PF	5%	50V						
C5093	1-137-395-91	MYLAR	0.022uF	5%	100V			< IC >			
C5094	1-137-395-91	MYLAR	0.022uF	5%	100V						
C5095	1-163-251-11	CERAMIC CHIP	100PF	5%	50V	IC1236	6-705-469-01	IC BA50BC0FP-E2			
C5096	1-163-251-11	CERAMIC CHIP	100PF	5%	50V	IC1499	6-705-067-01	IC MAX232DR			
C5097	1-137-395-91	MYLAR	0.022uF	5%	100V	IC2090	6-709-811-01	IC TC9274CNG-016			
C6305	1-112-077-11	ELECT	1000uF	20%	6.3V	IC2290	8-759-710-97	IC NJM4565M-D			
						IC2300	8-759-710-97	IC NJM4565M-D			
		< CONNECTOR >				IC2310	8-759-710-97	IC NJM4565M-D			
CN1001	1-784-930-11	PIN, CONNECTOR 15P				IC2311	8-759-710-97	IC NJM4565M-D			
CN1005	1-770-386-11	CONNECTOR, BOARD TO BOARD 20P				IC2320	8-759-710-97	IC NJM4565M-D			
CN1006	1-770-381-11	CONNECTOR, BOARD TO BOARD 10P				IC2390	6-709-809-01	IC TC9273CFG-012 (EL)			
CN1203	1-573-847-11	CONNECTOR, BOARD TO BOARD 15P				IC2391	8-759-710-97	IC NJM4565M-D			
CN1204	1-766-715-21	CONNECTOR, BOARD TO BOARD 10P				IC2392	8-759-710-97	IC NJM4565M-D			
CN1399	1-785-101-11	PIN, CONNECTOR (3.96mm PITCH) 3P				IC2490	8-759-390-54	IC uPC2415AHF			
CN1403	1-785-103-11	PIN, CONNECTOR (3.96mm PITCH) 5P				IC2491	8-759-392-19	IC uPC7915AHF			
CN1405	1-785-102-11	PIN, CONNECTOR (3.96mm PITCH) 4P				IC2494	6-702-381-01	IC SI-3011ZD-TL			
* CN1408	1-564-507-11	PLUG, CONNECTOR 4P						< JACK >			
		< DIODE >				J1001	1-784-429-11	JACK, PIN 4P			
D1001	6-501-817-01	DIODE MA2J1110GLS0						(MULTI CHANNEL INPUT SA-CD/CD IN/FRONT)			
D1002	6-501-817-01	DIODE MA2J1110GLS0				J1002	1-821-676-11	JACK, PIN 6P (MULTI CHANNEL INPUT			
D1003	6-501-817-01	DIODE MA2J1110GLS0						SURROUND/SUR BACK/CENTER/SUBWOOFER)			
D1004	6-501-817-01	DIODE MA2J1110GLS0				J1101	1-794-981-11	JACK, PIN 4P (PRE OUT FRONT/SURROUND)			
D1005	6-501-817-01	DIODE MA2J1110GLS0				J1102	1-766-398-21	JACK, PIN 4P			
D1101	6-501-817-01	DIODE MA2J1110GLS0						(PRE OUT SUR BACK/CENTER/SUBWOOFER)			
D1102	6-501-817-01	DIODE MA2J1110GLS0				J1499	1-815-737-11	CONNECTOR, (D) SUB 9P (RS-232C)			
D1103	6-501-817-01	DIODE MA2J1110GLS0						< TRANSISTOR >			
D1104	6-501-817-01	DIODE MA2J1110GLS0				Q1101	8-729-230-49	TRANSISTOR	2SC2712-YG		
D1105	6-501-817-01	DIODE MA2J1110GLS0				Q1102	8-729-230-49	TRANSISTOR	2SC2712-YG		
D1401	8-719-302-38	DIODE RBV-602-01				Q1103	8-729-230-49	TRANSISTOR	2SC2712-YG		
D1403	6-501-817-01	DIODE MA2J1110GLS0				Q1104	8-729-230-49	TRANSISTOR	2SC2712-YG		
D1405	8-719-053-18	DIODE 1SR154-400TE-25				Q1105	8-729-230-49	TRANSISTOR	2SC2712-YG		
D1406	8-719-053-18	DIODE 1SR154-400TE-25				Q1401	8-729-230-49	TRANSISTOR	2SC2712-YG		
D1407	8-719-053-18	DIODE 1SR154-400TE-25				Q1402	8-729-230-49	TRANSISTOR	2SC2712-YG		
D1408	8-719-053-18	DIODE 1SR154-400TE-25				Q4001	8-729-230-49	TRANSISTOR	2SC2712-YG		
D1411	8-719-072-05	DIODE RBV-602LF-A				Q4002	8-729-230-49	TRANSISTOR	2SC2712-YG		
D1413	6-501-817-01	DIODE MA2J1110GLS0				Q4003	8-729-230-49	TRANSISTOR	2SC2712-YG		
D1414	6-501-817-01	DIODE MA2J1110GLS0						< RESISTOR >			
D2190	6-501-817-01	DIODE MA2J1110GLS0				R1498	1-216-627-11	METAL CHIP	100	0.5%	1/10W
D2191	6-501-817-01	DIODE MA2J1110GLS0				R1499	1-216-627-11	METAL CHIP	100	0.5%	1/10W
D2192	6-501-817-01	DIODE MA2J1110GLS0				R2084	1-208-526-41	RES-CHIP	47K	2%	1/10W
D2193	6-501-817-01	DIODE MA2J1110GLS0				R2085	1-208-526-41	RES-CHIP	47K	2%	1/10W
D2194	6-501-817-01	DIODE MA2J1110GLS0				△ R2086	1-249-399-91	CARBON	33	5%	1/4W F
D2195	6-501-817-01	DIODE MA2J1110GLS0				△ R2087	1-249-399-91	CARBON	33	5%	1/4W F
D2196	6-501-817-01	DIODE MA2J1110GLS0				R2088	1-208-437-41	RES-CHIP	1K	2%	1/10W
D2197	6-501-817-01	DIODE MA2J1110GLS0				R2089	1-208-437-41	RES-CHIP	1K	2%	1/10W
D4001	6-501-817-01	DIODE MA2J1110GLS0				R2099	1-208-437-41	RES-CHIP	1K	2%	1/10W
D4002	6-501-817-01	DIODE MA2J1110GLS0				R2100	1-208-437-41	RES-CHIP	1K	2%	1/10W
D4003	6-501-817-01	DIODE MA2J1110GLS0				R2101	1-208-437-41	RES-CHIP	1K	2%	1/10W
		< FERRITE BEAD >				R2102	1-208-437-41	RES-CHIP	1K	2%	1/10W
FB1499	1-469-152-11	FERRITE, EMI (SMD) (2012)				R2103	1-208-437-41	RES-CHIP	1K	2%	1/10W
						R2104	1-208-437-41	RES-CHIP	1K	2%	1/10W
						R2105	1-208-437-41	RES-CHIP	1K	2%	1/10W

STR-DA5400ES

MAIN VOL **MIC** **POWER AMP** **PROTECTOR (F-C)**

Ref. No.	Part No.	Description	Remark	Ref. No.	Part No.	Description	Remark
		MAIN VOL BOARD *****				< COIL >	
* CN712	1-564-720-11	< CONNECTOR > PIN, CONNECTOR (SMALL TYPE) 4P		L1501	1-420-872-52	COIL, AIR-CORE	
		< ROTARY ENCODER >		L1551	1-420-872-52	COIL, AIR-CORE	
S722	1-418-725-41	ENCODER, ROTARY (12 TYPE) (MASTER VOLUME)		L1601	1-420-872-52	COIL, AIR-CORE	
		*****		L1701	1-420-872-52	COIL, AIR-CORE	
		MIC BOARD *****		L1751	1-420-872-52	COIL, AIR-CORE	
		< CAPACITOR >		L1801	1-420-872-52	COIL, AIR-CORE	
C755	1-164-230-11	CERAMIC CHIP 220PF 5% 50V		L1851	1-420-872-52	COIL, AIR-CORE	
		< CONNECTOR >				< RESISTOR >	
CN718	1-564-719-11	PIN, CONNECTOR (SMALL TYPE) 3P		△ R1515	1-249-405-91	CARBON 100 5% 1/4W	F
		< DIODE >		△ R1516	1-234-572-21	ENCAPSULATED COMPONENT 0.22 5W	F
D717	6-501-817-01	DIODE MA2J1110GLS0		△ R1517	1-249-405-91	CARBON 100 5% 1/4W	F
D718	6-501-817-01	DIODE MA2J1110GLS0		△ R1518	1-249-393-91	CARBON 10 5% 1/4W	F
		< JACK >		△ R1565	1-249-405-91	CARBON 100 5% 1/4W	F
J701	1-820-056-11	SMALL TYPE JACK (AUTO CAL MIC)		△ R1566	1-234-572-21	ENCAPSULATED COMPONENT 0.22 5W	F
		< LEAD >		△ R1567	1-249-405-91	CARBON 100 5% 1/4W	F
W701	1-775-377-21	LEAD (WITH CONNECTOR)		△ R1568	1-249-393-91	CARBON 10 5% 1/4W	F
		*****		△ R1615	1-249-405-91	CARBON 100 5% 1/4W	F
	A-1530-376-A	POWER AMP BOARD, COMPLETE *****		△ R1616	1-234-572-21	ENCAPSULATED COMPONENT 0.22 5W	F
		< CAPACITOR >		△ R1617	1-249-405-91	CARBON 100 5% 1/4W	F
C1512	1-107-597-11	CERAMIC 22PF 5% 500V		△ R1618	1-249-393-91	CARBON 10 5% 1/4W	F
C1513	1-107-597-11	CERAMIC 22PF 5% 500V		△ R1715	1-249-405-91	CARBON 100 5% 1/4W	F
C1562	1-107-597-11	CERAMIC 22PF 5% 500V		△ R1716	1-234-572-21	ENCAPSULATED COMPONENT 0.22 5W	F
C1563	1-107-597-11	CERAMIC 22PF 5% 500V		△ R1717	1-249-405-91	CARBON 100 5% 1/4W	F
C1612	1-107-597-11	CERAMIC 22PF 5% 500V		△ R1718	1-249-393-91	CARBON 10 5% 1/4W	F
				△ R1765	1-249-405-91	CARBON 100 5% 1/4W	F
C1613	1-107-597-11	CERAMIC 22PF 5% 500V		△ R1766	1-234-572-21	ENCAPSULATED COMPONENT 0.22 5W	F
C1712	1-107-597-11	CERAMIC 22PF 5% 500V		△ R1767	1-249-405-91	CARBON 100 5% 1/4W	F
C1713	1-107-597-11	CERAMIC 22PF 5% 500V		△ R1768	1-249-393-91	CARBON 10 5% 1/4W	F
C1762	1-107-597-11	CERAMIC 22PF 5% 500V		△ R1815	1-249-405-91	CARBON 100 5% 1/4W	F
C1763	1-107-597-11	CERAMIC 22PF 5% 500V		△ R1816	1-234-572-21	ENCAPSULATED COMPONENT 0.22 5W	F
				△ R1817	1-249-405-91	CARBON 100 5% 1/4W	F
C1812	1-107-597-11	CERAMIC 22PF 5% 500V		△ R1818	1-249-393-91	CARBON 10 5% 1/4W	F
C1813	1-107-597-11	CERAMIC 22PF 5% 500V		△ R1865	1-249-405-91	CARBON 100 5% 1/4W	F
C1862	1-107-597-11	CERAMIC 22PF 5% 500V		△ R1866	1-234-572-21	ENCAPSULATED COMPONENT 0.22 5W	F
C1863	1-107-597-11	CERAMIC 22PF 5% 500V		△ R1867	1-249-405-91	CARBON 100 5% 1/4W	F
C1903	1-128-563-11	ELECT 100uF 20% 100V		△ R1868	1-249-393-91	CARBON 10 5% 1/4W	F

C1904	1-128-563-11	ELECT 100uF 20% 100V			A-1530-381-A	PROTECTOR (F-C) BOARD, COMPLETE *****	
		< CONNECTOR >				< CAPACITOR >	
CN1510	1-573-846-11	CONNECTOR, BOARD TO BOARD 14P		C1522	1-128-813-11	CERAMIC 220PF 5% 50V	
CN1572	1-766-600-21	CONNECTOR, BOARD TO BOARD 7P		C1523	1-136-153-00	MYLAR 0.01uF 5% 50V	
CN1703	1-573-846-11	CONNECTOR, BOARD TO BOARD 14P		C1524	1-126-964-11	ELECT 10uF 20% 50V	
CN1872	1-573-846-11	CONNECTOR, BOARD TO BOARD 14P		C1572	1-128-813-11	CERAMIC 220PF 5% 50V	
CN1903	1-573-844-11	CONNECTOR, BOARD TO BOARD 12P		C1573	1-136-153-00	MYLAR 0.01uF 5% 50V	
				C1574	1-126-964-11	ELECT 10uF 20% 50V	
CN1904	1-573-844-11	CONNECTOR, BOARD TO BOARD 12P		C1622	1-128-813-11	CERAMIC 220PF 5% 50V	
				C1623	1-136-153-00	MYLAR 0.01uF 5% 50V	
				C1624	1-126-964-11	ELECT 10uF 20% 50V	
						< CONNECTOR >	
				CN1501	1-766-715-21	CONNECTOR, BOARD TO BOARD 10P	
				* CN1503	1-774-876-21	CONNECTOR, BOARD TO BOARD 8P	
				* CN1521	1-573-828-11	CONNECTOR, BOARD TO BOARD 14P	
				* CN1561	1-564-720-11	PIN, CONNECTOR (SMALL TYPE) 4P	
				CN1571	1-766-724-11	CONNECTOR, BOARD TO BOARD 7P	

PROTECTOR (F-C)

PROTECTOR (SB)

Ref. No.	Part No.	Description	Remark
* CN1611	1-564-720-11	PIN, CONNECTOR (SMALL TYPE) 4P	
		< DIODE >	
D1521	8-719-991-33	DIODE 1SS133T-77	
D1522	8-719-991-33	DIODE 1SS133T-77	
D1571	8-719-991-33	DIODE 1SS133T-77	
D1572	8-719-991-33	DIODE 1SS133T-77	
D1621	8-719-991-33	DIODE 1SS133T-77	
D1622	8-719-991-33	DIODE 1SS133T-77	
		< TRANSISTOR >	
Q1522	8-729-042-09	TRANSISTOR 2SA1038S-RSE-TP	
Q1523	8-729-042-09	TRANSISTOR 2SA1038S-RSE-TP	
Q1524	8-729-119-78	TRANSISTOR 2SC2785-HFE	
Q1572	8-729-042-09	TRANSISTOR 2SA1038S-RSE-TP	
Q1573	8-729-042-09	TRANSISTOR 2SA1038S-RSE-TP	
Q1574	8-729-119-78	TRANSISTOR 2SC2785-HFE	
Q1622	8-729-042-09	TRANSISTOR 2SA1038S-RSE-TP	
Q1623	8-729-042-09	TRANSISTOR 2SA1038S-RSE-TP	
Q1624	8-729-119-78	TRANSISTOR 2SC2785-HFE	
		< RESISTOR >	
R1525	1-216-065-91	METAL CHIP 4.7K 5% 1/10W	
△ R1526	1-240-855-91	CARBON 6.2K 5% 1/4W F	
R1527	1-216-055-00	METAL CHIP 1.8K 5% 1/10W	
R1528	1-216-077-91	METAL CHIP 15K 5% 1/10W	
R1529	1-216-080-00	METAL CHIP 20K 5% 1/10W	
R1530	1-216-053-00	METAL CHIP 1.5K 5% 1/10W	
R1531	1-216-089-91	METAL CHIP 47K 5% 1/10W	
R1532	1-216-077-91	METAL CHIP 15K 5% 1/10W	
R1533	1-247-871-91	CARBON 47K 5% 1/4W	
R1534	1-216-081-00	METAL CHIP 22K 5% 1/10W	
R1535	1-249-439-11	CARBON 68K 5% 1/4W	
R1536	1-216-105-91	METAL CHIP 220K 5% 1/10W	
R1575	1-216-065-91	METAL CHIP 4.7K 5% 1/10W	
△ R1576	1-240-855-91	CARBON 6.2K 5% 1/4W F	
R1577	1-216-055-00	METAL CHIP 1.8K 5% 1/10W	
R1578	1-216-077-91	METAL CHIP 15K 5% 1/10W	
R1579	1-216-080-00	METAL CHIP 20K 5% 1/10W	
R1580	1-216-053-00	METAL CHIP 1.5K 5% 1/10W	
R1581	1-216-089-91	METAL CHIP 47K 5% 1/10W	
R1582	1-216-077-91	METAL CHIP 15K 5% 1/10W	
R1583	1-247-871-91	CARBON 47K 5% 1/4W	
R1584	1-216-081-00	METAL CHIP 22K 5% 1/10W	
R1585	1-249-439-11	CARBON 68K 5% 1/4W	
R1586	1-216-105-91	METAL CHIP 220K 5% 1/10W	
R1625	1-216-065-91	METAL CHIP 4.7K 5% 1/10W	
△ R1626	1-240-855-91	CARBON 6.2K 5% 1/4W F	
R1627	1-216-055-00	METAL CHIP 1.8K 5% 1/10W	
R1628	1-216-077-91	METAL CHIP 15K 5% 1/10W	
R1629	1-216-080-00	METAL CHIP 20K 5% 1/10W	
R1630	1-216-053-00	METAL CHIP 1.5K 5% 1/10W	
R1631	1-216-089-91	METAL CHIP 47K 5% 1/10W	
R1632	1-216-077-91	METAL CHIP 15K 5% 1/10W	
R1633	1-247-871-91	CARBON 47K 5% 1/4W	
R1634	1-216-081-00	METAL CHIP 22K 5% 1/10W	
R1635	1-249-439-11	CARBON 68K 5% 1/4W	
R1636	1-216-105-91	METAL CHIP 220K 5% 1/10W	

Ref. No.	Part No.	Description	Remark
A-1530-383-A		PROTECTOR (SB) BOARD, COMPLETE	

		< CAPACITOR >	
C1822	1-128-813-11	CERAMIC 220PF 5% 50V	
C1823	1-136-153-00	MYLAR 0.01uF 5% 50V	
C1824	1-126-964-11	ELECT 10uF 20% 50V	
C1872	1-128-813-11	CERAMIC 220PF 5% 50V	
C1873	1-136-153-00	MYLAR 0.01uF 5% 50V	
C1874	1-126-964-11	ELECT 10uF 20% 50V	
		< CONNECTOR >	
CN1801	1-573-846-11	CONNECTOR, BOARD TO BOARD 14P	
* CN1861	1-564-720-11	PIN, CONNECTOR (SMALL TYPE) 4P	
* CN1871	1-573-828-11	CONNECTOR, BOARD TO BOARD 14P	
		< DIODE >	
D1821	8-719-991-33	DIODE 1SS133T-77	
D1822	8-719-991-33	DIODE 1SS133T-77	
D1871	8-719-991-33	DIODE 1SS133T-77	
D1872	8-719-991-33	DIODE 1SS133T-77	
		< TRANSISTOR >	
Q1822	8-729-042-09	TRANSISTOR 2SA1038S-RSE-TP	
Q1823	8-729-042-09	TRANSISTOR 2SA1038S-RSE-TP	
Q1824	8-729-119-78	TRANSISTOR 2SC2785-HFE	
Q1872	8-729-042-09	TRANSISTOR 2SA1038S-RSE-TP	
Q1873	8-729-042-09	TRANSISTOR 2SA1038S-RSE-TP	
Q1874	8-729-119-78	TRANSISTOR 2SC2785-HFE	
		< RESISTOR >	
R1825	1-216-065-91	METAL CHIP 4.7K 5% 1/10W	
△ R1826	1-240-855-91	CARBON 6.2K 5% 1/4W F	
R1827	1-216-055-00	METAL CHIP 1.8K 5% 1/10W	
R1828	1-216-077-91	METAL CHIP 15K 5% 1/10W	
R1829	1-216-080-00	METAL CHIP 20K 5% 1/10W	
R1830	1-216-053-00	METAL CHIP 1.5K 5% 1/10W	
R1831	1-216-089-91	METAL CHIP 47K 5% 1/10W	
R1832	1-216-077-91	METAL CHIP 15K 5% 1/10W	
R1833	1-247-871-91	CARBON 47K 5% 1/4W	
R1834	1-216-081-00	METAL CHIP 22K 5% 1/10W	
R1835	1-249-439-11	CARBON 68K 5% 1/4W	
R1836	1-216-105-91	METAL CHIP 220K 5% 1/10W	
R1875	1-216-065-91	METAL CHIP 4.7K 5% 1/10W	
△ R1876	1-240-855-91	CARBON 6.2K 5% 1/4W F	
R1877	1-216-055-00	METAL CHIP 1.8K 5% 1/10W	
R1878	1-216-077-91	METAL CHIP 15K 5% 1/10W	
R1879	1-216-080-00	METAL CHIP 20K 5% 1/10W	
R1880	1-216-053-00	METAL CHIP 1.5K 5% 1/10W	
R1881	1-216-089-91	METAL CHIP 47K 5% 1/10W	
R1882	1-216-077-91	METAL CHIP 15K 5% 1/10W	
R1883	1-247-871-91	CARBON 47K 5% 1/4W	
R1884	1-216-081-00	METAL CHIP 22K 5% 1/10W	
R1885	1-249-439-11	CARBON 68K 5% 1/4W	
R1886	1-216-105-91	METAL CHIP 220K 5% 1/10W	

STR-DA5400ES

PROTECTOR (SURR) **SPSW** **SPTM**

Ref. No.	Part No.	Description	Remark			
	A-1530-382-A	PROTECTOR (SURR) BOARD, COMPLETE *****				
		< CAPACITOR >				
C1722	1-128-813-11	CERAMIC	220PF	5%	50V	
C1723	1-136-153-00	MYLAR	0.01uF	5%	50V	
C1724	1-126-964-11	ELECT	10uF	20%	50V	
C1772	1-128-813-11	CERAMIC	220PF	5%	50V	
C1773	1-136-153-00	MYLAR	0.01uF	5%	50V	
C1774	1-126-964-11	ELECT	10uF	20%	50V	
		< CONNECTOR >				
* CN1701	1-573-828-11	CONNECTOR, BOARD TO BOARD 14P				
CN1704	1-573-846-11	CONNECTOR, BOARD TO BOARD 14P				
* CN1761	1-564-720-11	PIN, CONNECTOR (SMALL TYPE) 4P				
		< DIODE >				
D1721	8-719-991-33	DIODE 1SS133T-77				
D1722	8-719-991-33	DIODE 1SS133T-77				
D1771	8-719-991-33	DIODE 1SS133T-77				
D1772	8-719-991-33	DIODE 1SS133T-77				
		< TRANSISTOR >				
Q1722	8-729-042-09	TRANSISTOR 2SA1038S-RSE-TP				
Q1723	8-729-042-09	TRANSISTOR 2SA1038S-RSE-TP				
Q1724	8-729-119-78	TRANSISTOR 2SC2785-HFE				
Q1772	8-729-042-09	TRANSISTOR 2SA1038S-RSE-TP				
Q1773	8-729-042-09	TRANSISTOR 2SA1038S-RSE-TP				
Q1774	8-729-119-78	TRANSISTOR 2SC2785-HFE				
		< RESISTOR >				
R1725	1-216-065-91	METAL CHIP	4.7K	5%	1/10W	
△ R1726	1-240-855-91	CARBON	6.2K	5%	1/4W	F
R1727	1-216-055-00	METAL CHIP	1.8K	5%	1/10W	
R1728	1-216-077-91	METAL CHIP	15K	5%	1/10W	
R1729	1-216-080-00	METAL CHIP	20K	5%	1/10W	
R1730	1-216-053-00	METAL CHIP	1.5K	5%	1/10W	
R1731	1-216-089-91	METAL CHIP	47K	5%	1/10W	
R1732	1-216-077-91	METAL CHIP	15K	5%	1/10W	
R1733	1-247-871-91	CARBON	47K	5%	1/4W	
R1734	1-216-081-00	METAL CHIP	22K	5%	1/10W	
R1735	1-249-439-11	CARBON	68K	5%	1/4W	
R1736	1-216-105-91	METAL CHIP	220K	5%	1/10W	
R1775	1-216-065-91	METAL CHIP	4.7K	5%	1/10W	
△ R1776	1-240-855-91	CARBON	6.2K	5%	1/4W	F
R1777	1-216-055-00	METAL CHIP	1.8K	5%	1/10W	
R1778	1-216-077-91	METAL CHIP	15K	5%	1/10W	
R1779	1-216-080-00	METAL CHIP	20K	5%	1/10W	
R1780	1-216-053-00	METAL CHIP	1.5K	5%	1/10W	
R1781	1-216-089-91	METAL CHIP	47K	5%	1/10W	
R1782	1-216-077-91	METAL CHIP	15K	5%	1/10W	
R1783	1-247-871-91	CARBON	47K	5%	1/4W	
R1784	1-216-081-00	METAL CHIP	22K	5%	1/10W	
R1785	1-249-439-11	CARBON	68K	5%	1/4W	
R1786	1-216-105-91	METAL CHIP	220K	5%	1/10W	

Ref. No.	Part No.	Description	Remark			
	A-1252-357-A	SPSW BOARD, COMPLETE *****				
		< DIODE >				
D711	6-501-817-01	DIODE MA2J1110GLS0				
D712	6-501-817-01	DIODE MA2J1110GLS0				
		< RESISTOR >				
R780	1-216-025-11	METAL CHIP	100	5%	1/10W	
R781	1-216-025-11	METAL CHIP	100	5%	1/10W	
R782	1-216-089-91	METAL CHIP	47K	5%	1/10W	
R783	1-216-089-91	METAL CHIP	47K	5%	1/10W	
		< SWITCH >				
S724	1-762-684-11	SWITCH, ROTARY (SPEAKERS)				

		SPTM BOARD *****				
		< CAPACITOR >				
C4101	1-137-395-91	MYLAR	0.022uF	5%	100V	
C4102	1-137-395-91	MYLAR	0.022uF	5%	100V	
C4103	1-137-395-91	MYLAR	0.022uF	5%	100V	
C4104	1-137-395-91	MYLAR	0.022uF	5%	100V	
C4105	1-163-251-11	CERAMIC CHIP	100PF	5%	50V	
C4106	1-163-251-11	CERAMIC CHIP	100PF	5%	50V	
C4107	1-163-251-11	CERAMIC CHIP	100PF	5%	50V	
C4108	1-163-251-11	CERAMIC CHIP	100PF	5%	50V	
C4109	1-115-339-11	CERAMIC CHIP	0.1uF	10%	50V	
C4110	1-115-339-11	CERAMIC CHIP	0.1uF	10%	50V	
		< CONNECTOR >				
CX4101	1-785-105-11	PIN, CONNECTOR (3.96mm PITCH) 7P				
CX4102	1-785-104-11	PIN, CONNECTOR (3.96mm PITCH) 6P				
CX4103	1-784-921-11	PIN, CONNECTOR 4P				
		< DIODE >				
D4101	6-501-817-01	DIODE MA2J1110GLS0				
D4102	6-501-817-01	DIODE MA2J1110GLS0				
		< TRANSISTOR >				
Q4101	8-729-230-49	TRANSISTOR 2SC2712-YG				
Q4102	8-729-230-49	TRANSISTOR 2SC2712-YG				
		< RESISTOR >				
R4101	1-208-445-41	RES-CHIP	2.2K	2%	1/10W	
R4102	1-208-445-41	RES-CHIP	2.2K	2%	1/10W	
△ R4103	1-249-393-91	CARBON	10	5%	1/4W	F
R4104	1-208-462-41	RES-CHIP	10K	2%	1/10W	
△ R4105	1-249-393-91	CARBON	10	5%	1/4W	F
R4106	1-208-462-41	RES-CHIP	10K	2%	1/10W	
△ R4107	1-249-393-91	CARBON	10	5%	1/4W	F
△ R4108	1-249-393-91	CARBON	10	5%	1/4W	F
△ R4109	1-249-393-91	CARBON	10	5%	1/4W	F
△ R4110	1-249-393-91	CARBON	10	5%	1/4W	F
		< RELAY >				
RY4101	1-515-920-11	RELAY (24V)				
RY4102	1-515-920-11	RELAY (24V)				

SPTM

TEMPERATURE DETECTION

VIDEO 3

Ref. No.	Part No.	Description	Remark
		< TERMINAL >	
△ TM4101	1-780-404-11	TERMINAL BOARD (SP) (8P)(SPEAKERS SURROUND/SURROUND BACK (ZONE 2))	

		TEMPERATURE DETECTION BOARD	

		< CAPACITOR >	
C1909	1-127-888-11	CERAMIC 0.1uF 10% 50V	
C1910	1-135-800-11	CERAMIC 1uF 50V	
C1913	1-135-800-11	CERAMIC 1uF 50V	
		< DIODE >	
D1906	8-719-109-93	DIODE RD6.2ESB2	
		< IC >	
△ IC1903	6-710-072-01	IC LM61CIZ/LFT2	
△ IC1905	6-710-072-01	IC LM61CIZ/LFT2	
		< RESISTOR >	
R1928	1-249-414-11	CARBON 560 5% 1/4W	

		VIDEO 3 BOARD	

		< CAPACITOR >	
C757	1-104-665-11	ELECT 100uF 20% 25V	
C758	1-104-665-11	ELECT 100uF 20% 25V	
C759	1-163-025-11	CERAMIC CHIP 0.001uF 50V	
C760	1-163-025-11	CERAMIC CHIP 0.001uF 50V	
C761	1-165-319-11	CERAMIC CHIP 0.1uF 50V	
C762	1-163-021-91	CERAMIC CHIP 0.01uF 10% 50V	
C763	1-163-021-91	CERAMIC CHIP 0.01uF 10% 50V	
C764	1-165-319-11	CERAMIC CHIP 0.1uF 50V	
C765	1-163-139-00	CERAMIC CHIP 820PF 5% 50V	
C766	1-163-139-00	CERAMIC CHIP 820PF 5% 50V	
C767	1-163-251-11	CERAMIC CHIP 100PF 5% 50V	
C768	1-163-259-91	CERAMIC CHIP 220PF 5% 50V	
C769	1-163-259-91	CERAMIC CHIP 220PF 5% 50V	
		< CONNECTOR >	
CN721	1-784-923-11	PIN, CONNECTOR 7P	
CN723	1-779-978-11	PIN, CONNECTOR 3P	
CN725	1-784-922-11	PIN, CONNECTOR 5P	
CN728	1-564-705-11	PIN, CONNECTOR (SMALL TYPE) 3P	
		< DIODE >	
D713	6-501-817-01	DIODE MA2J1110GLS0	
D714	6-501-817-01	DIODE MA2J1110GLS0	
D715	6-501-817-01	DIODE MA2J1110GLS0	
D716	6-501-817-01	DIODE MA2J1110GLS0	
		< EARTH TERMINAL >	
* ET702	1-537-738-21	TERMINAL, EARTH	
* ET703	1-537-738-21	TERMINAL, EARTH	
		< IC >	
IC706	8-759-710-97	IC NJM4565M-D	

Ref. No.	Part No.	Description	Remark
IC707	6-600-219-01	IC GP1FM313RZ0F(VIDEO 2 IN/ PORTABLE AV IN DIGITAL (OPT))	
		< JACK >	
J702	1-815-313-11	JACK (PHONES)	
J703	1-770-571-11	JACK BLOCK, PIN (L TYPE) 3P (VIDEO 2 IN/ PORTABLE AV IN AUDIO/VIDEO)	
		< RESISTOR >	
R762	1-216-025-11	METAL CHIP 100 5% 1/10W	
R763	1-216-049-11	METAL CHIP 1K 5% 1/10W	
R764	1-216-049-11	METAL CHIP 1K 5% 1/10W	
R765	1-211-990-11	METAL CHIP 75 0.5% 1/10W	
R768	1-216-089-91	METAL CHIP 47K 5% 1/10W	
R769	1-216-089-91	METAL CHIP 47K 5% 1/10W	
R770	1-216-295-91	SHORT CHIP 0	
R774	1-216-295-91	SHORT CHIP 0	
R775	1-216-295-91	SHORT CHIP 0	
R776	1-216-295-91	SHORT CHIP 0	
R785	1-216-295-91	SHORT CHIP 0	

STR-DA5400ES

Ref. No.	Part No.	Description	Remark
		MISCELLANEOUS *****	
3	1-500-386-11	FILTER, CLAMP (FERRITE CORE) (US, CND)	
52	1-693-728-31	TUNER (FM/AM) (US, CND)	
52	1-693-737-21	TUNER (FM/AM) (AEP, ECE, UK)	
55	1-828-327-51	WIRE (FLAT TYPE) (13 CORE)	
103	1-500-082-11	CLAMP, SLEEVE FERRITE (US, CND)	
108	1-500-386-11	FILTER, CLAMP (FERRITE CORE)	
252	1-500-386-11	FILTER, CLAMP (FERRITE CORE)	
304	1-823-669-51	WIRE (FLAT TYPE) (11 CORE) (AEP, ECE, UK)	
304	1-828-956-51	WIRE (FLAT TYPE) (9 CORE) (US, CND)	
△ 405	1-821-082-21	INLET, AC 2P (~AC IN)	
△ F001	1-532-504-33	FUSE (T4AL/250V) (AEP, ECE, UK)	
△ F001	1-533-311-12	FUSE, GLASS CYLINDRICAL (DIA.5) (8A/125V) (US, CND)	
△ F03	1-533-420-12	FUSE, GLASS CYLINDRICAL (DIA.5) (5A/125V) (US, CND)	
△ F1403	1-532-504-33	FUSE (T4AL/250V)	
△ F1404	1-532-504-33	FUSE (T4AL/250V)	
△ F1405	1-532-506-33	FUSE (T6.3AL/250V)	
Q1507	8-729-051-92	TRANSISTOR 2SD2560	
Q1508	8-729-051-93	TRANSISTOR 2SB1647	
Q1521	8-729-026-08	TRANSISTOR 2SC4495	
Q1557	8-729-051-92	TRANSISTOR 2SD2560	
Q1558	8-729-051-93	TRANSISTOR 2SB1647	
Q1571	8-729-026-08	TRANSISTOR 2SC4495	
Q1607	8-729-051-92	TRANSISTOR 2SD2560	
Q1608	8-729-051-93	TRANSISTOR 2SB1647	
Q1621	8-729-026-08	TRANSISTOR 2SC4495	
Q1707	8-729-051-92	TRANSISTOR 2SD2560	
Q1708	8-729-051-93	TRANSISTOR 2SB1647	
Q1721	8-729-026-08	TRANSISTOR 2SC4495	
Q1757	8-729-051-92	TRANSISTOR 2SD2560	
Q1758	8-729-051-93	TRANSISTOR 2SB1647	
Q1771	8-729-026-08	TRANSISTOR 2SC4495	
Q1807	8-729-051-92	TRANSISTOR 2SD2560	
Q1808	8-729-051-93	TRANSISTOR 2SB1647	
Q1821	8-729-026-08	TRANSISTOR 2SC4495	
Q1857	8-729-051-92	TRANSISTOR 2SD2560	
Q1858	8-729-051-93	TRANSISTOR 2SB1647	
Q1871	8-729-026-08	TRANSISTOR 2SC4495	
△ T1	1-445-239-11	TRANSFORMER, POWER (AEP, ECE, UK)	
△ T1	1-445-471-11	POWER SOURCE TRANSFORMER (US, CND)	

Ref. No.	Part No.	Description	Remark
		ACCESSORIES *****	
1-501-374-12		ANTENNA, LOOP (AM loop antenna (aerial))	
1-501-807-12		ANTENNA (FM) (FM wire antenna (aerial)) (AEP, ECE, UK)	
1-542-644-21		MEASUREMENT MIC (STEREO) (Optimizer microphone: ECM-AC1)	
1-793-184-23		CONNECTOR (F TYPE ADAPTOR) (FM wire antenna (aerial)) (US, CND)	
△ 1-824-964-13		CORD, POWER (AC power cord (mains lead)) (US, CND)	
△ 1-831-474-11		CORD, POWER (AC power cord (mains lead)) (AEP, ECE)	
△ 1-833-794-11		CORD, POWER (AC power cord (mains lead)) (UK)	
3-874-953-11		MANUAL, INSTRUCTION (GREEK) (AEP, ECE)	
3-874-953-21		MANUAL, INSTRUCTION (HUNGARIAN, CZECH) (AEP, ECE)	
3-874-953-31		MANUAL, INSTRUCTION (TURKISH) (AEP, ECE)	
3-874-953-41		MANUAL, INSTRUCTION (SLOVAKIAN) (AEP, ECE)	
3-875-810-13		MANUAL, INSTRUCTION (ENGLISH, FRENCH)	
3-875-810-22		MANUAL, INSTRUCTION (SPANISH, GERMAN) (AEP, ECE)	
3-875-810-32		MANUAL, INSTRUCTION (DUTCH, ITALIAN) (AEP, ECE)	
3-875-810-42		MANUAL, INSTRUCTION (SWEDISH, POLISH) (AEP, ECE)	
3-875-810-51		MANUAL, INSTRUCTION (DANISH, FINNISH) (AEP, ECE)	
3-875-810-61		MANUAL, INSTRUCTION (PORTUGUESE) (AEP, ECE)	
3-875-810-71		MANUAL, INSTRUCTION (RUSSIAN) (AEP, ECE)	
A-1542-905-A		RM-AAP027 (Zone2/Zone3 remote commander)	
A-1542-907-A		RM-AAL013 (Main remote commander) (US, CND)	
A-1542-908-A		RM-AAL014 (Main remote commander) (AEP, ECE, UK)	

MEMO

